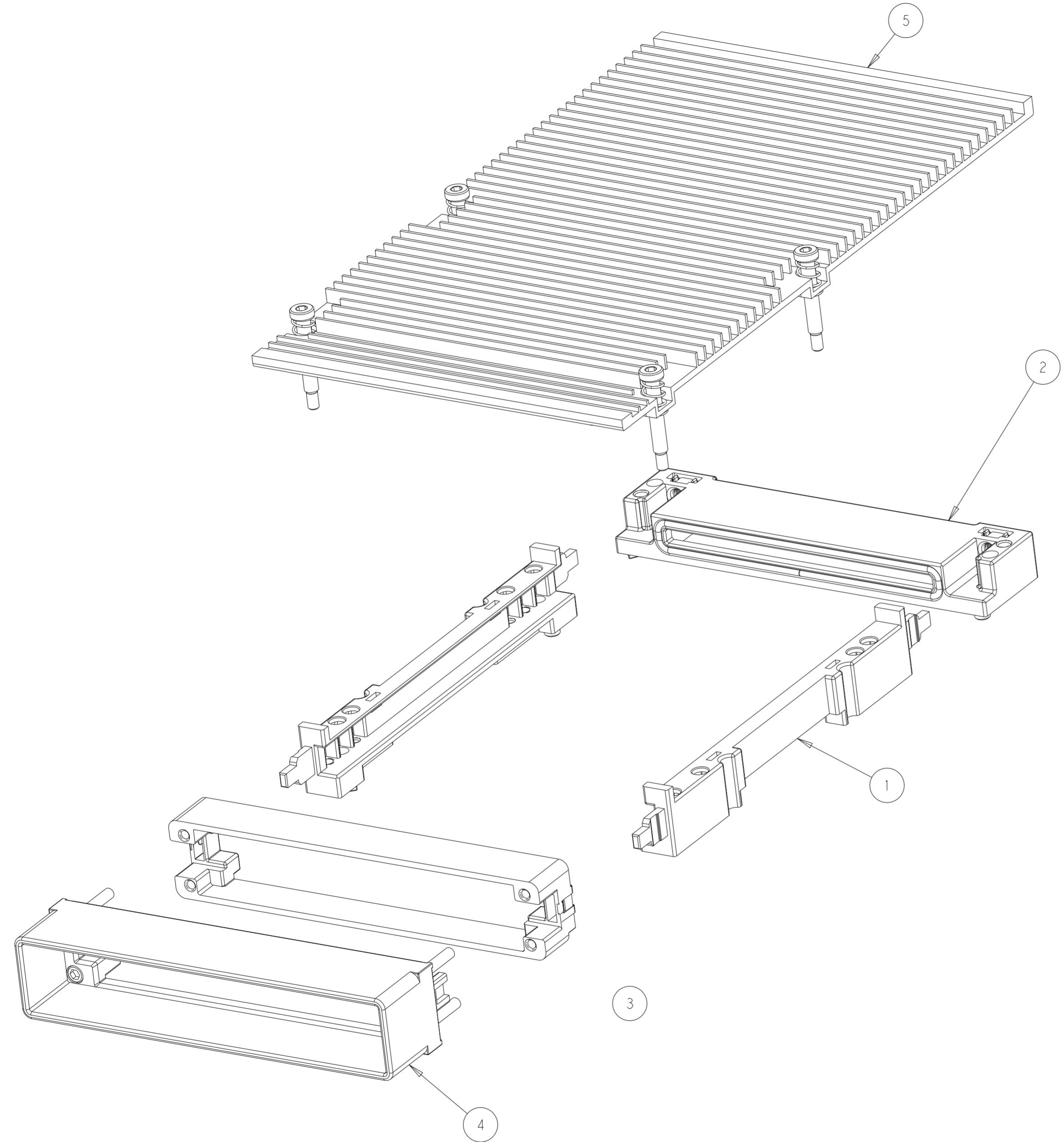


THIS DRAWING IS UNPUBLISHED. RELEASED FOR PUBLICATION 20
 © COPYRIGHT 20 BY - ALL RIGHTS RESERVED.

REVISIONS				
P	LTR	DESCRIPTION	DATE	APVD
1		INITIAL	19FEB2016	PP SH
2		UPDATE BOM	14JUN2016	PP SH
3		ADD-2	09OCT2016	PP SH



THIS PRINT IS
PRELIMINARY
 UNQUALIFIED PRODUCT
 CONTACT PRODUCT ENGINEERING
 BEFORE USING THIS PRINT

1	-	2274283-5	HEAT SINK ASSEMBLY	5
-	1	2274283-3		
1	1	2169710-1	EXTERNAL BRACKET ASSEMBLY	4
1	1	2057930-1	BACKER PLATE ASSEMBLY	3
1	1	2057631-1	CONNECTOR COVER ASSEMBLY	2
2	2	2057592-2	GUIDE RAIL	1
-2	-1	PART NUMBER	DESCRIPTION	ITEM NO

THIS DRAWING IS A CONTROLLED DOCUMENT.		DWN PETER PAN 19FEB2016	STE TE Connectivity	
		CHK SEAN HAN 19FEB2016		
		APVD SEAN HAN 19FEB2016	NAME CFP HARDWARE KIT W/ HEATSINK, SIDE TO SIDE AIRFLOW	
DIMENSIONS: mm		PRODUCT SPEC 108-2399	SIZE A2	
TOLERANCES UNLESS OTHERWISE SPECIFIED:		APPLICATION SPEC 114-13263	CAGE CODE -	
0 PLC ±-		WEIGHT -	DRAWING NO C-2300837	
1 PLC ±0.5		RESTRICTED TO -		
2 PLC ±0.13		SCALE 3:2 SHEET 1 OF 1 REV 4		
3 PLC ±0.013				
4 PLC ±0.0001				
ANGLES ±-				
FINISH -				
MATERIAL -		CUSTOMER DRAWING		