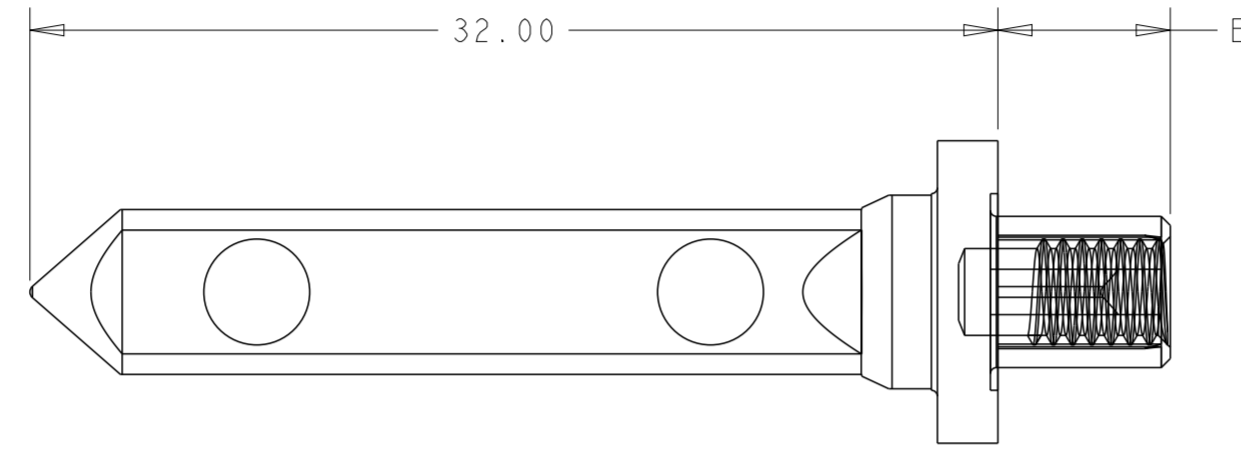
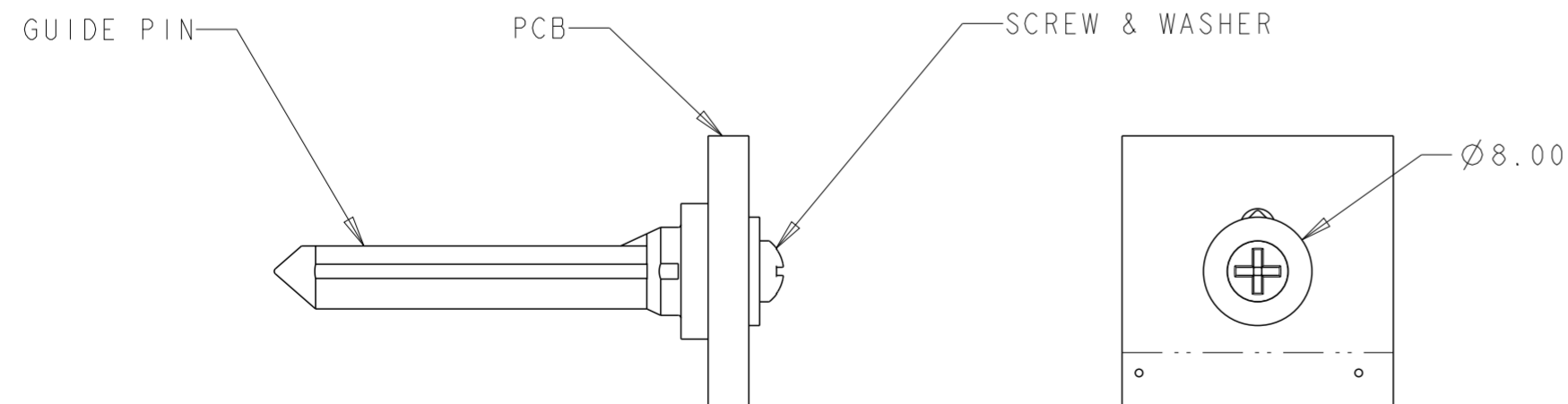
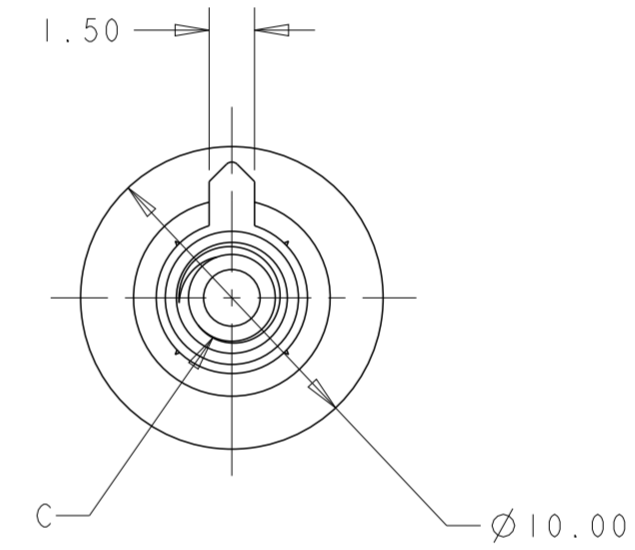
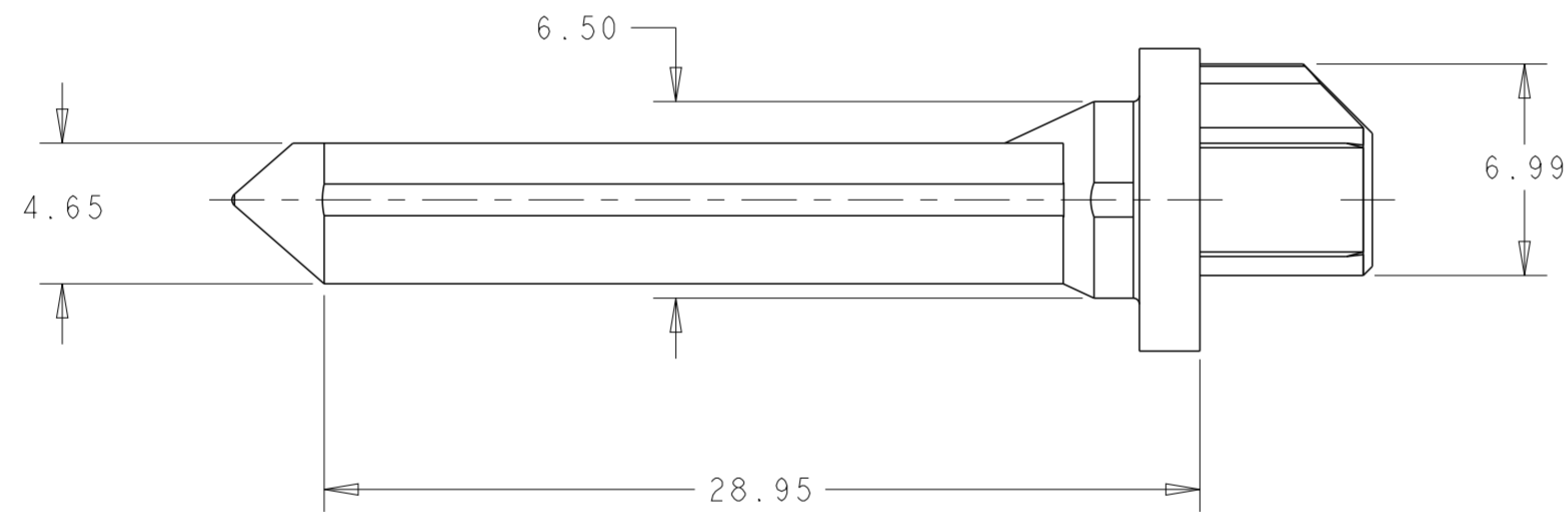
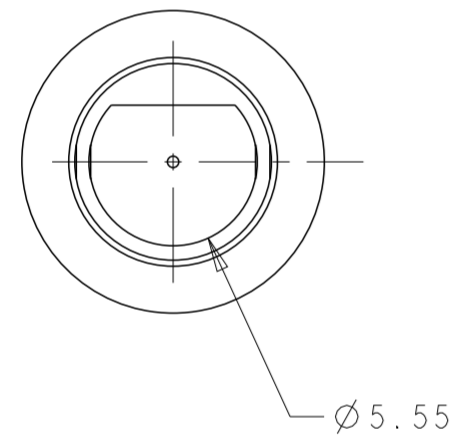


P	LTR	DESCRIPTION	DATE	DWN	APVD
A4		REV PER ECR-16-000382	09MAR2021	ML	SH
A5		REVISED PER ECN-24-294057	19NOV2024	AP	AL



- 1 MATERIAL: ZINC ALLOY
- 2 FINISH: CHROMATE
- 3 KEY HOLE ORIENTATION (DIM A) PER MATING GUIDE MODULE PART NUMBER TABLE (ORIENTATION SHOWN ON PCB LAYOUT IS FOR 1410297-2 & 1-1410297-2)
- 4 OPTIONAL ANNULAR RING MAY BE PLATED AROUND GUIDE PIN MOUNTING HOLE ON BOTTOM SIDE OF BOARD
- 5 FINISH: NICKEL PLATING OVER COPPER BASED-PLATING.



RECOMMENDED APPLICATION VIEW  
P/N: 1410548-\*

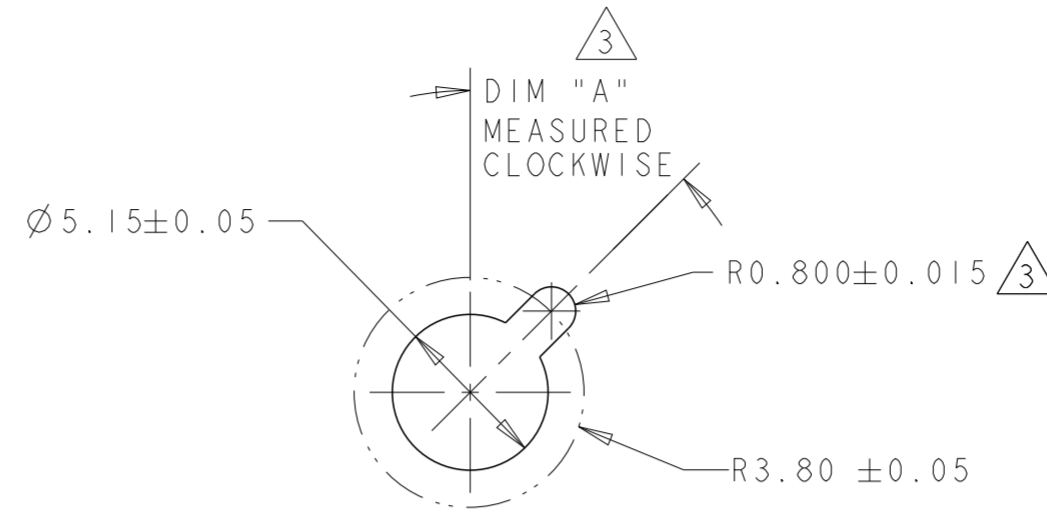
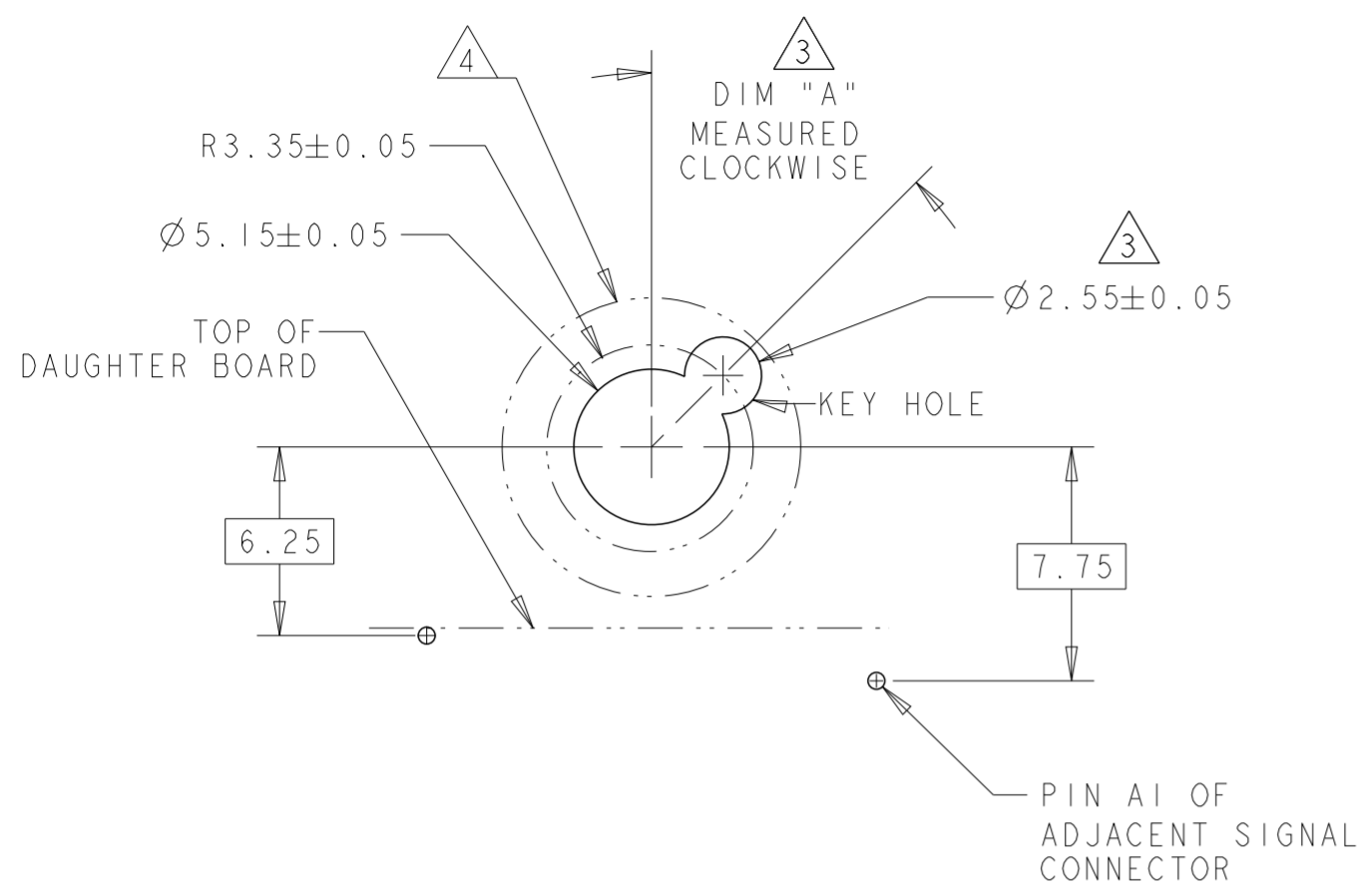
SCALE 2:1

PRELIMINARY	M2.5X0.45	M2.5X0.45-6H X5.50 DEEP	2.60	5	1	1410548-5
	NO	M2.5X0.45-6H X5.50 DEEP	2.60	5	1	1410548-4
OBSOLETE	NO	M3.5X0.6-6H X4.5 DEEP	5.70	5	1	1410548-3
	NO	M3.5X0.6-6H X4.5 DEEP	5.70	2	1	1410548-2
	SCREW SPEC.	C	B	FINISH	MATERIAL	PART NUMBER

THIS DRAWING IS A CONTROLLED DOCUMENT.

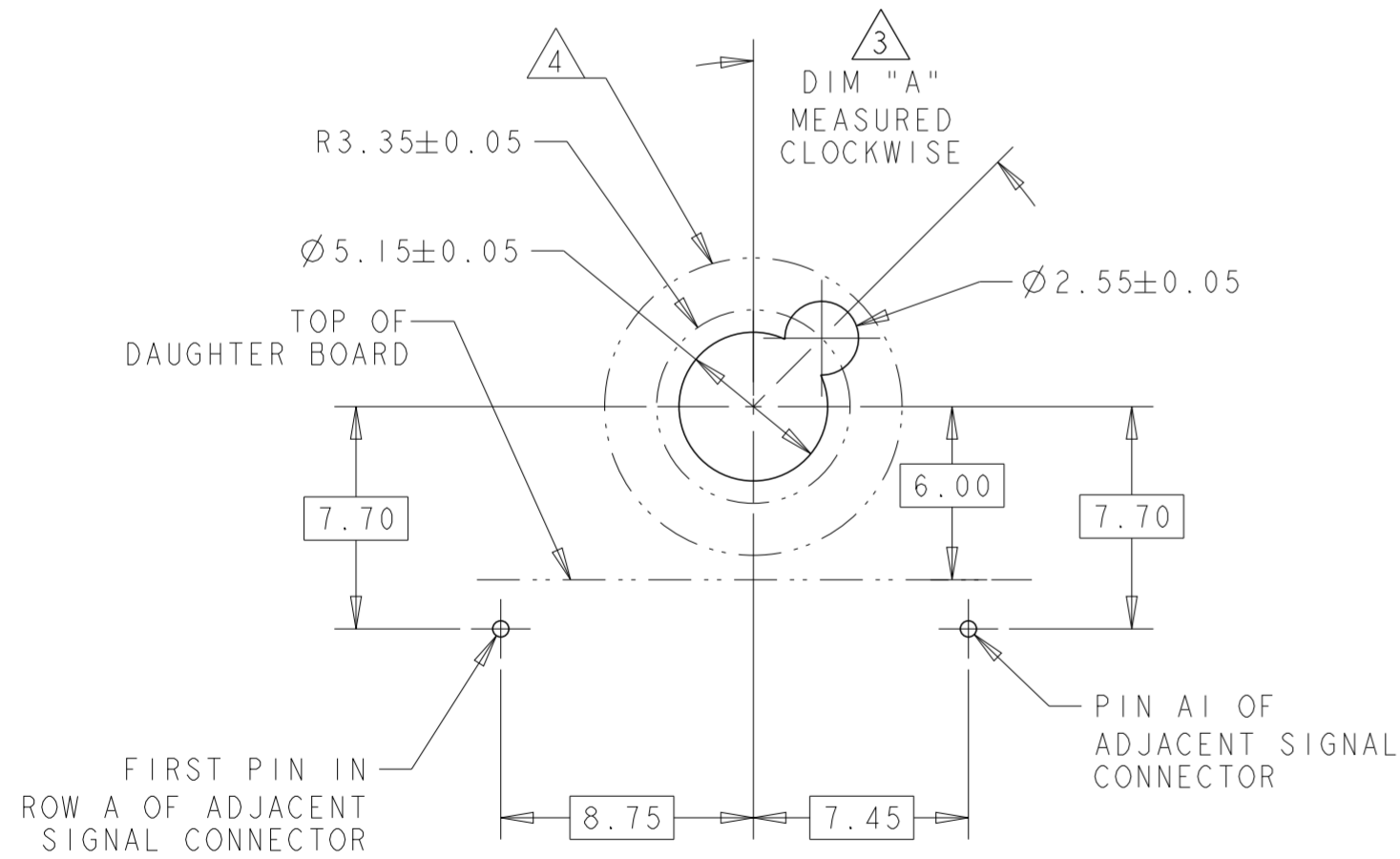
DIMENSIONS: mm	TOLERANCES UNLESS OTHERWISE SPECIFIED: 0 PLC ± 1 PLC ±0.5 2 PLC ±0.13 3 PLC ±0.013 4 PLC ±0.0001 ANGLES ±0°'30"	DWN D.E. STAHL 02NOV2000 CHK N. SCHROLL 02NOV2000 APVD N. SCHROLL 02NOV2000	TE Connectivity		
MATERIAL	FINISH	PRODUCT SPEC	NAME KEYED GUIDE PIN MULTIGIG BACKPLANE CONN		
		APPLICATION SPEC	SIZE	CAGE CODE	DRAWING NO
		114-13056	A2	00779	C-1410548
		WEIGHT	SCALE 4:1		SHEET 1 OF 2
		CUSTOMER DRAWING	REV A5		

P	LTR	DESCRIPTION	DATE	DWN	APVD
-	-	SEE SHEET 1	-	-	-

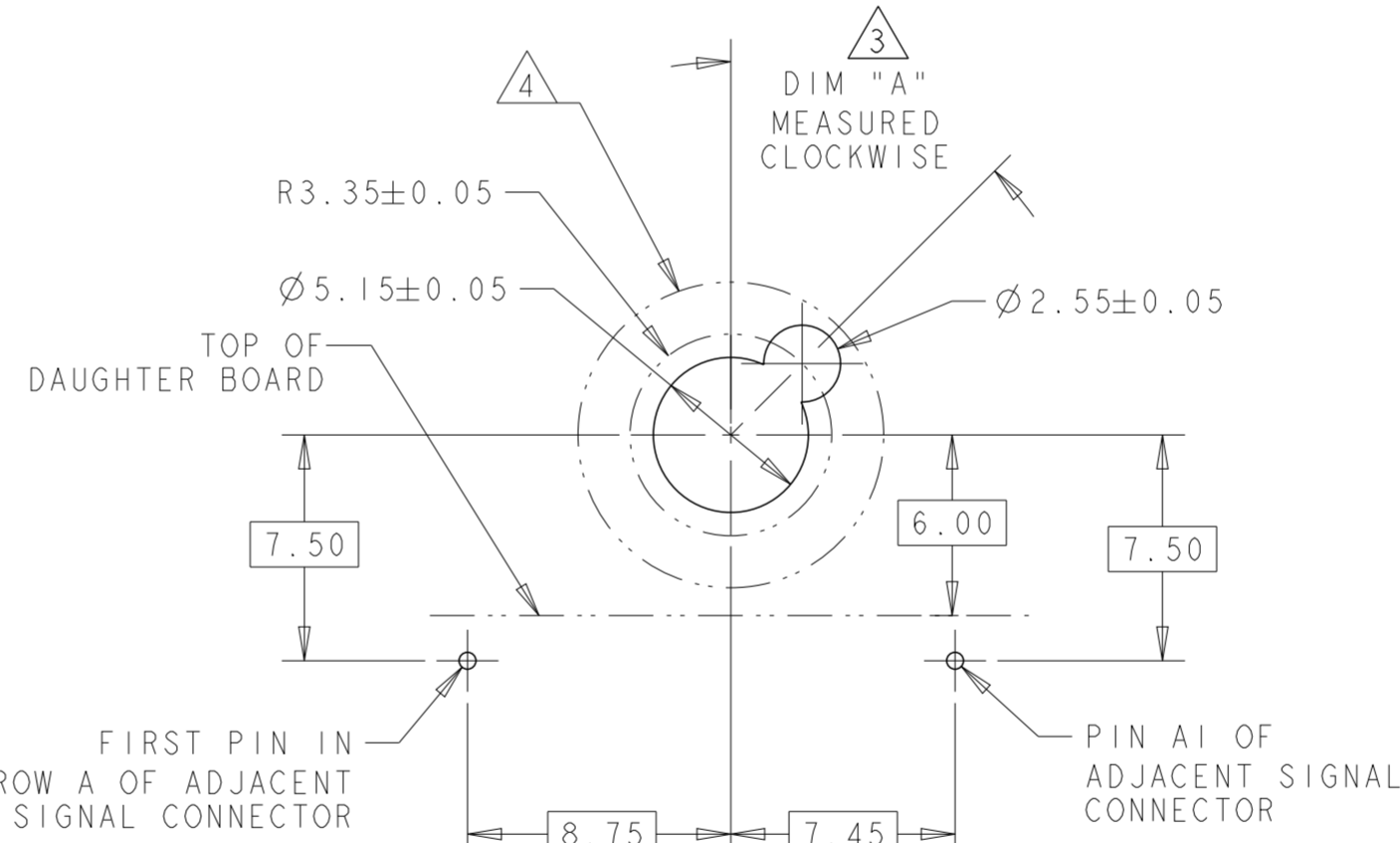


ALTERNATE PCB LAYOUT FOR GUIDE POST SCALE 4:1

TIER 1  
GUIDE PIN FOOTPRINT  
(20.3 & 25.4mm SIGNAL MODULES)  
SCALE 4:1



TIER 2  
GUIDE PIN FOOTPRINT  
(20.3mm SIGNAL MODULES)  
SCALE 4:1



TIER 2  
GUIDE PIN FOOTPRINT  
(25.4mm SIGNAL MODULES)  
SCALE 4:1

5	315°	1-1410297-8
5	270°	1-1410297-7
5	225°	1-1410297-6
5	180°	1-1410297-5
5	135°	1-1410297-4
5	90°	1-1410297-3
5	45°	1-1410297-2
5	0°	1-1410297-1
2	315°	1410297-8
2	270°	1410297-7
2	225°	1410297-6
2	180°	1410297-5
2	135°	1410297-4
2	90°	1410297-3
2	45°	1410297-2
2	0°	1410297-1
FINISH	DIM "A"	20.3mm GUIDE MODULE
		MATING GUIDE MODULE 3

THIS DRAWING IS A CONTROLLED DOCUMENT.

DIMENSIONS:	TOLERANCES UNLESS OTHERWISE SPECIFIED:	DWN	02NOV2000
mm	0 PLC ±	CHK	D. E. STAHL 02NOV2000
	1 PLC ±0.5	APVD	N. SCHROLL 02NOV2000
	2 PLC ±0.13	PRODUCT SPEC	N. SCHROLL 02NOV2000
	3 PLC ±0.013	APPLICATION SPEC	114-13056
	4 PLC ±0.0001	WEIGHT	-
	ANGLES ±0°'30"	CUSTOMER DRAWING	
MATERIAL	FINISH	SCALE	4:1
		SHEET	2 OF 2
		REV	A5

TE Connectivity

NAME: KEYED GUIDE PIN MULTIGIG BACKPLANE CONN

SIZE: A2 CAGE CODE: 00779 DRAWING NO: 1410548 RESTRICTED TO: -