

**MODEL:** PJ-047AH | **DESCRIPTION:** DC POWER JACK**FEATURES**

- 2.0 mm center pin
- 5.0 A rating
- right angle orientation
- through hole
- shielded

**SPECIFICATIONS**

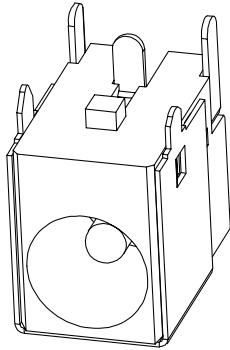
parameter	conditions/description	min	typ	max	units
rated input voltage			24		Vdc
rated input current				5.0	A
contact resistance				30	mΩ
insulation resistance	at 250 Vdc	100			MΩ
voltage withstand	for 1 minute			500	Vac
insertion/withdrawal force		0.3		3	kg
operating temperature		-25		85	°C
life			5,000		cycles
flammability rating	UL94V-0				
RoHS	yes				

**SOLDERABILITY**

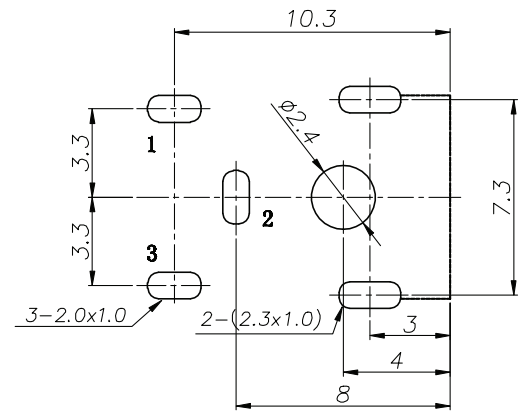
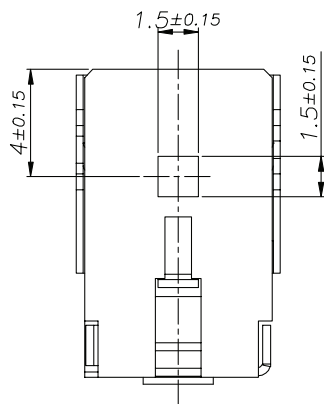
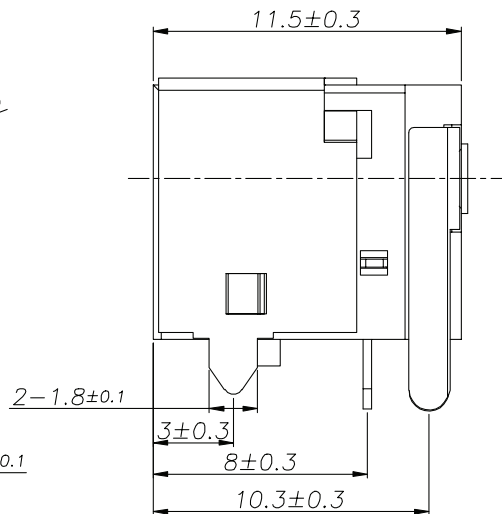
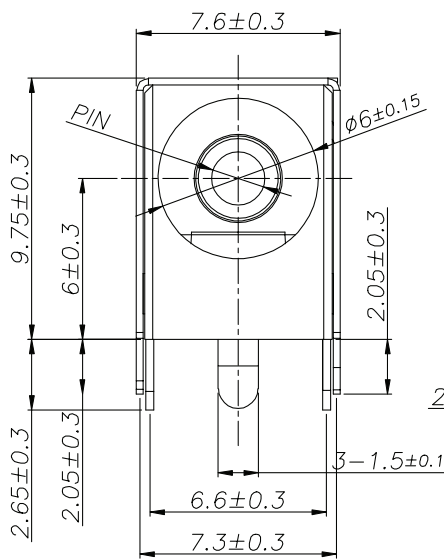
parameter	conditions/description	min	typ	max	units
hand soldering	for 3±1 seconds	375	380	385	°C
wave soldering	dipped in solder pot for 4~6 seconds		250		°C

## MECHANICAL DRAWING

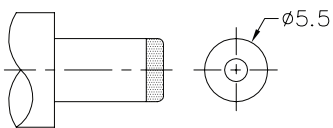
units: mm  
 tolerance:  $\pm 0.30$  mm  
 PCB:  $\pm 0.05$  mm  
 unless otherwise specified



DESCRIPTION	MATERIAL	PLATING/COLOR
center pin	brass	nickel
terminal 1	brass t=0.30	silver
terminal 2	SUS301 t=0.30	silver
terminal 3	brass t=0.30	silver
shield	brass t=0.25	nickel
housing	PBT (UL94V-0)	black



Recommended PCB Layout  
Top View



MATING PLUG  
Jack Insertion Depth: 8.2 mm

SCHEMATIC	
Model	PJ-047AH
Center Pin	Ø2.0 mm

## REVISION HISTORY

rev.	description	date
1.0	initial release	07/30/2007
1.01	shield plating material changed from Tin to Nickel	09/30/2009
1.02	applied new spec template	01/02/2014
1.03	increased voltage rating	04/14/2016
1.04	brand update	10/29/2019
1.05	logo, datasheet style update	08/05/2022
1.06	product reengineered for improved manufacturability and production yield, see PCN for details	02/23/2023
1.07	added hand soldering conditions	04/26/2024
1.08	CUI Devices rebranded to Same Sky	09/12/2024

The revision history provided is for informational purposes only and is believed to be accurate.



Same Sky offers a one (1) year limited warranty. Complete warranty information is listed on our website.

Same Sky reserves the right to make changes to the product at any time without notice. Information provided by Same Sky is believed to be accurate and reliable. However, no responsibility is assumed by Same Sky for its use, nor for any infringements of patents or other rights of third parties which may result from its use.

Same Sky products are not authorized or warranted for use as critical components in equipment that requires an extremely high level of reliability. A critical component is any component of a life support device or system whose failure to perform can be reasonably expected to cause the failure of the life support device or system, or to affect its safety or effectiveness.

[sameskydevices.com](https://www.sameskydevices.com)