

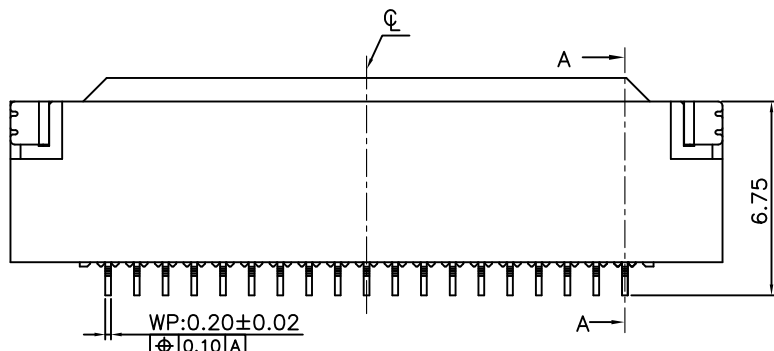
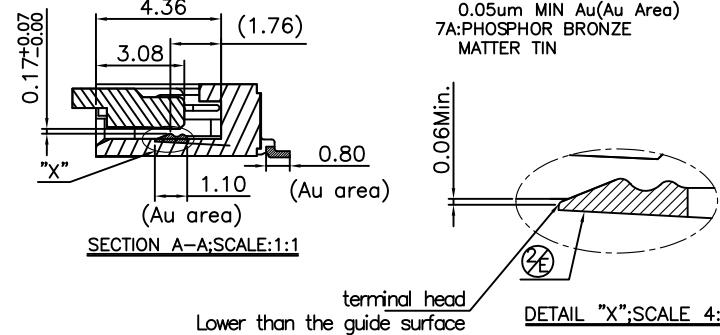
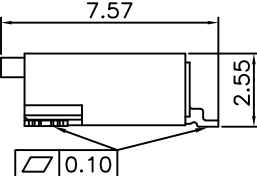
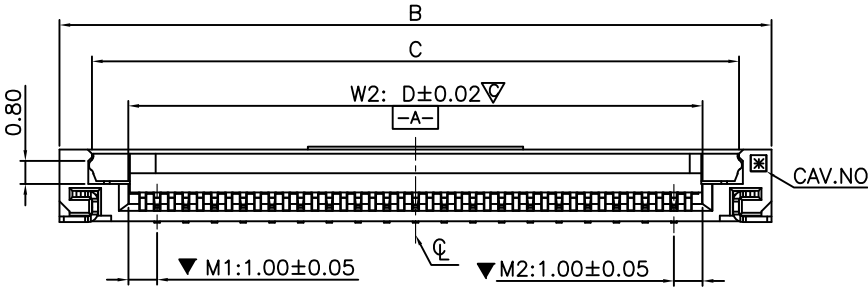
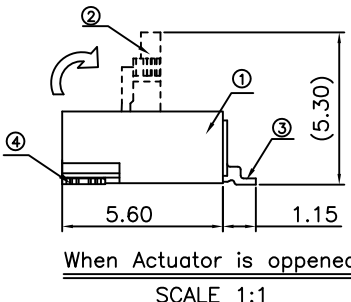
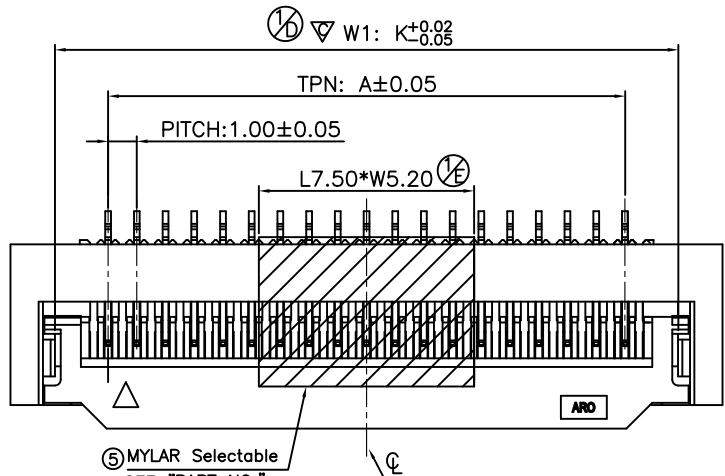
REV.	ECR/ECN No.	DESCRIPTION	DRAWN/DATE	CHECKED/DATE	APPROVED/DATE
D	/	Update the tolerance	May 2015-01-13	Rain 2015-01-13	Hongkui.Liu 2015-01-13
E	/	Improve the retaining force of FFC/FPC and change the shape of the terminal head	May 2016-04-13	Rain 2016-04-13	Hongkui.Liu 2016-04-13
F	/	The customer requires the material number to be upgraded	May 2016-05-13	Rain 2016-05-13	Hongkui.Liu 2016-05-13
G	/	Update the drawing frame	May 2019-11-29	Rain 2019-11-29	Hongkui.Liu 2019-11-29

SPECIFICATION

- CONTACT RESISTANCE : 30mΩ MAX.;
- DIELECTRIC WITHSTANDING VOLTAGE; 500V AC R.M.S. FOR 1 MINUTE;
- INSULATION RESISTANCE : 500MΩ MIN;
- "▽" IS IMPORTANT DIMENSION;
- "▽"NOTATION FOR CPK AND X-R TEST SIZE
- ALL MATERIAL MUST BE COMPLY WITH SS-00259 OR RoHS.
- PART NO.:

F51L-1\*7\*1-\*10\*\*  
 (F) F51L-1\*7\*1-\*10\*\*-E\*10(upgraded PN)

- 1A:LCP Natural
- 1B:LCP Black
- 1:WITH MYLAR
- 2:WITHOUT MYLAR
- NO. OF POSITIONS
- 1:Containing halogen
- 2:halogen-free
- 7H:PHOSPHOR BRONZE 0.05um MIN Au(Au Area)
- 7A:PHOSPHOR BRONZE MATTER TIN



NO.	COMPONENTS	MATERIALS	FINISH/COLOR SPECIFICATION	QTY.
1	HOUSING	Liquid crystal polymer	Natural or Black(UL94V-0);	1
2	ACTUATOR	Polyamide 9T	black(UL94V-0);	1
3	CONTACT	Phosphor Bronze T=0.20mm	UNDER PLATING:1~3um Ni SURFACE SELECT PLATING:SEE PART NO.	N
4	ANCHOR-PLATE	Brass T=0.20mm	2~4um Tin PLATING 1~3um Ni UNDERPLATING	2
5	MYLAR	T=0.10mm THERMOSTABLE	YELLOW	1

UNLESS OTHERWISE SPECIFIED TOLERANCES		ANGLE OF PROJECTION		 Amphenol Aorora Technology (Huizhou) Co.,Ltd	
X.	±0.30	X.°	± 5'		
X.X	±0.25	X.X°	± 4'	DOC Customer Drw	
X.XX	±0.20	X.XX°	± 3'		DRAWN DATE May 2019-11-29
X.XXX	±0.15	X.XXX°	± 2'	DESIGN DATE May 2019-11-29	
LINEAR DIMS		ANGLES DIMS			CHECKED DATE Rain 2019-11-29
DWG NO.: A-S0121		APPROVED DATE Hongkui.Liu 2019-11-29		TITLE: Assembly Drawing For 1.0mm pitch Front side filp, with lock,H2.55mm(4~19PIN)	
MATERIAL SEE NOTES		PART NUMBER: F51L-1*7*1-*10** F51L-1*7*1-*10**-E*10			REV. G
FINISHED SEE NOTES		SCALE 4:1		UNIT : mm SHEET 1 OF 2	

This document is the property of and embodies CONFIDENTIAL and PROPRIETARY information of AMOR. No part of the information shown on this document may be used in any way or disclosed to others without the written consent of AMOR. © 2019 AMOR



1 | 2 | 3 | 4

1. FFC PATTERN DIMENSION

FFC TYPE I

FFC TYPE II

2. P.C.B LAYOUT, TOL: ±0.05

RECOMMENDED P.C.BOARD PATTERN DIMENSION(REF.)  
COMPONENT SIDE

DIMENSION LIST:

NO. OF POS.	A	B	C	D	F	G	H	J	K
4	3.0	9.8	7.54	5.0	5.0	6.6	10.1	6.5	6.72
5	4.0	10.8	8.54	6.0	6.0	7.6	11.1	7.5	7.72
6	5.0	11.8	9.54	7.0	7.0	8.6	12.1	8.5	8.72
7	6.0	12.8	10.54	8.0	8.0	9.6	13.1	9.5	9.72
8	7.0	13.8	11.54	9.0	9.0	10.6	14.1	10.5	10.72
9	8.0	14.8	12.54	10.0	10.0	11.6	15.1	11.5	11.72
10	9.0	15.8	13.54	11.0	11.0	12.6	16.1	12.5	12.72
11	10.0	16.8	14.54	12.0	12.0	13.6	17.1	13.5	13.72
12	11.0	17.8	15.54	13.0	13.0	14.6	18.1	14.5	14.72
13	12.0	18.8	16.54	14.0	14.0	15.6	19.1	15.5	15.72
14	13.0	19.8	17.54	15.0	15.0	16.6	20.1	16.5	16.72
15	14.0	20.8	18.54	16.0	16.0	17.6	21.1	17.5	17.72
16	15.0	21.8	19.54	17.0	17.0	18.6	22.1	18.5	18.72
17	16.0	22.8	20.54	18.0	18.0	19.6	23.1	19.5	19.72
18	17.0	23.8	21.54	19.0	19.0	20.6	24.1	20.5	20.72
19	18.0	24.8	22.54	20.0	20.0	21.6	25.1	21.5	21.72

UNLESS OTHERWISE SPECIFIED TOLERANCES		ANGLE OF PROJECTION		 Amphenol Aorora Technology (Huizhou) Co.,Ltd	
X.	±0.30	X. °	± 5'		TITLE: Assembly Drawing For 1.0mm pitch Front side filp, with lock,H2.55mm(4~19PIN)
X.X	±0.25	X.X °	± 4'		
X.XX	±0.20	X.XX °	± 3'	DOC Customer Drw	SIZE PART NUMBER: F51L-1*7*1-*10** F51L-1*7*1-*10**-E*10
X.XXX	±0.15	X.XXX °	± 2'	DRAWN DATE May 2019-11-29	
LINEAR DIMS		ANGLES DIMS		DESIGN DATE May 2019-11-29	REV. G
DWG NO.: A-S0121		MATERIAL SEE NOTES		CHECKED DATE Rain 2019-11-29	SCALE 4:1
FINISHED SEE NOTES		APPROVED DATE Hongkui.Liu 2019-11-29		SHEET 2 OF 2	

This document is the property of and embodies CONFIDENTIAL and PROPRIETARY information of AMOR. No part of the information shown on this document may be used in any way or disclosed to others without the written consent of AMOR. © 2019 AMOR

Downloaded from [Arrow.com](http://Arrow.com)

Aor-QR-0406-A