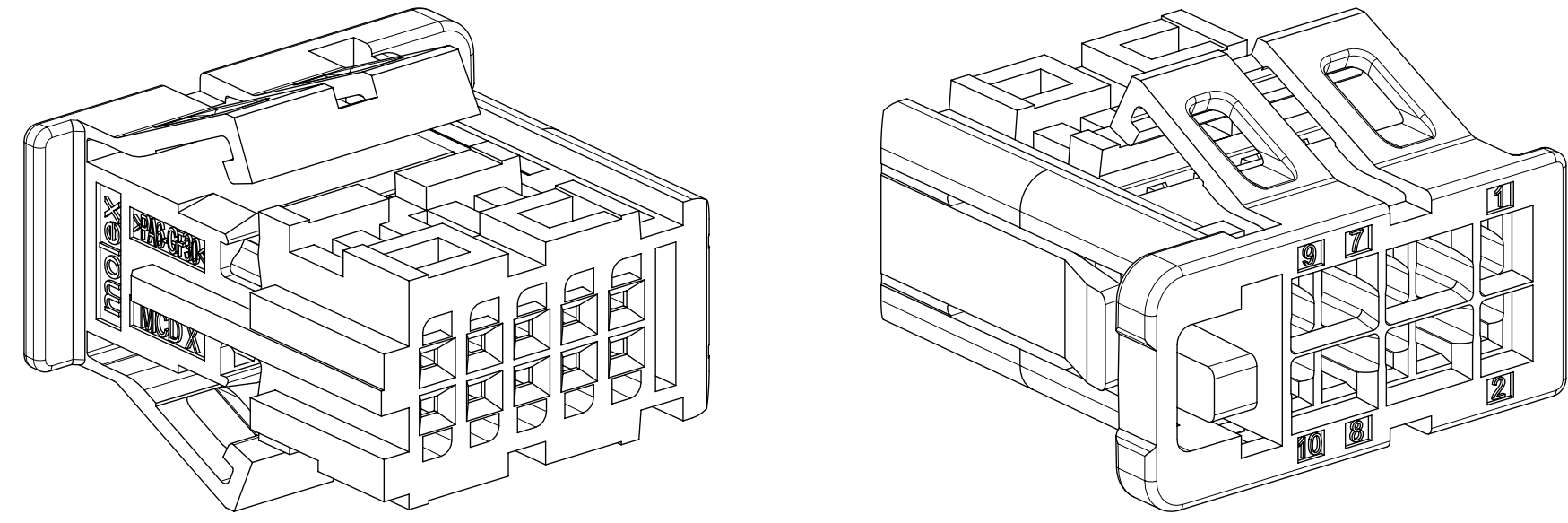
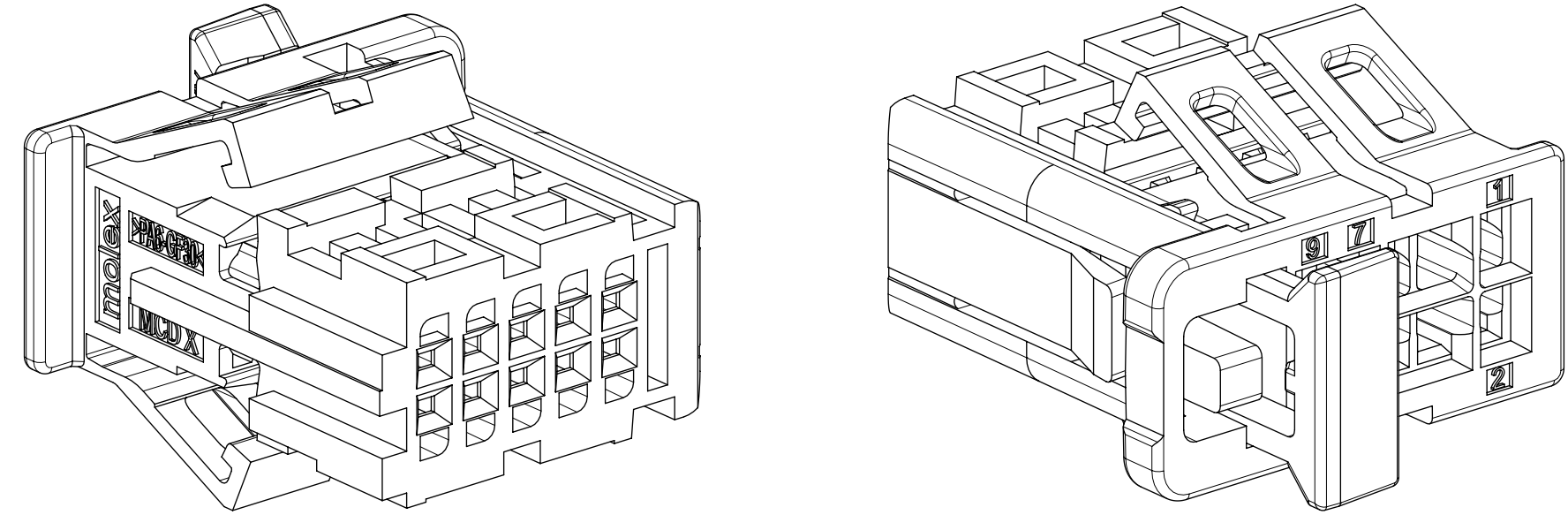


# RECEPTACLE ONLY 10CKT SHOWN:



CIRCUIT SIZE	DIM A	DIM B	DIM C	KEY	COLOR	RECEPTACLE ONLY			RECEPTACLE WITH LARGE CPA			RECEPTACLE WITH SMALL CPA				
						PART NUMBER	USABLE CIRCUITS	WEIGHT (g)	PART NUMBER	USABLE CIRCUITS	WEIGHT (g)	PART STATUS	PART NUMBER	USABLE CIRCUITS	WEIGHT (g)	PART STATUS
10	15.96	12.88	2.90	A	BLACK	2058252101	10	1.01	2058264081	8	1.12	AVAILABLE	2058262101	10	1.11	IN DEVELOPMENT
				B	NATURAL	2058252102	10	1.01					2058262102	10	1.11	
				C	BLUE	2058252103	10	1.01					2058262103	10	1.11	
				D	VIOLET	2058252104	10	1.01					2058262104	10	1.11	
12	17.76	14.68	3.80	A	BLACK	2058252121	12	1.13	N/A	N/A	N/A	N/A	2058262121	12	1.23	AVAILABLE
				B	NATURAL	2058252122	12	1.13					2058262122	12	1.23	
				C	BLUE	2058252123	12	1.13					2058262123	12	1.23	
				D	VIOLET	2058252124	12	1.13					2058262124	12	1.23	
16	21.36	18.28	5.60	A	BLACK	2058252161	16	1.38	N/A	N/A	N/A	N/A	2058262161	16	1.49	AVAILABLE
				B	NATURAL	2058252162	16	1.38					2058262162	16	1.49	
				C	BLUE	2058252163	16	1.38					2058262163	16	1.49	
				D	VIOLET	2058252164	16	1.38					2058262164	16	1.49	
22	26.76	23.68	8.30	A	BLACK	2058252221	22	1.85	2058264201	20	1.96	AVAILABLE	2058262221	22	1.95	IN DEVELOPMENT
				B	NATURAL	2058252222	22	1.85	2058264202	20	1.96		2058262222	22	1.95	
				C	BLUE	2058252223	22	1.85	2058264203	20	1.96		2058262223	22	1.95	
				D	VIOLET	2058252224	22	1.85	2058264204	20	1.96		2058262224	22	1.95	

# RECEPTACLE WITH LARGE CPA 10CKT SHOWN, 8 USABLE CIRCUITS



## NOTES:

VALID UNLESS OTHERWISE SPECIFIED

### 1. GENERAL:

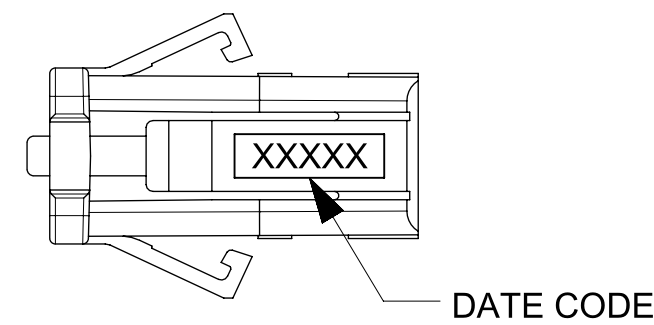
- 1.1 APPLICATION SPECIFICATION SEE: 2046310000-AS
- 1.2 PRODUCT SPECIFICATION SEE: 2046310000-PS
- 1.3 PACKAGING SPECIFICATION PER MOLEX DRAWING: PK-31301-695
- 1.4 COMPATIBLE WITH STANDARD AK INTERFACE DRAWING C-114-94000-20 REV A1
- 1.5 COMPATIBLE WITH MOLEX AK INTERFACE 2046310002
- 1.6 TOLERANCES APPLY IN DRY AS MOLDED STATE ONLY

### 2. DESIGN - MATERIALS:

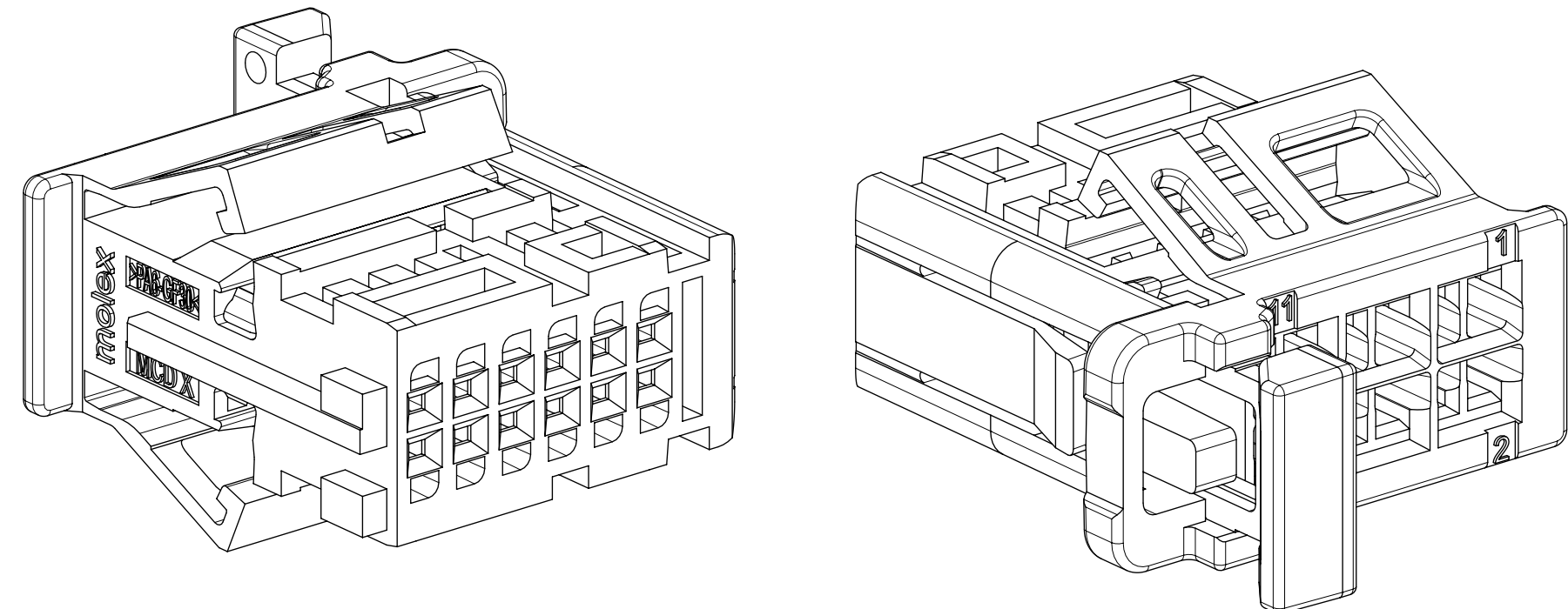
- 2.1 RECEPTACLE HOUSING:
  - a. MATERIAL: PA6-GF30%
  - b. COLOR: SEE PART TABLE
- 2.2 CPA
  - a. MATERIAL: PA6-GF30%
  - b. COLOR: RED

### 3. DESIGN - GEOMETRY:

- 3.1 GEOMETRIC DIMENSIONS AND TOLERANCES PER ASME Y14.5-2018
- 3.2 EDGES AND UNDIMENSIONED DETAILS PER ISO13715
- 3.3 CORNERS SHOWN AS SHARP TO BE R 0.2 MAX.
- 3.4 MARKED TEXT TO INCLUDE:
  - a. FOR RECEPTACLE COMPONENT: RECYCLING CODE, CAVITY ID, AND VENDOR IDENTIFICATION.
  - b. FOR ASSEMBLY ONLY: LASER ETCHED DATE CODE  
1ST THROUGH 2ND DIGIT = CALENDAR YEAR  
3RD THROUGH 5TH DIGIT = "DAY #" OF YEAR

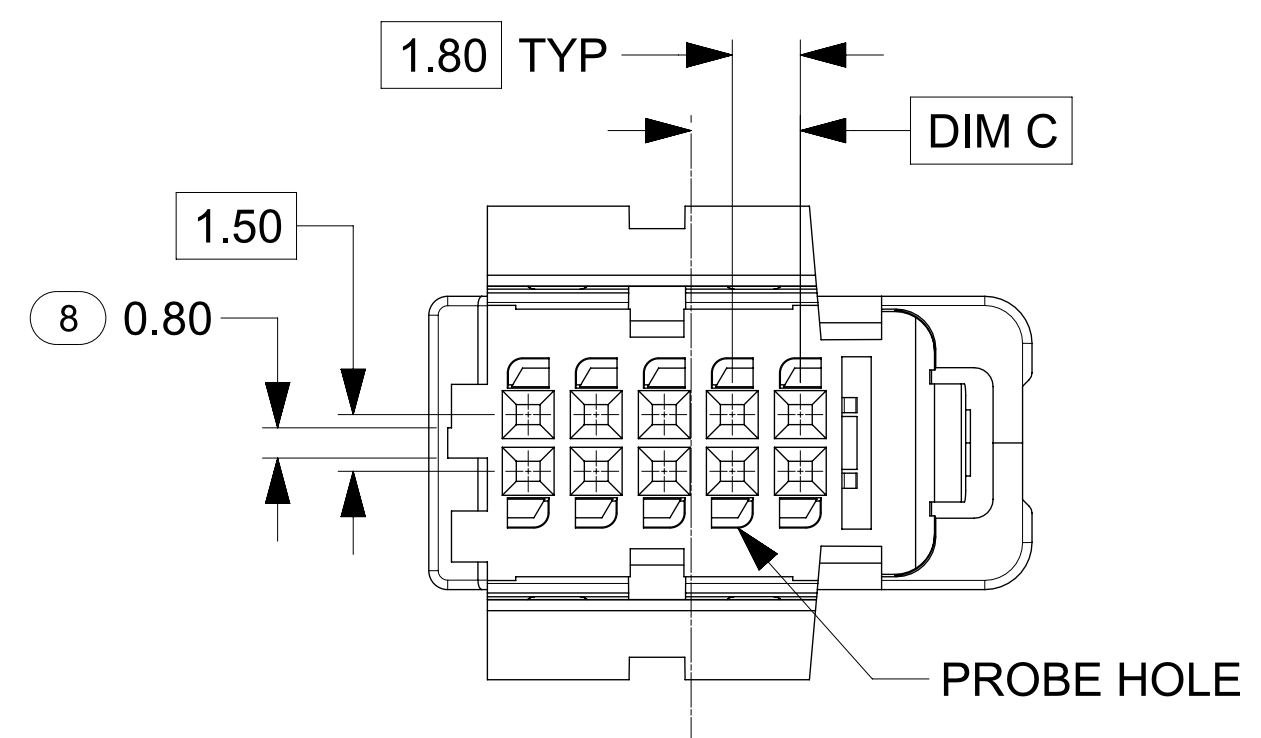
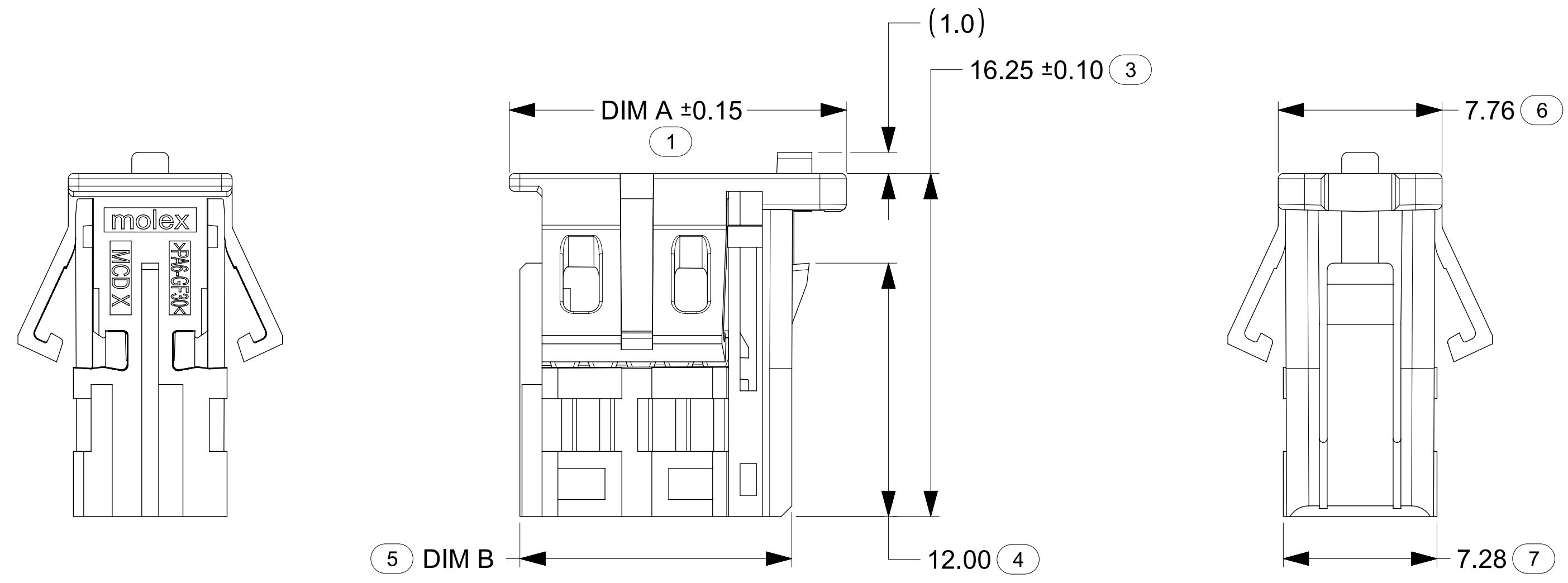


# RECEPTACLE WITH SMALL CPA 12CKT SHOWN, 12 USABLE CIRCUITS

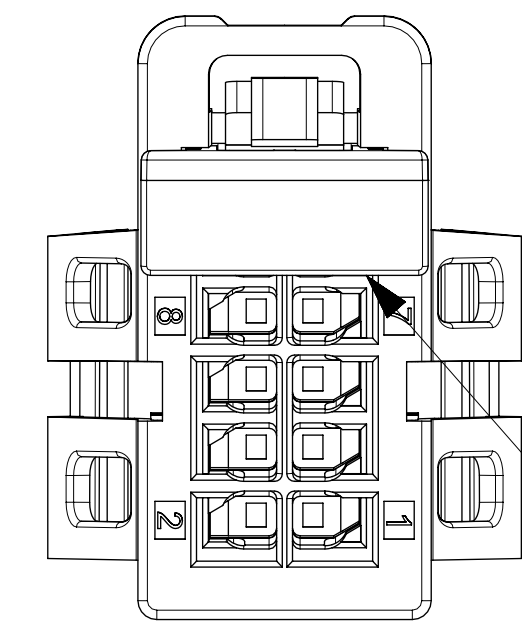


B5	SHEET 1 ADDED WEIGHTS TO BOM TABLE
B4	UPDATED FOR 10CKT/22CKT WITH SMALL CPA
B3	UPDATED FOR SMALL CPA & 12/16CKT
B2	CHANGED COLOR OF KEY B FROM GREY TO NATURAL IN THE BOM TABLE
B1	ADDED NOTE 1.7; INTERNAL GEOMETRY CHANGES; REMOVED DIM 2
B	RAISED LATCH PAD ADDED; CPA MAX DIMENSIONS ADJUSTED; BALLOON NUMBERS ADDED; NOTES MODIFIED; CPA COLOR CHANGE
A5	NON FUNCTIONAL CHANGES
REV	DESCRIPTION

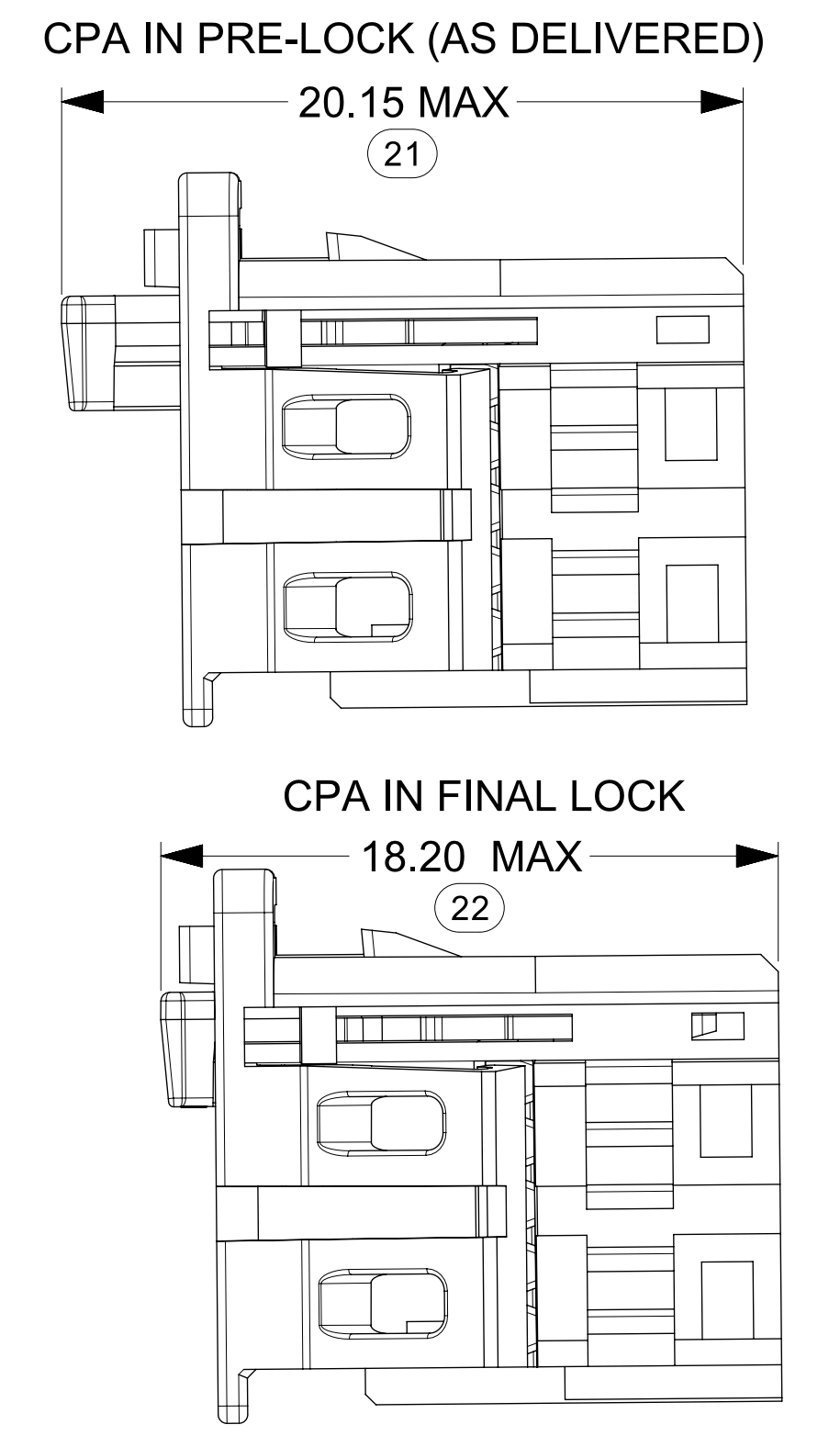
FUNCTIONAL SYMBOLS FA = 0 FE = 0 FP = 0	THIS DRAWING CONTAINS INFORMATION THAT IS PROPRIETARY TO MOLEX ELECTRONIC TECHNOLOGIES, LLC AND SHOULD NOT BE USED WITHOUT WRITTEN PERMISSION		CURRENT REV DESC: Updated BOM table with part weights	
	DIMENSION UNITS <b>MM</b>	SCALE <b>5:1</b>		
DIVISIONAL SYMBOLS	GENERAL TOLERANCES (UNLESS SPECIFIED)			
	ANGULAR TOL	± 0.5°		
	4 PLACES	±		
	3 PLACES	±		
	2 PLACES	±		
DRAFT WHERE APPLICABLE MUST REMAIN WITHIN DIMENSIONS		THIRD ANGLE PROJECTION	DRAWING <b>D-SIZE</b>	SERIES <b>205825</b>
INSPECTION BALLOON NUMBER LOG PER DRAWING REVISION: B5		STATUS: Production		2025-02-04
LAST BALLOON USED: 24		DRWN: Mahfuja Jannat		2025-02-11
ADDED BALLOON NUMBERS: 23, 24		CHK'D: Skyler Russ		2025-02-11
REMOVED BALLOON NUMBERS:		APPR: Jeremy Dunaj		
		DOCUMENT NUMBER <b>2058250002</b>		DOC TYPE <b>PSD</b>
		CUSTOMER <b>GENERAL MARKET</b>		REVISION <b>000 B5</b>
		SHEET NUMBER <b>1 OF 2</b>		



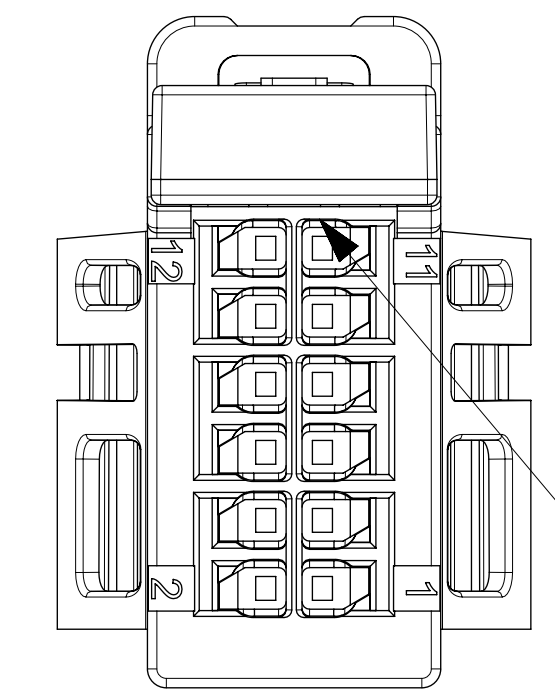
### LARGE CPA:



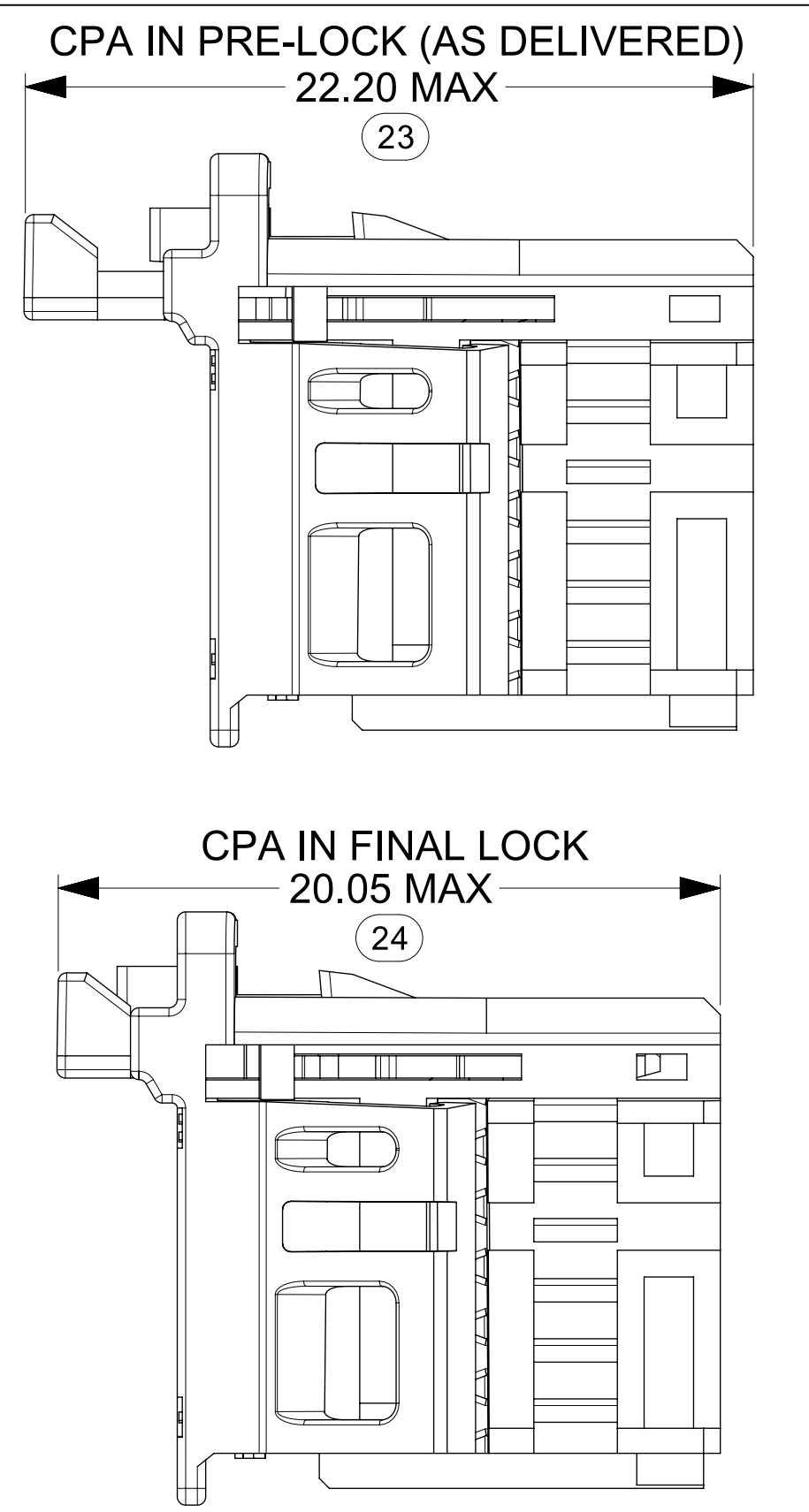
NOTE: 2 CIRCUITS UNAVAILABLE WHEN LARGE CPA IS USED



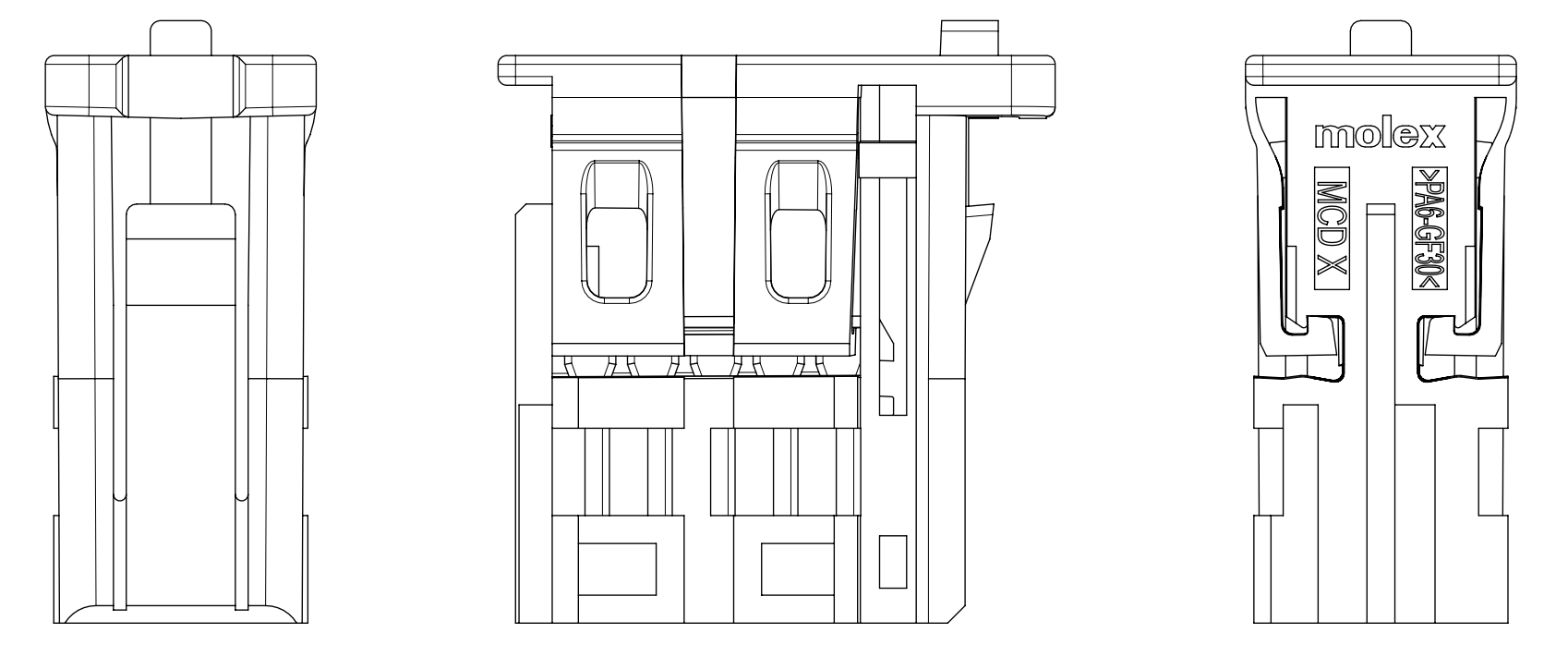
### SMALL CPA:



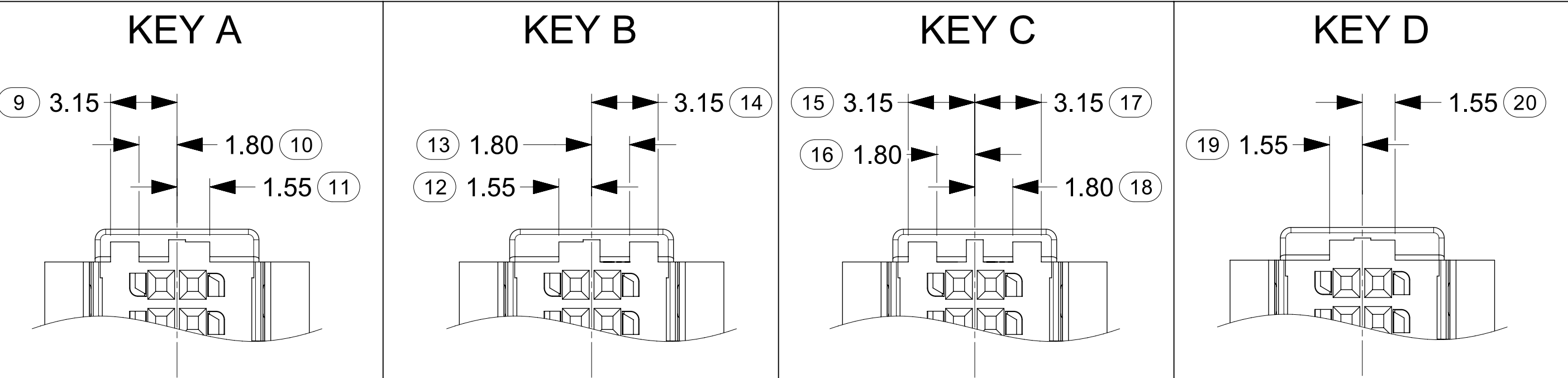
NOTE: ALL CIRCUITS AVAILABLE WHEN SMALL CPA IS USED



### ISL IN FINAL LOCK



### KEYS / POLARIZATIONS / CODINGS



FUNCTIONAL SYMBOLS FA = 0 FE = 0 FP = 0	THIS DRAWING CONTAINS INFORMATION THAT IS PROPRIETARY TO MOLEX ELECTRONIC TECHNOLOGIES, LLC AND SHOULD NOT BE USED WITHOUT WRITTEN PERMISSION		
	DIMENSION UNITS	SCALE	CURRENT REV DESC: Updated BOM table with part weights
	MM	5:1	
	GENERAL TOLERANCES (UNLESS SPECIFIED)		
DIVISIONAL SYMBOLS	ANGULAR TOL	± 0.5°	
	4 PLACES	±	
	3 PLACES	±	
	2 PLACES	±	
	1 PLACE	±	
	0 PLACES	±	
DRAFT WHERE APPLICABLE MUST REMAIN WITHIN DIMENSIONS		THIRD ANGLE PROJECTION	
		DRAWING	SERIES
		D-SIZE	205825
		STATUS: Production	2025-02-04
		DRWN: Mahfujia Jannat	2025-02-11
		CHK'D: Skyler Russ	2025-02-11
		APPR: Jeremy Dunaj	
		DOCUMENT NUMBER	DOC TYPE   DOC PART   REVISION
		2058250002	PSD   000   B5
		PRODUCT CUSTOMER DRAWING	
		MATERIAL NUMBER	CUSTOMER
		SEE NOTES	GENERAL MARKET
		SHEET NUMBER	2 OF 2



CONNTAK50 DUAL ROW TANG RECEPTACLE & RECEPTACLE/CPA ASSEMBLY

PRODUCT CUSTOMER DRAWING

DOCUMENT NUMBER: 2058250002 | DOC TYPE: PSD | DOC PART: 000 | REVISION: B5

MATERIAL NUMBER: SEE NOTES | CUSTOMER: GENERAL MARKET | SHEET NUMBER: 2 OF 2