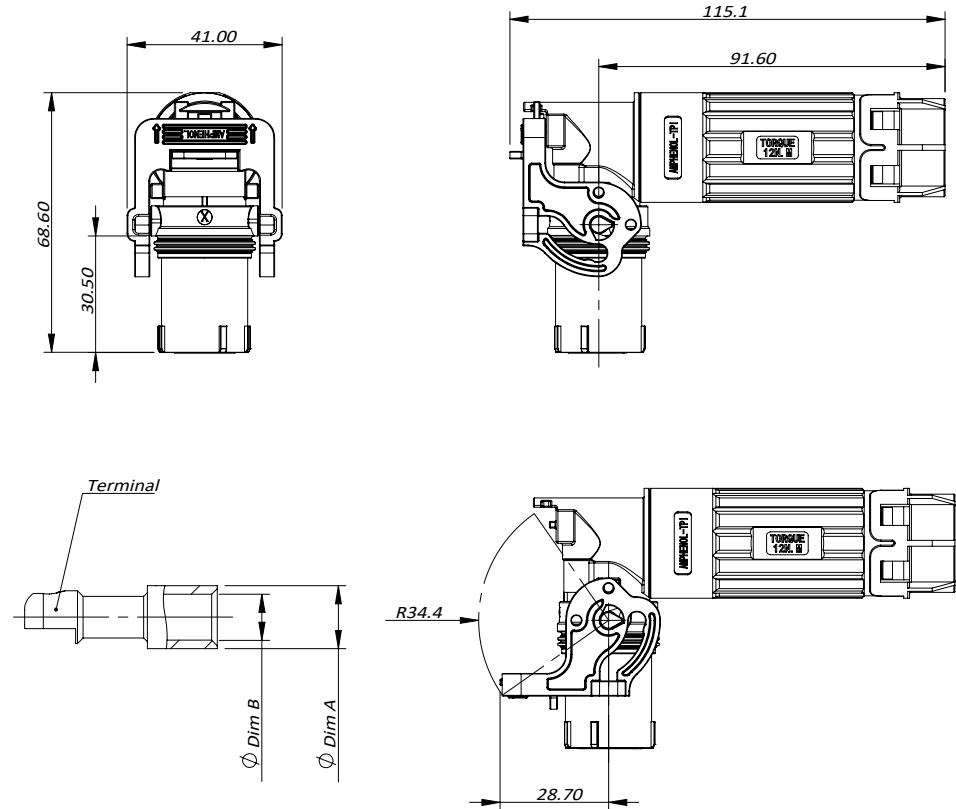
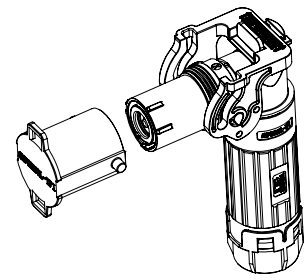


THIS DRAWING IS SUPPLIED FOR INFORMATION ONLY. DESIGN FEATURES, SPECIFICATIONS AND PERFORMANCE DATA SHOWN HEREON ARE THE PROPERTY OF THE AMPHENOL CORPORATION. NO RIGHTS OF REPRODUCTION ARE IMPLIED. ALL DIMENSIONS ARE SUBJECT TO NORMAL MANUFACTURING VARIATIONS.

CUSTOMER DRAWING



Standard Part List:

Model No.	H+S Part No.	Dia. Primary Insulation (mm)	Dia. of Screen max. (mm)	Overall-Dia. Nominal (mm)	Outside-Dia. of terminal (mm): "A"	Inside-Dia. of terminal (mm): "B"
PL28(X)-30X-70-2-5	84100298	13.7±0.3	14.6	17.0±0.3	16.7±0.3	12.2±0.3
PL28(X)-30X-50-2-5	84096257	11.5±0.3	12.6	14.9±0.3	14.0±0.3	10.0±0.3

REVISIONS					
REV#	ECN#	REVISION ACTION	REV.BY:	APPR.BY:	DATE
A	--	INITIAL RELEASE	Jack	James	03/09/2020
B	--	增加表格信息	Star	James	10/29/2020
C	--	Add Package specification P/N And Add Dust Cap Protection Cap	Star	JL	03/04/2021
D	--	Change the temperature of technical points and remove HVIL Protection Cap	Star	JL	01/25/2022
E	--	Rated voltage increased from 1000V to 1500V, add HVIL protection cap, change operating temperature	JS	JL	08/09/2022
F	--	Change specification parameter	JY	JL	03/20/2023

订购信息 Ordering Information

PL28 X - 30 1 - 70 - 2 - 5

Key and Color	HVIL	Cable size:	Cable Type:
"X", Orange	"0", NO HVIL	"70"=70mm ²	"-5", Huber+Suhner
"Y", Black	"1", With HVIL	"50"=50mm ²	
"U", Yellow			
"V", Green			
"W", Red			
"T", Blue			

- 规格参数 (Spec.):
- 工作温度 Operating temperature: -40°C ~ +125°C. △ E
 - 带高压互锁 Electrical interlock (HVIL).
 - 额定电流 Current rating:
Power: 50mm², 200A; 70mm², 250A; HVIL: 5A.
 - 额定电压 Operating voltage:
Power: 1500 VDC; Signal: 60 VDC. △ E
 - 耐电压 Dielectric withstanding voltage:
 - 与插座对插后, Pin与铁壳之间
When mated, between pin and metal shell: 8000 VDC. △ E
 - 与插座对插后, Pin与HVIL之间
When mated, between pin and HVIL: 8000 VDC. △ E
 - 与插座对插后, HVIL与铁壳之间
When mated, between HVIL and metal shell: 500 VDC.
 - 与插座对插前, 两个HVIL端子之间耐压
Before mating, between two HVIL terminals: 500 VDC.
 - 防护等级 Protection class: Mated-IP6k9k & IP67, unmated-IP2X.
 - 电磁屏蔽 360° full Shielding.
 - 机械寿命 Mating cycle: 100 Min.
 - 带CPA的摇杆系统 Latch system with CPA.
 - 绝缘材料满足UL94 V-0
The insulation material meets the requirements of UL94V-0. △ E
 - 镀灰锌/镍合金, 满足500H中性盐雾实验
Gray Zinc/Nickel (ZnNi) Plating. Rated at 500 hours salt spray.
 - 产品满足RoHS和REACH要求. Parts must be RoHS and reach compliant. ▽
 - 绝缘体为140°RTI材料. The insulators are 140° RTI material. △ E

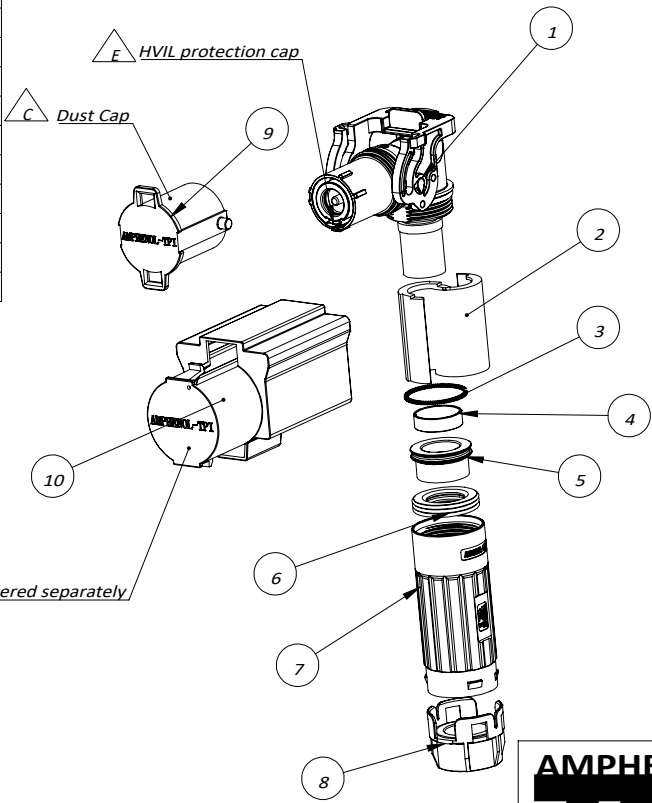
Amphenol Technical Products International Asia.

第三角投影 THIRD ANGLE PROJECTION 	页面 SHEET 1 OF 2	幅面 SIZE A4	版次 REV. F	比例 SCALE	PART NAME: PL300 G2 1POS Right Angle Plug
签名 SIGNATURE: Jeff.Yu 日期 DATE: 03/20/2023					
制图 DRAWN: Jeff.Yu 审核 CHECKED: 批准 APPROVAL:					
UNLESS OTHERWISE SPECIFIED 1) All dimensions are in metric (mm). 2) Tolerances are as follows: 1.PL DEC ± 1.00 2.PL DEC ± 0.50 3.PL DEC ± 0.20 Angles ±1°					
DWG NO: PL28X-30X-XX-2-5				CUST PART #	
				CUST REV.	

Key Characteristics Critical 关键特性
 Amphenol for Latest Definition Significant 重要特性

THIS DRAWING IS SUPPLIED FOR INFORMATION ONLY. DESIGN FEATURES, SPECIFICATIONS AND PERFORMANCE DATA SHOWN HEREON ARE THE PROPERTY OF THE AMPHENOL CORPORATION. NO RIGHTS OF REPRODUCTION ARE IMPLIED. ALL DIMENSIONS ARE SUBJECT TO NORMAL MANUFACTURING VARIATIONS.

1	2	3	4	5	6	7	8
型号 Model	Kit Package P/N	Bulk Package P/N			REVISIONS		
PL28X-300-50-2-5	AC-HA010890	AC-HA010890-2			REV#	ECN#	REVISION ACTION
PL28Y-300-50-2-5	AC-HA010891	AC-HA010891-2			A	--	INITIAL RELEASE
PL28U-300-50-2-5	AC-HA010892	AC-HA010892-2			B	--	增加表格信息
PL28V-300-50-2-5	AC-HA010893	AC-HA010893-2			C	--	Add Package specification P/N And Add Dust Cap Protection Cap
PL28W-300-50-2-5	AC-HA010894	AC-HA010894-2			D	--	Change the temperature of technical points and remove HVIL Protection Cap
PL28T-300-50-2-5	AC-HA010895	AC-HA010895-2			E	--	Rated voltage increased from 1000V to 1500V, add HVIL protection cap, change operating temperature
PL28X-300-70-2-5	AC-HA010896	AC-HA010896-2			F	--	Change specification parameter
PL28Y-300-70-2-5	AC-HA010897	AC-HA010897-2					
PL28U-300-70-2-5	AC-HA010898	AC-HA010898-2					
PL28V-300-70-2-5	AC-HA010899	AC-HA010899-2					
PL28W-300-70-2-5	AC-HA010900	AC-HA010900-2					
PL28T-300-70-2-5	AC-HA010901	AC-HA010901-2					
PL28X-301-50-2-5	AC-HA010914	AC-HA010914-2					
PL28Y-301-50-2-5	AC-HA010915	AC-HA010915-2					
PL28U-301-50-2-5	AC-HA010916	AC-HA010916-2					
PL28V-301-50-2-5	AC-HA010917	AC-HA010917-2					
PL28W-301-50-2-5	AC-HA010918	AC-HA010918-2					
PL28T-301-50-2-5	AC-HA010919	AC-HA010919-2					
PL28X-301-70-2-5	AC-HA010920	AC-HA010920-2					
PL28Y-301-70-2-5	AC-HA010921	AC-HA010921-2					
PL28U-301-70-2-5	AC-HA010922	AC-HA010922-2					
PL28V-301-70-2-5	AC-HA010923	AC-HA010923-2					
PL28W-301-70-2-5	AC-HA010924	AC-HA010924-2					
PL28T-301-70-2-5	AC-HA010925	AC-HA010925-2					



ITEM	DESCRIPTION	QTY	REMARK
10	PL300 G2 1 POS plug protection cap	1	Order P/N AC-CP001615
9	PL300 G2 Dust cover for Plug	1	
8	PL300 G2 R/A Tail Cap H+S cable	1	Different P/N are used according to different Cable sizes
7	PL300 G2 Back Shell 14mm-90	1	Different P/N are used according to different Cable sizes
6	PL300 G2 cale sealing	1	Different P/N are used according to different Cable sizes
5	PL300 G2 Outer Copper Ring for R/A Plug	1	Different P/N are used according to different Cable sizes
4	PL300 G2 Inner Copper Ring	1	Different P/N are used according to different Cable sizes
3	PL300 G2 Canted Coil Spring for Plug	1	
2	PL300 G2 Plastic set	2	
1	PL300 G2 Front Shell 14mm-90 Assy	1	Different P/N are used according to different Cable sizes

Amphenol Technical Products International Asia.

第三角投影 THIRD ANGLE PROJECTION	页面 SHEET	幅面 SIZE	版次 REV.	比例 SCALE	PART NAME: PL300 G2 1POS Right Angle Plug
2 OF 2	A4	F			

Key Characteristics Contact	Critical 关键特性	签名 SIGNATURE	日期 DATE	UNLESS OTHERWISE SPECIFIED 1) All dimensions are in metric(mm). 2) Tolerances are as follows: 1.PL DEC ± 1.00 2.PL DEC ± 0.50 3.PL DEC ± 0.20 Angles ±1°	DWG NO: PL28X-30X-XX-2-5	
Amphenol for Latest Definition	Significant 重要性	制图 DRAWN	Jeff.Yu		03/20/2023	CUST PART #
		审核 CHECKED				CUST REV.
		批准 APPROVAL				