

Data Sheet | Item Number: 734-464

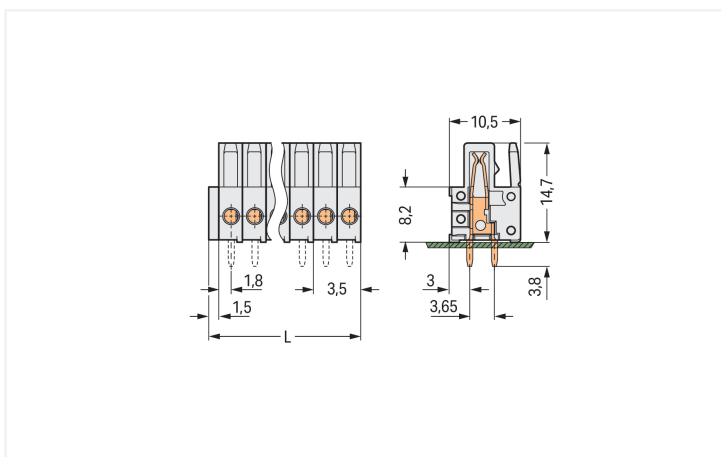
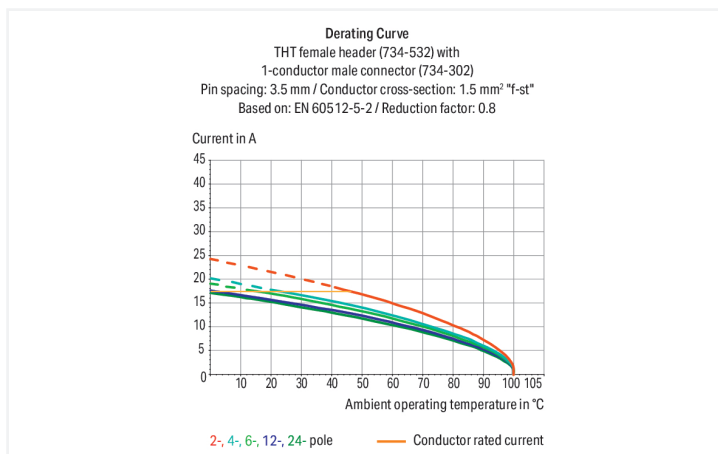
THT female header; straight; Pin spacing 3.5 mm; 4-pole; 100% protected against mismatching; 0.9 x 0.9 mm solder pin; light gray

<https://www.wago.com/734-464>



Color: ■ light gray

Similar to illustration



Dimensions in mm

$L = (\text{pole no.} \times \text{pin spacing}) + 1.5 \text{ mm}$

Female connector, 734 Series, solder pin dimensions 0.9 x 0.9 mm

This female connector (item number 734-464) is designed for fault-free electrical installations. The item's dimensions are (15.5 x 18.5 x 10.5) mm (width x height x depth).

The contact surface is coated with tin. THT is used to solder the pcb connector.

Notes

Safety Information

The MCS – MULTI CONNECTION SYSTEM includes connectors without breaking capacity in accordance with DIN EN 61984. When used as intended, these connectors must not be connected/disconnected when live or under load. When used as intended, these connectors must not be connected/disconnected when live or under load. The circuit design should ensure header pins, which can be touched, are not live when unmated.

Variants:

Other pole numbers
Gold-plated or partially gold-plated contact surfaces
Other versions (or variants) can be requested from WAGO Sales or configured at <https://configurator.wago.com/>.

Electrical data

| Ratings per | | IEC/EN 60664-1 | | | Approvals per | | UL 1059 | | |
|---------------------------------|--|----------------|--------|--------|---------------|-------|---------|-------|--|
| Overvoltage category | | III | III | II | Use group | B | C | D | |
| Pollution degree | | 3 | 2 | 2 | Rated voltage | 300 V | - | 300 V | |
| Nominal voltage | | 160 V | 160 V | 320 V | Rated current | 10 A | - | 10 A | |
| Rated impulse withstand voltage | | 2.5 kV | 2.5 kV | 2.5 kV | | | | | |
| Rated current | | 10 A | 10 A | 10 A | | | | | |

| Approvals per | | CSA | | |
|---------------|--|-------|---|-------|
| Use group | | B | C | D |
| Rated voltage | | 300 V | - | 300 V |
| Rated current | | 10 A | - | 10 A |

Connection Data

| | | | | |
|----------------------------|---|---------------------|---|--|
| Clamping units | 4 | Connection 1 | | |
| Total number of potentials | 4 | Pole number | 4 | |
| Number of connection types | 1 | | | |
| Number of levels | 1 | | | |

Physical data

| | |
|--------------------------------------|--------------------------|
| Pin spacing | 3.5 mm / 0.138 inches |
| Width | 15.5 mm / 0.61 inches |
| Height | 18.5 mm / 0.728 inches |
| Height from the surface | 14.7 mm / 0.579 inches |
| Depth | 10.5 mm / 0.413 inches |
| Solder pin length | 3.8 mm |
| Solder pin dimensions | 0.9 x 0.9 mm |
| Drilled hole diameter with tolerance | 1.4 ^(+0.1) mm |

Mechanical data

| | |
|--------------------------|-----|
| Variable coding | Yes |
| Anti-rotation protection | Yes |

Plug-in connection

| | |
|------------------------------------|-------------------------|
| Contact type (pluggable connector) | Female connector/socket |
| Connector (connection type) | for PCB |
| Mismating protection | Yes |
| Mating direction to the PCB | 90 ° |

PCB contact

| | |
|-------------------------------------|--|
| PCB contact | THT |
| Solder pin arrangement | over the entire female connector (in-line) |
| Number of solder pins per potential | 1 |

Material data

| | |
|------------------------------------|--|
| Note (material data) | Information on material specifications can be found here |
| Color | light gray |
| Material group | I |
| Insulation material (main housing) | Polyamide (PA66) |
| Flammability class per UL94 | V0 |
| Contact material | Copper alloy |
| Contact Plating | Tin |
| Fire load | 0.031 MJ |
| Weight | 2.2 g |

Environmental requirements

| | |
|-------------------------|-----------------|
| Limit temperature range | -60 ... +100 °C |
| Processing temperature | -35 ... +60 °C |

Commercial data

| | |
|-----------------------|------------------------|
| Product Group | 3 (Multi Conn. System) |
| PU (SPU) | 100 pcs |
| Packaging type | Box |
| Country of origin | DE |
| GTIN | 4044918999830 |
| Customs tariff number | 85366990990 |

Product Classification

| | |
|-------------|----------------------|
| UNSPSC | 39121409 |
| eCl@ss 10.0 | 27-44-04-02 |
| eCl@ss 9.0 | 27-44-04-02 |
| ETIM 9.0 | EC002637 |
| ETIM 10.0 | EC002637 |
| ECCN | NO US CLASSIFICATION |

| Environmental Product Compliance | |
|----------------------------------|-------------------------|
| RoHS Compliance Status | Compliant, No Exemption |

Approvals / Certificates

| General approvals | | | Approvals for marine applications | | |
|---------------------------------------|----------|------------------|-----------------------------------|-----------|-------------------|
| | | | | | |
| Approval | Standard | Certificate Name | Approval | Standard | Certificate Name |
| CB DEKRA Certification B.V. | EN 61984 | NL-54190 | DNV DNV GL SE | - | TAE000016Z |
| CSA DEKRA Certification B.V. | C22.2 | 1465035 | LR Lloyds Register | IEC 61984 | 96/20035 (E5) |
| KEMA/KEUR DEKRA Certification B.V. | EN 61984 | 71-105522 | PRS Polski Rejestr Statków | - | TE/1095/880590/23 |
| UL Underwriters Laboratories Inc. | UL 1977 | E 45171 | | | |

Downloads

| Environmental Product Compliance | |
|--|-------------------|
| Compliance Search | |
| Environmental Product Compliance 734-464 | ↓ |

Documentation

| Additional Information | | | |
|------------------------|------------|-------------------|-------------------|
| Technical Section | 03.04.2019 | pdf 2027.26 KB | ↓ |

CAD/CAE-Data

| CAD data | | CAE data | |
|----------------------|-------------------|---------------------------|-------------------|
| 2D/3D Models 734-464 | ↓ | EPLAN Data Portal 734-464 | ↓ |
| | | ZUKEN Portal 734-464 | ↓ |

| PCB Design | |
|--|-------------------|
| Symbol and Footprint via SamacSys 734-464 | ↓ |
| Symbol and Footprint via Ultra Librarian 734-464 | ↓ |

Subject to changes. Please also observe the further product documentation!

Current addresses can be found at: www.wago.com