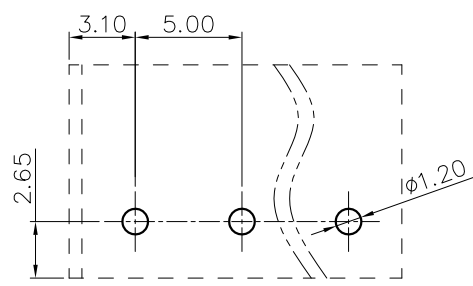
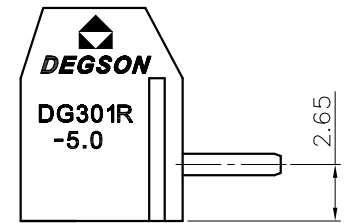
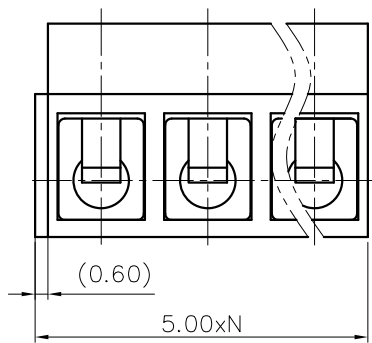
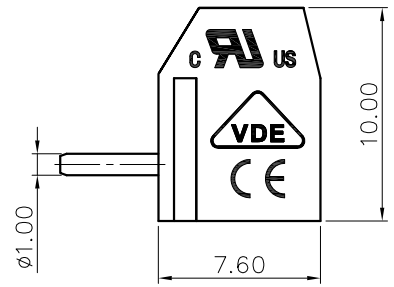
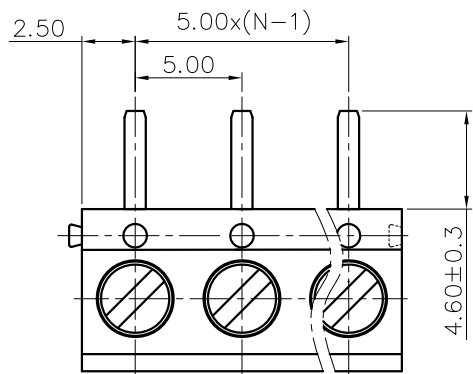


REVISION RECORD				
REV	ECN	DESCRIPTION	DRFT	DATE

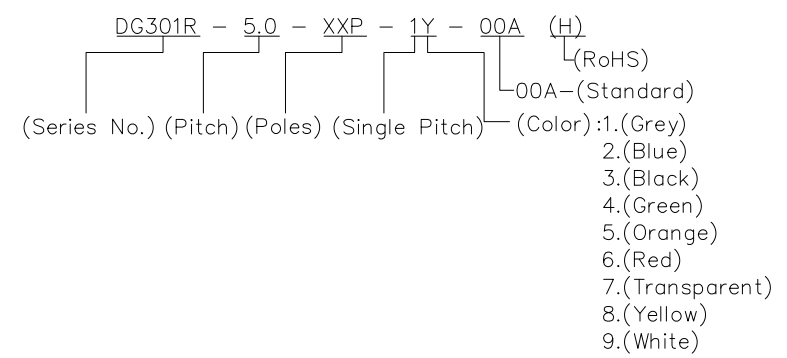


PCB LAYOUT

- NOTES1:
 UL Standard
 1. Rated Voltage/Current : 300V / 15A
 2. Torque Value : M2.5 , 3.54Lb.in
 3. Wire Range : 22~14AWG
- IEC Standard
 1. Rated Voltage/Current : 250V / 17.5A
 2. Torque Value : M2.5 , 0.4N.m
 3. Wire Range : 0.75~1.5mm²
- NOTES2:
 1. Dimension shall be interpreted per ASME Y14.5-2009
 2. Pitch : 5.0mm, Poles : N=02~24P
 3. Stripping length : 5~6mm
 4. Withstanding Voltage : AC2000V/1Min.
 5. Operating temperature : -30°C~+120°C
 6. Undimensioned Tolerances:

Pitch Range In mm		Nominal Dimension Range In mm					
TO	Over TO	TO	Over TO	Over TO	Over TO	0.1/10	∠
6	10	30	60	100	150		
±0.15	±0.20	±0.30	±0.30	±0.50	±0.70	±1.00	±2°

7. RoHS Compliance



DETACHED LISTS	PART NO.:	宁波高松电子有限公司 NINGBO DEGSON ELECTRICAL CO., LTD			
	APPD:	NAME: DG301R-5.0-XXP-1Y-00A(H)			
	CHKD:	TITLE: CUSTOMER DRAWING			
	DRFT:	DRAWING NO.:		REV	DO
THIRD ANGLE PROJECTION		MM (INCH)	DO NOT SCALE DRAWING	SHEET	1/1
			SCALE	1:1	