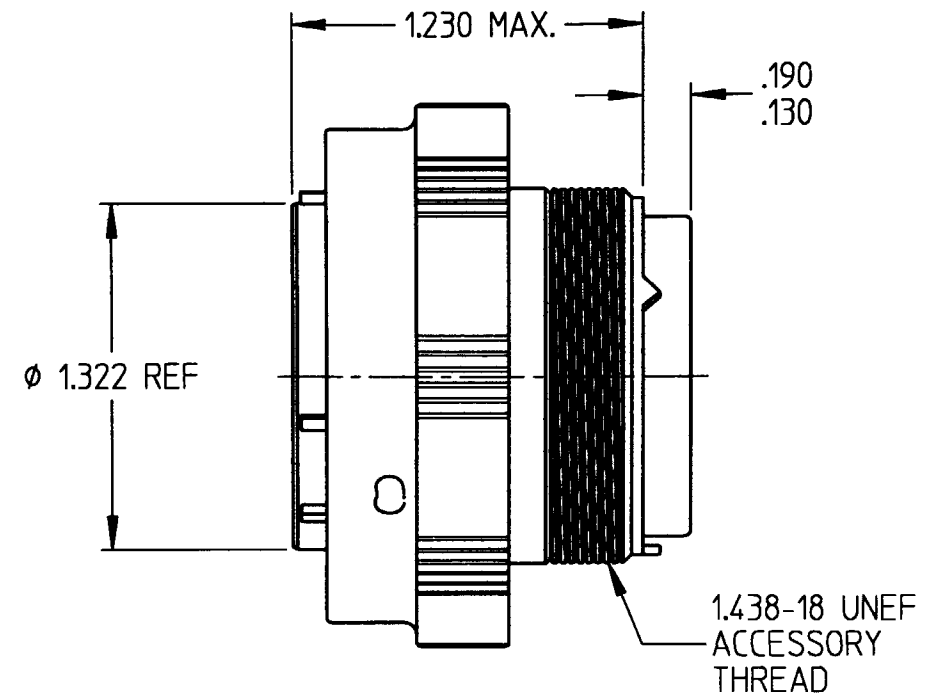
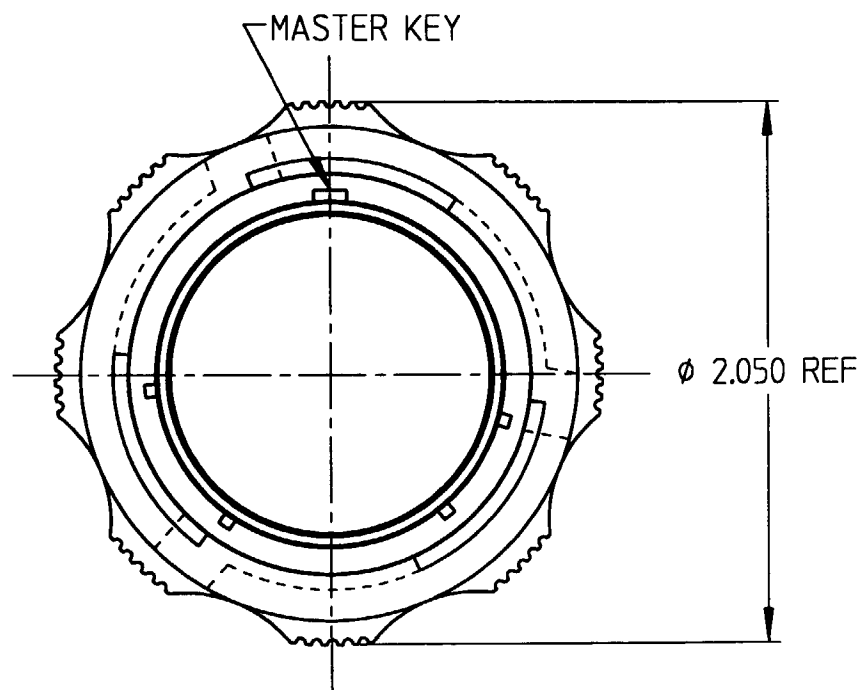


PROPERTY OF DEUTSCH E.C.D.
 This drawing contains proprietary information that shall not be disclosed, duplicated,
 nor used in whole or in part for any purpose other than to evaluate this drawing.

N/C WTC06B-24-***P/S*		REVISIONS	
REV	DESCRIPTION	DATE	APPROVED
N/C	NEW RELEASE PER E.O. C2635	1-17-97	BJH



PART NUMBER BREAKDOWN EXAMPLE:
WTC06B-24-31SN

- INSERT CLOCKING: N = STANDARD
- P = PIN S = SOCKET INSERT
- INSERT ARRANGEMENT
- SHELL SIZE
- B = BLACK COMPOSITE UNPLATED
- PLUG CONNECTOR
- WORLD TRANSMISSION COMPOSITE SERIES

4. AVAILABLE INSERT ARRANGEMENTS ARE ILLUSTRATED ON DEUTSCH INFORMATION DRAWING 0925-204-0000. ONLY SIZE 24 SHELLS AND INSERT ARRANGEMENTS ARE CURRENTLY AVAILABLE.
3. CONNECTORS ARE SHIPPED LESS BACKSHELL, CONTACTS, SEALING PLUGS, AND INSERTION/REMOVAL TOOLS.
2. MATERIALS: SHELL, COUPLING RING - COMPOSITE
INSERTS - THERMOPLASTIC, ELASTOMER
1. DIMENSIONS ARE IN INCHES UNLESS OTHERWISE SPECIFIED.

SIGNATURE & DATE		CONNECTOR, PLUG	CP	MATL CODE
DR	N. CORBO 1-14-97		DEUTSCH	
CHK	<i>[Signature]</i> 1-17-97	BAYONET COUPLING COMPOSITE SHELL	ENGINEERED CONNECTING DEVICES	
PE	N. CORBO 1-14-97	WORLD TERMINATION COMPOSITE SERIES	36033 Whittier Ave. Hemel, California	
APPD		ENVELOPE	A WTC06B-24-***P/S*	
SCALE	NONE WT		OWG SIZE	CODE 1132 SHEET 1 OF 1

WTC06B-24-XXX-SX-ENV-NC