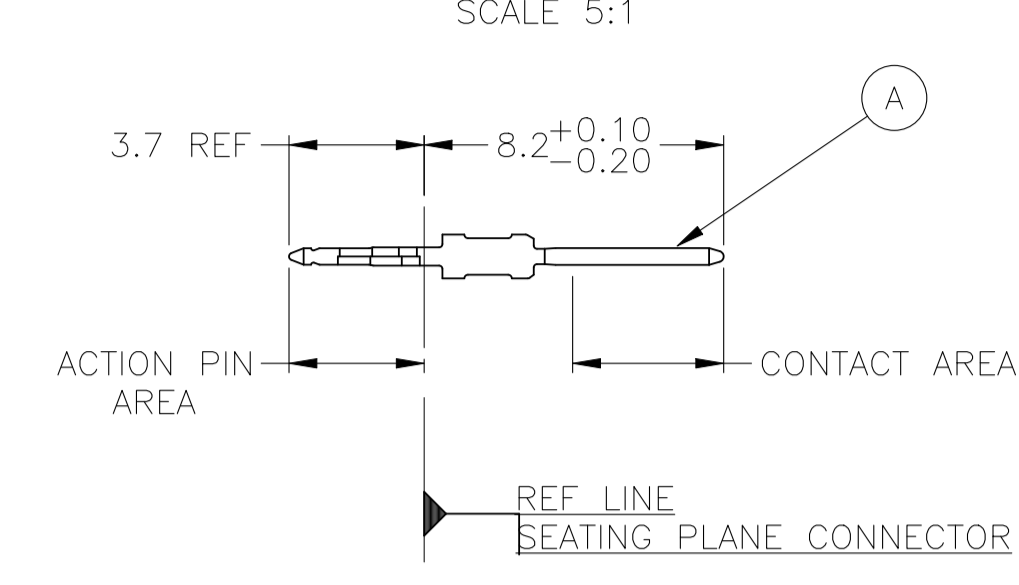
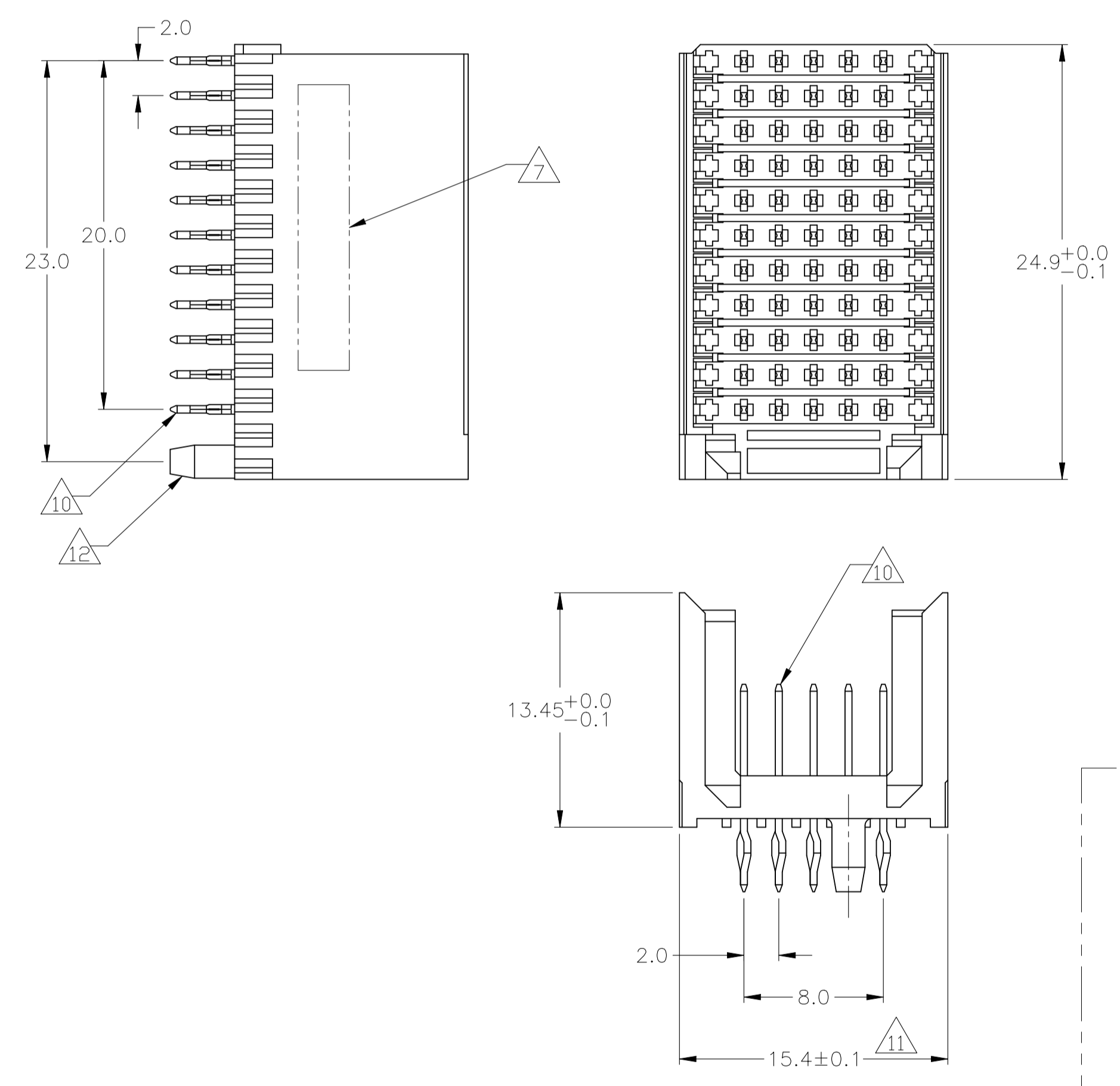


REVISIONS					
REV	DATE	DESCRIPTION	BY	CHK	APPV
F2	24JUL2025	ALTERNATE PLATING ADDED PER PCN-25-253811	PSK	S.A	

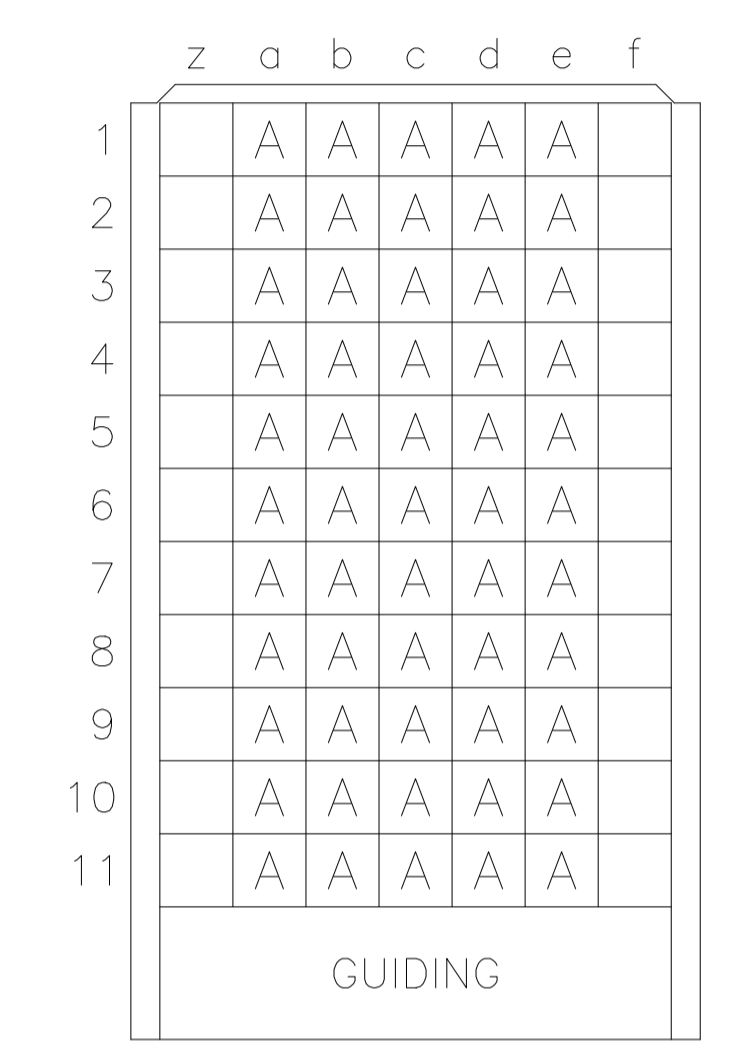
### CONTACT DIMENSIONS



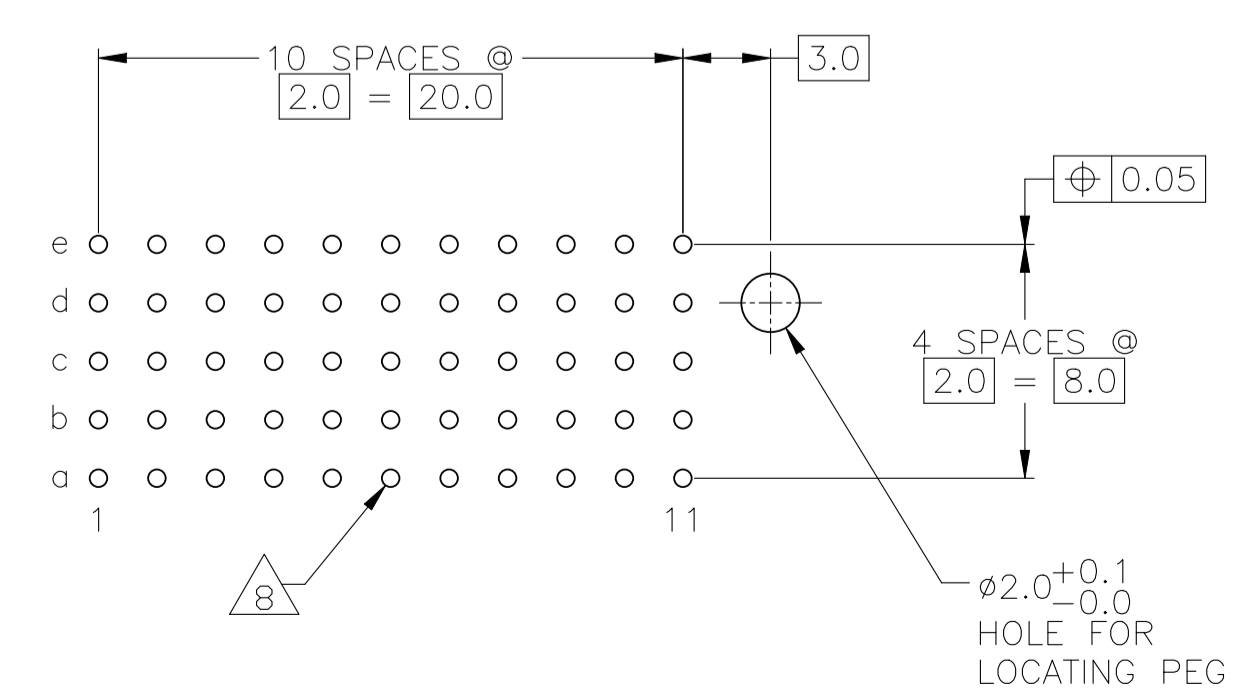
### CONNECTOR ASSEMBLY EXAMPLARY LOADED



### CONTACT LAYOUT



### RECOMMENDED PCB-HOLE LAYOUT COMPONENT SIDE SHOWN



### PLATED THRU HOLES PARAMETERS

REFERENCE APPLICATION SPECIFICATION

OBSOLETE	2 3 4	3-5100159-0
	2 6	1-5100159-9
	2 5 3	5100159-9
	2 4	5100159-4
OBSOLETE	2 3	5100159-1
	FINISH	PART NUMBER

THIS DRAWING IS A CONTROLLED DOCUMENT.		DWG: B.CARBO	24JAN05	TE Connectivity Ltd.	
DIMENSIONS: mm		CHK: G.SKIPPER	24JAN05	MALE ASSEMBLY, Z-PACK 2mm HM, TYPE C	
TOLERANCES UNLESS OTHERWISE SPECIFIED:		APVD: G.SKIPPER	24JAN05	APPLICATION SPEC 108-19082	
0-PLC ±		NAME		PRODUCT SPEC 114-19029	
1-PLC ± 0.2		SIZE		CAGE CODE	
2-PLC ± 0.02		DRAWING NO		RESTRICTED TO	
3-PLC ± 0.005		SCALE		A1 00779 C-5100159	
4-PLC ± 0.002		SHEET		1 OF 2	
ANGLES ± 0.30°		REV		F2	
MATERIAL		CUSTOMER DRAWING		SCALE 4:1	

REVISIONS				
IP	LR	DESCRIPTION	DATE	DRN
-	-	SEE SHEET 1	-	-

- 1 MATERIAL:  
CONTACT: PHOSPHOR BRONZE.  
HOUSING: GLASS-FILLED POLYESTER.
- 2 GENERAL PLATING SPECIFICATION: UNDERPLATING  
(ENTIRE CONTACT): 1.27µm MIN NICKEL AND ACTION  
PIN: 0.5µm MIN TIN.  
FOR PLATING OF MATING SURFACES SEE APPLICABLE  
SPECIFICATION REFERENCE FOR EACH DASH NUMBER.
- 3 CONFORMS TO ALL TESTING ACCORDING TO IEC 61076-4-101  
PERFORMANCE LEVEL 2.
- 4 CONFORMS TO ALL TESTING ACCORDING TO IEC 61076-4-101  
PERFORMANCE LEVEL 1.
- 5 CONNECTOR TESTED AND QUALIFIED AGAINST TELCORDIA GR-1217-CORE QUALITY LEVEL 3,  
CENTRAL OFFICE APPLICATIONS.
- 6 CONNECTOR TESTED AND QUALIFIED AGAINST TELCORDIA GR-1217-CORE QUALITY LEVEL 3,  
UNCONTROLLED ENVIROMENT APPLICATIONS.
- 7 CONNECTOR MARKED WITH PART NUMBER AND DATE CODE.  
ADDITIONAL CHARACTERS OR MARKINGS, AS WELL AS THE LOCATION OF THE MARKINGS,  
MAY BE ADDED FOR TRACEABILITY BASED UPON MANUFACTURERS DISCRETION.
- 8 PLATED-THROUGH HOLES AT 2x2mm SQUARE GRID  
PATTERN DEFINED BY CONTACT LAYOUT.
- 9 FOR ACTUAL PIN LOADING SEE "CONTACT LAYOUT".
- 10 FOR ACTUAL PIN DIMENSIONS SEE "CONTACT DIMENSIONS".
- 11 TO BE MEASURED AT BOTTOM OF SHROUD.
- 12 LOCATION PEG.
- 13 CONNECTOR LUBRICATED WITH BELCORE APPROVED LUBRICANT,  
TECHNICAL REFERENCE: TR-NWT-001217 ISSUE 1, SEP 1992.
- 14 0.76µm MIN. GOLD PLATING OR 0.08um MIN GOLD OVER 0.68um MIN PdNi PLATING AT MATING SURFACES. (F2)

THIS DRAWING IS A CONTROLLED DOCUMENT.		DRN B.CARBO 24JAN05	TE Connectivity Ltd.																			
DIMENSIONS: mm		CHK G.SKIPPER 24JAN05	NAME MALE ASSEMBLY, Z-PACK 2mm HM, TYPE C																			
TOLERANCES UNLESS OTHERWISE SPECIFIED:		APVD G.SKIPPER 24JAN05	PRODUCT SPEC 108-19082																			
<table border="1"> <tr><td>B-PLC</td><td>±</td><td></td></tr> <tr><td>F-PLC</td><td>± 0.2</td><td>±0.2</td></tr> <tr><td>D-PLC</td><td>± 0.02</td><td></td></tr> <tr><td>S-PLC</td><td>± 0.005</td><td></td></tr> <tr><td>A-PLC</td><td>±</td><td></td></tr> <tr><td>ANGLES</td><td>±</td><td>± 0°30'</td></tr> </table>		B-PLC	±		F-PLC	± 0.2	±0.2	D-PLC	± 0.02		S-PLC	± 0.005		A-PLC	±		ANGLES	±	± 0°30'	APPLICATION SPEC 114-19029	SIZE A1	CAGE CODE 00779
B-PLC	±																					
F-PLC	± 0.2	±0.2																				
D-PLC	± 0.02																					
S-PLC	± 0.005																					
A-PLC	±																					
ANGLES	±	± 0°30'																				
MATERIAL SEE SHEET 1	FINISH SEE SHEET 1	WEIGHT -	DRAWING NO 5100159	RESTRICTED TO -																		
CUSTOMER DRAWING		SCALE 4:1	SHEET 2	OF 2																		
			REV F2																			