

ø171x51 mm

Alveolate Motor

203~239 CFM



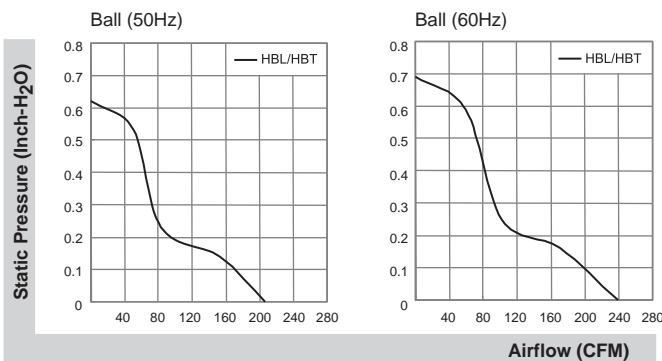
■ Specifications

| Model     | P/N   | Bearing                      | Rating Voltage | Freq. | Power Current | Power Consumption | Speed     | Air Flow | Static Pressure         | Noise   | Weight |
|-----------|-------|------------------------------|----------------|-------|---------------|-------------------|-----------|----------|-------------------------|---------|--------|
|           |       | ● VAPO<br>○ BALL<br>○ Sleeve | (VAC)          | (Hz)  | (AMP)         | (WATTS)           | (RPM)     | (CFM)    | (Inch-H <sub>2</sub> O) | (dB(A)) | (g)    |
| A1175-HBL | TC.GN | ○                            | 115            | 50/60 | 0.22/0.23     | 25/27             | 2800/3200 | 203/239  | 0.62/0.69               | 51/58   | 908    |
| A1175-HBT | TC.GN | ○                            | 115            | 50/60 | 0.22/0.23     | 25/27             | 2800/3200 | 203/239  | 0.62/0.69               | 51/58   | 908    |
| A2175-HBL | TC.GN | ○                            | 220-240        | 50/60 | 0.11/0.11     | 25/26             | 2800/3200 | 203/239  | 0.62/0.69               | 51/58   | 908    |
| A2175-HBT | TC.GN | ○                            | 220-240        | 50/60 | 0.11/0.11     | 25/26             | 2800/3200 | 203/239  | 0.62/0.69               | 51/58   | 908    |

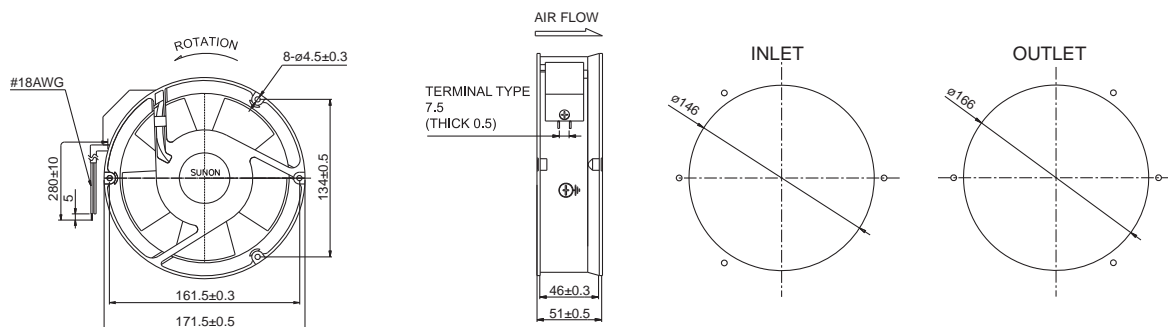
Frame : Aluminum alloy

Safety : UL-CUL/TUV/CE/CCC/BSMI

■ Air Flow-Static Pressure Characteristics



■ External dimensions(mm)



\*All model could be customized. Please contact with Sunon Sales.

\*Specifications are subject to change without notice. Please Visit SUNON website at <http://www.sunon.com> for update information.