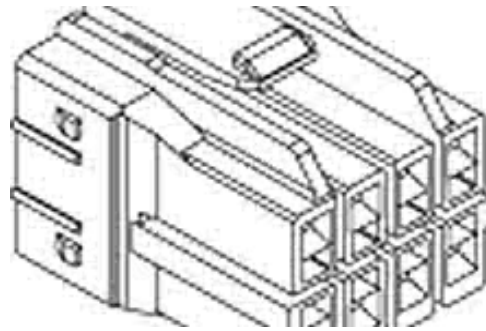




Part Number : [513471200](#)
Series Number : 51347
Status : Active - Proprietary
Product Category : Connector Housings



Drawings


[513471200 sd.pdf](#)
[SPK-51347-001-001.pdf](#)
[SPK-51347-001-002.pdf](#)

Specifications

[PS-51347-001-001.pdf](#)

Product Environment Compliance

Compliance

GADSL/IMDS	Not Relevant
China RoHS	 per SJ/T 11365-2006
EU ELV	Not Relevant
Low-Halogen Status	Low-Halogen per IEC 61249-2-21
REACH SVHC	Not Contained per D(2025)7771-DC (04 Feb 2026)
EU RoHS	Compliant per EU 2015/863

Compliance Statements

- EU RoHS
- REACH SVHC
- Low-Halogen

Industry Documents

- IPC 1752A Class C
- IPC 1752A Class D
- Molex Product Compliance Declaration
- IEC-62474
- chemSHERPA (xml)

Substances of Interest

- PFAS

EU RoHS Certificate of Compliance

Additional Product Compliance Information

Part Details

General

Status	Active - Proprietary
Category	Connector Housings
Series	51347
Description	3.30mm Pitch Wire-to-Wire Receptacle Housing, Positive Lock, Dual Row, 12 Circuits
Application	Signal, Wire-to-Wire
Product Name	N/A
UPC	800756599038

Physical

Circuits (maximum)	12
Color - Resin	Natural
Gender	Receptacle
Glow-Wire Capable	No
Lock to Mating Part	Yes
Material - Resin	Nylon
Number of Rows	2
Packaging Type	Bag
Panel Mount	No
Pitch - Mating Interface	3.30mm
Polarized to Mating Part	Yes
Stackable	No
Temperature Range - Operating	-25° to +85°C

Mates With / Use With

Use with Part(s)

Description	Part Number
-------------	-------------

3.30mm Pitch Terminal Position Assurance (TPA) Retainers	<u>51348</u>
3.30mm Pitch Female Crimp Terminals	<u>56187</u>

This document was generated on Apr 30, 2026