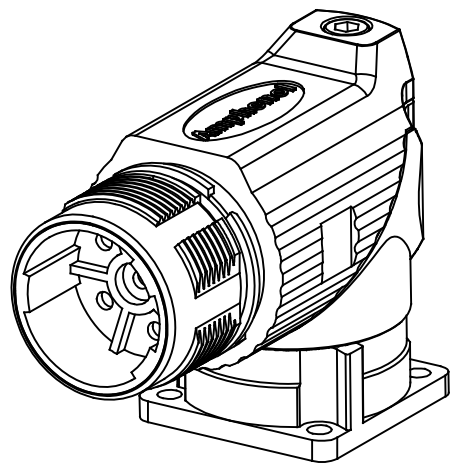
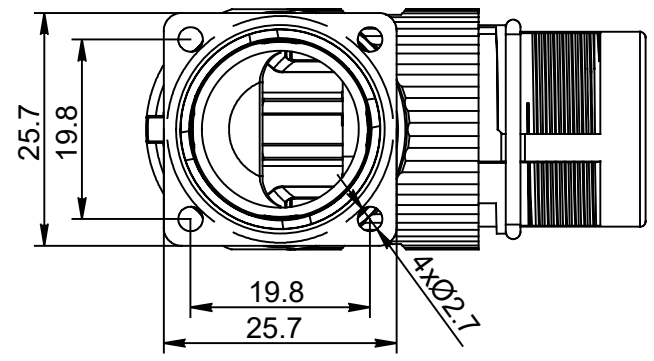


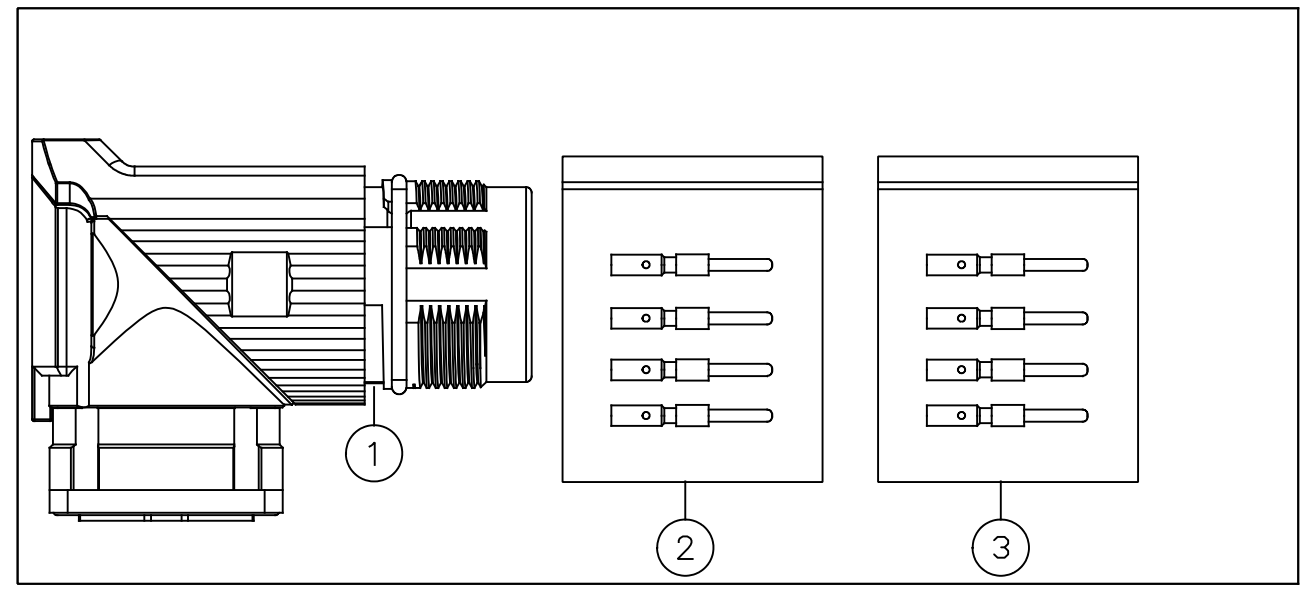
MOUNTING HOLE



| REVISIONS |     |                      |             |       |       |
|-----------|-----|----------------------|-------------|-------|-------|
| REV       | ECO | DESCRIPTION          | DATE        | BY    | APPR  |
| A1        | -   | FIRST RELEASE        | Jan.12.2018 | White | Tommy |
| A2        | -   | ITEM 3 ADDED TO BOM. | 12/14/2021  | RO    | RO    |

NOTES: UNLESS OTHERWISE SPECIFIED

- MATERIAL:
  - INSULATION INSERT : PA66,UL94 V0
  - SEAL: VITON
  - HOUSING BODY: ZINC DIE CAST, NICKEL PLATED
  - CONTACT: COPPER ALLOY, GOLD PLATED
- SPECIFICATIONS:
  - 2.1 CURRENT RATING: 28 AMPS
  - 2.2 VOLTAGE RATING: 630V AC/DC
  - 2.3 OPERATING TEMPERATURE: -20°C TO +130°C
  - 2.4 DIELECTRIC WITHSTANDING VOLTAGE: LESS THAN 2 MILLIAMPS CURRENT LEAKAGE @ 6000 VOLTS AC.
  - 2.5 DEGREE OF PROTECTION: IP67 ( MATED CONDITION )
  - 2.6 DEGREE OF POLLUTION: 3 PER UL840
  - 2.7 OVERVOLTAGE CATEGORY: III PER UL840
  - 2.8 MATING CYCLE DURABILITY: >500 CYCLES
  - 2.9 RoHS COMPLIANT
- ALL DIMENSIONS ARE FOR REFERENCE USE ONLY.



| QUANTITY | PART NUMBER | DESCRIPTION                         | ITEM |
|----------|-------------|-------------------------------------|------|
| 6        | SC000525    | M23B ELITE SERIES,2.0MM PIN         | 3    |
| 6        | SC000262    | CONTACT, PIN, Ø2.0mm,CRIMP 14~18AWG | 2    |
| 1        | MB7RJN0601  | CONNECTOR                           | 1    |

MATERIALS LIST

| UNLESS OTHERWISE SPECIFIED           |  | SIGNATURES   | DATE        |
|--------------------------------------|--|--|-------------|
| 1) All dimensions are in metric(mm). |  | DRAWN: White   | Jan.12.2018 |
| 2) Tolerances are as follows:        |  | CHECKED: Tod   | Jan.12.2018 |
| 1 PL DEC ±0.30                       |  | ENGINEER:  |             |
| 2 PL DEC ±0.15                       |  | APPROVAL: Tommy  | Jan.12.2018 |
| 3 PL DEC ±0.08                       |  | CUSTOMER:  |             |
| 3) Note reference =                  |  | THIS DRAWING IS SUPPLIED FOR INFORMATION ONLY. DESIGN FEATURES, SPECIFICATIONS AND PERFORMANCE DATA SHOWN HEREON ARE THE PROPERTY OF THE AMPHENOL CORPORATION. NO RIGHTS OF REPRODUCTION ARE IMPLIED. ALL DIMENSIONS ARE SUBJECT TO NORMAL MANUFACTURING VARIATIONS. |             |
| MATERIAL SPECIFICATIONS:             |  | PROCESS SPECIFICATIONS:  |             |
| NEXT ASSY:                           |  | SCALE: NONE  |             |

**Amphenol**

Sine Systems - www.amphenol-sine.com  
44724 Morley Drive  
Clinton Township, MI 48036

KIT,M23B,REC.,RA,6POS,FLANGE MOUNT

|                |                 |                               |                     |
|----------------|-----------------|-------------------------------|---------------------|
| SIZE: <b>B</b> | TYPE: <b>C-</b> | DWG NO: <b>MB7RJN0601-KIT</b> | REVISION: <b>A2</b> |
| SCALE: NONE    |                 | SHEET 1 OF 1                  |                     |

TITLE: KIT,M23B,REC.,RA,6POS,FLANGE MOUNT  
DWG NO: MB7RJN0601-KIT  
REV: A2  
SH: 1  
OF: 1