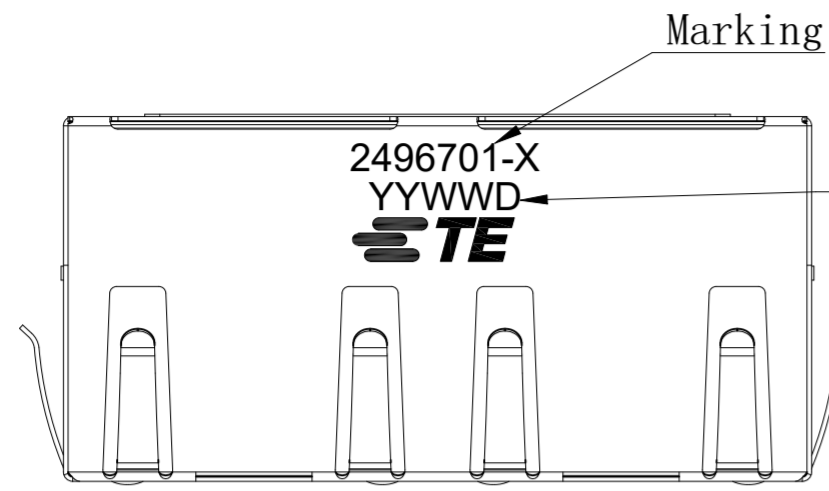
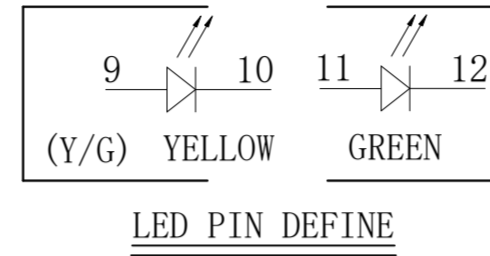


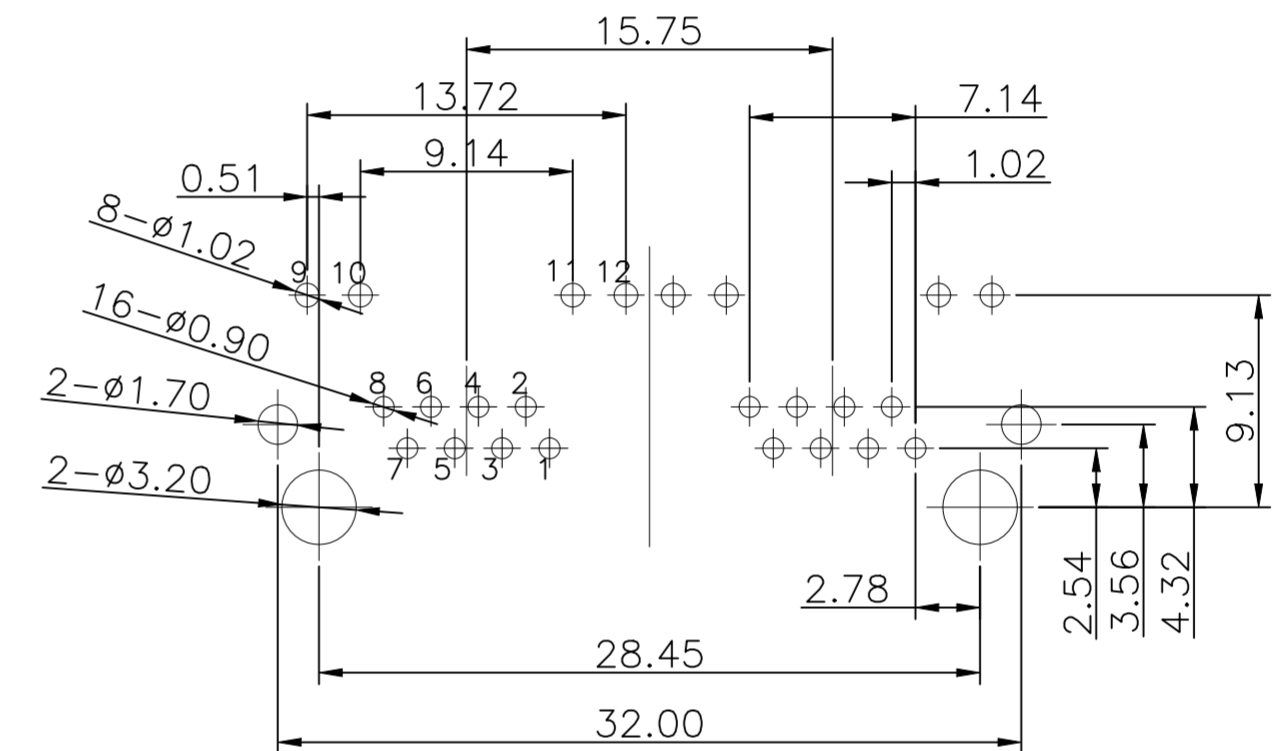
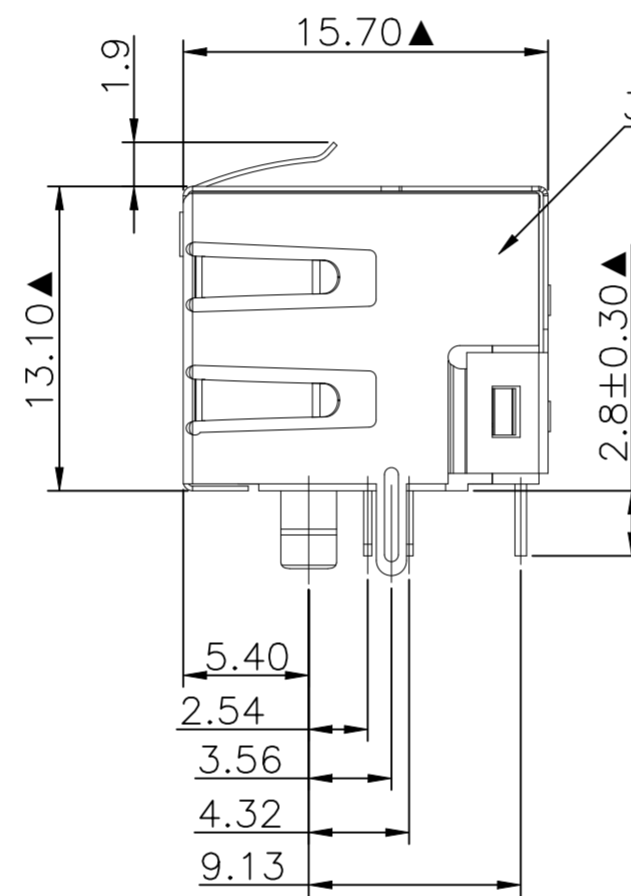
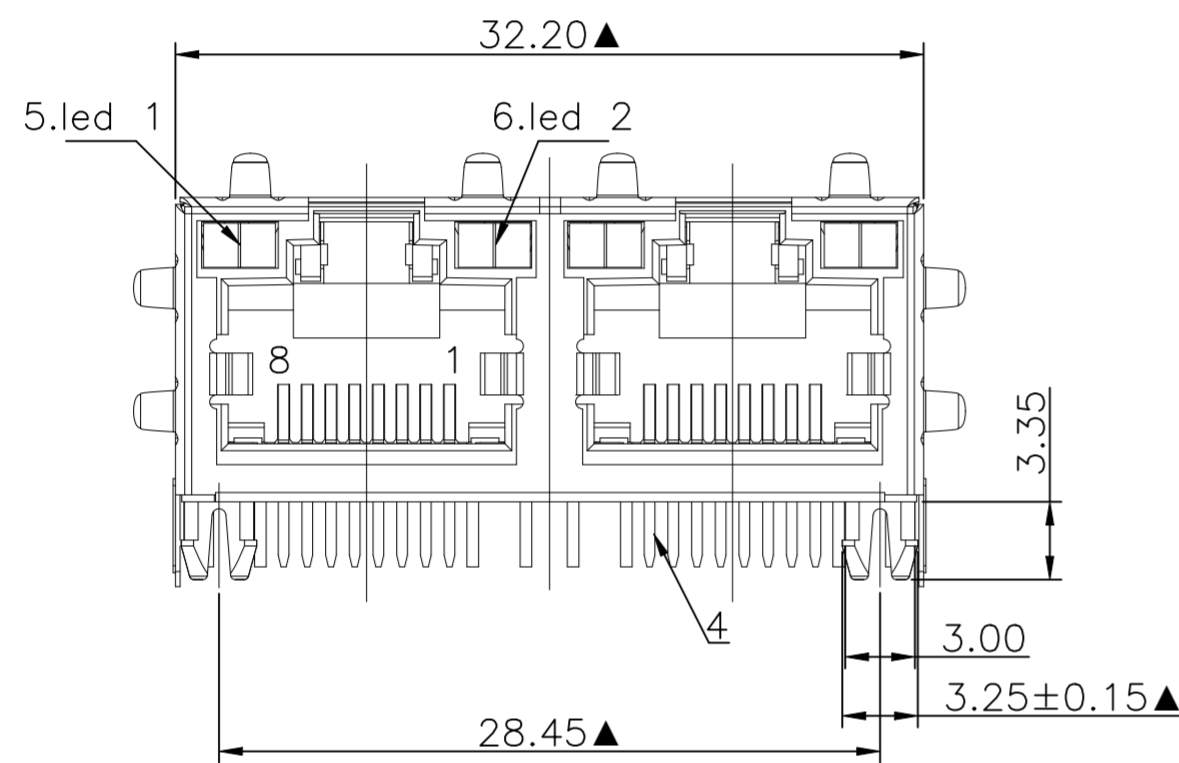
REVISIONS					
P	LTR	DESCRIPTION	DATE	DWN	APVD
A		REVISED PER ECN-25-302515	17JAN2025	TR	RCG



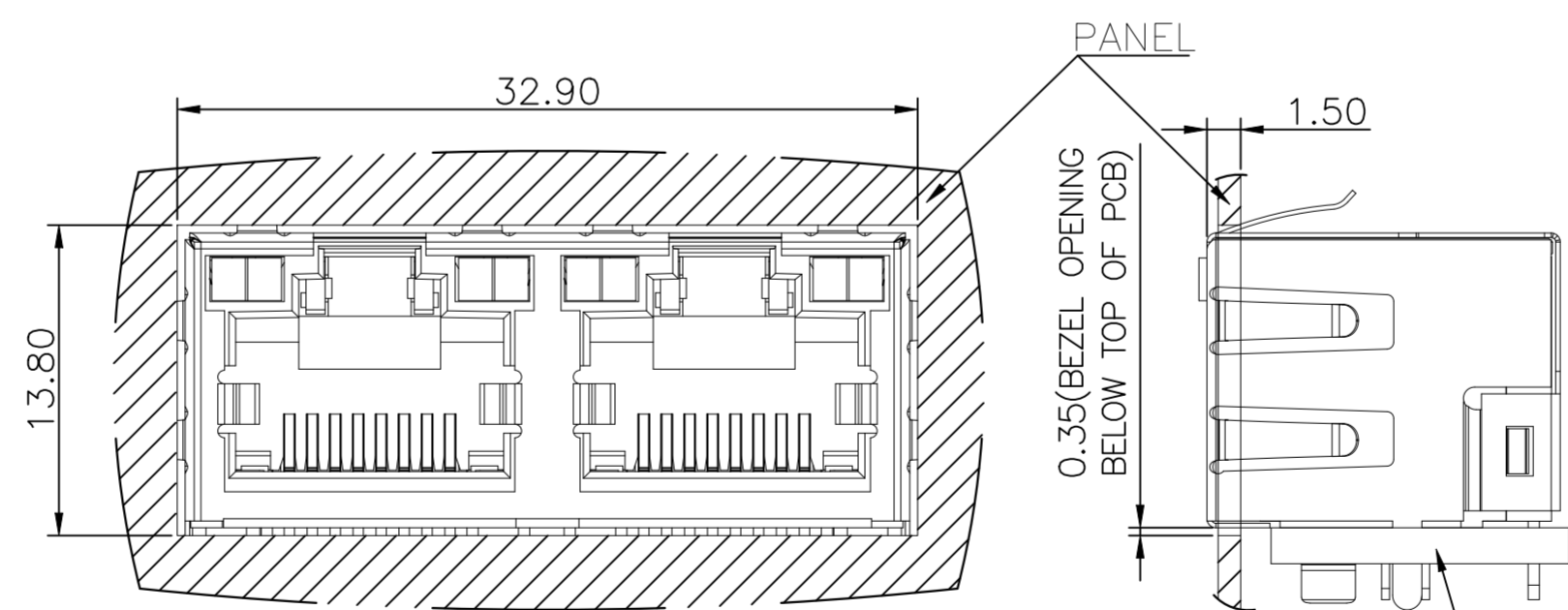
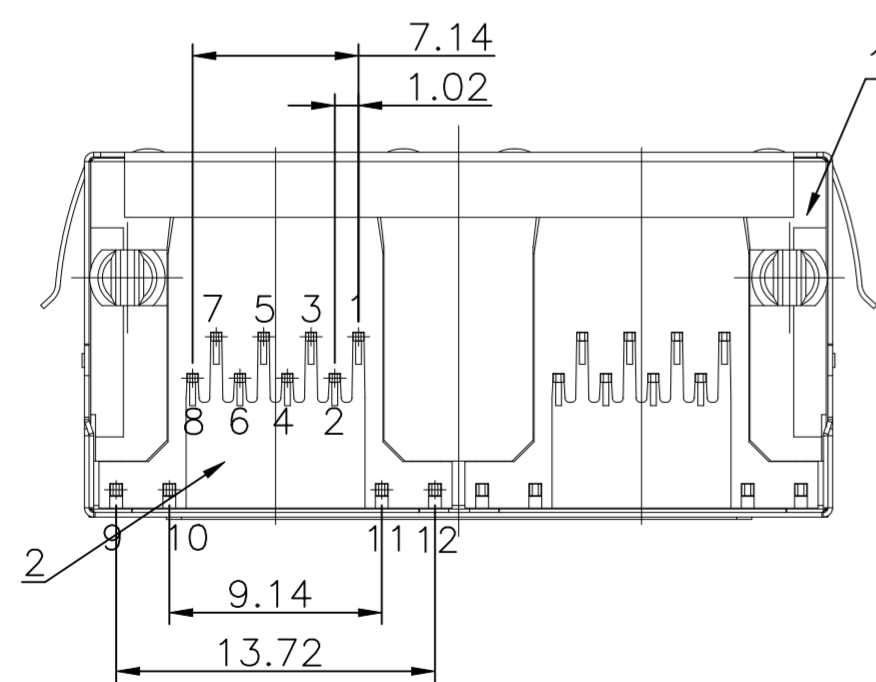
**Note:**  
 X= 1,2,3,4,5,6  
 YYWWD  
 YY=YEAR  
 WW=WEEK  
 D=1 for Sunday -  
 7 for Saturday



**NOTE:**  
 1.Housing:Glass Filled PA46 BLACK UL94V-0(RoHS).  
 2.Insert:Glass Filled PBT BLACK UL94V-0(RoHS).  
 4.Shell:0.2mm Thickness Copper Alloywith Nickel Plated(RoHS).  
 4.Contact:0.35x0.46 Phosphor Bronze(RoHS).  
 5.Led1:YELLOW (RoHS).  
 6.Led2:GREEN (RoHS).  
 ※Mates With Modular Plug Conforming To Fcc Part 68,Subpart F.  
 ※The Dimensions Marked "▲" Symbols Are Stand For Key Characteristics.



RECOMMENDED P. C. B LAYOUT TOP VIEW  
 (COMPONENT SIDE) TOLERANCE ±0.05



RECOMMENDED PANEL CUTOUT

GF	2496701-6
0.0762 µm [3µ"]	2496701-5
0.1524 µm [6µ"]	2496701-4
0.381 µm [15µ"]	2496701-3
0.762 µm [30µ"]	2496701-2
1.27 µm [50µ"]	2496701-1
<b>GOLD PLATING THICKNESS</b>	<b>PART NUMBER</b>

THIS DRAWING IS A CONTROLLED DOCUMENT.		DWN	TARUN, R	28OCT2024	TE Connectivity RJ45 W/O MAGNET 1X2 LED	
DIMENSIONS: mm [INCHES]		CHK	RAMESH, KIVADER	30OCT2024		
TOLERANCES UNLESS OTHERWISE SPECIFIED:		APVD	RAGHAVAN, CG	30OCT2024		
0 PLC ± - 1 PLC ± 0.35 2 PLC ± 0.25 3 PLC ± 0.15 4 PLC ± - ANGLES ± 2°		PRODUCT SPEC	108-161621			
MATERIAL	FINISH	APPLICATION SPEC	114-161218		SIZE	A2
-	-	WEIGHT	-		CAGE CODE	00779
CUSTOMER DRAWING			SCALE		DRAWING NO	C=2496701
			1:1		SHEET	1 OF 1
					REV	A