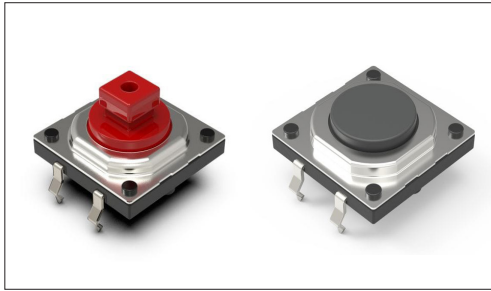


TACT Switch™ Snap-in Type

12mm Square (Snap-in)
SKQE Series

Long-life type with unique dust-proof structure and high-reliability metal contacts, capable of 10 million operations.

Dust-proof Type



- Series type: Sharp feeling type
- Rating (max.): 50mA 12V DC
- Rating (min.): 10μA 1V DC

Applications: Energy_Industrial: Industrial equipment
Home: Major home appliances, Office equipment

Product List

Products No.	Operating direction	Operating force (N)	Travel (mm)	Operating life (cycles)	Initial contact resistance	Stem	Dimensions (W×D×H) (mm)	Water-proof	Dust-proof	Automotive	Drawing No.
SKQEAAA010	Top push	1.57	0.3	10,000,000	100mΩ max.	Joint stem	12.0×12.0×7.3	—	●	—	1
SKQEACA010	Top push	2.55	0.3	10,000,000	100mΩ max.	Joint stem	12.0×12.0×7.3	—	●	—	
SKQEABA010	Top push	1.57	0.3	10,000,000	100mΩ max.	Flat stem	12.0×12.0×4.3	—	●	—	2
SKQEADA010	Top push	2.55	0.3	10,000,000	100mΩ max.	Flat stem	12.0×12.0×4.3	—	●	—	

Note

1. This catalog shows only outline specifications. When using the products, please obtain formal specifications for supply.
2. Please use 1.6mm thick PC boards.
3. Please place purchase orders per minimum order unit (integer).

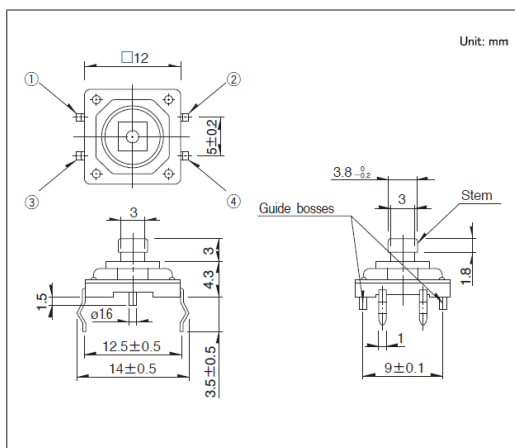
Packing Specifications

Bulk

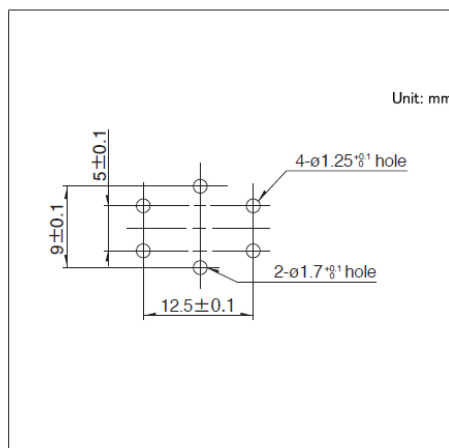
Number of packages (pcs.)		Export package measurements (mm)
1 case / Japan	1 case / export packing	
4,000	12,000	309 x 476 x 347

Drawing No. 1

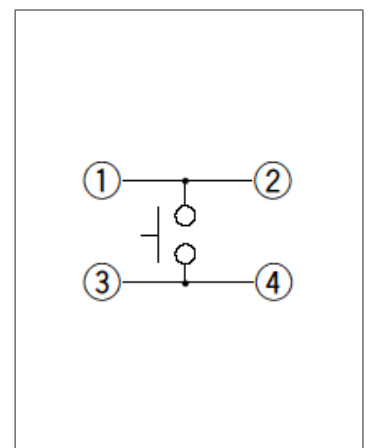
Dimensions



Mounting Hole Dimensions



Circuit Diagram



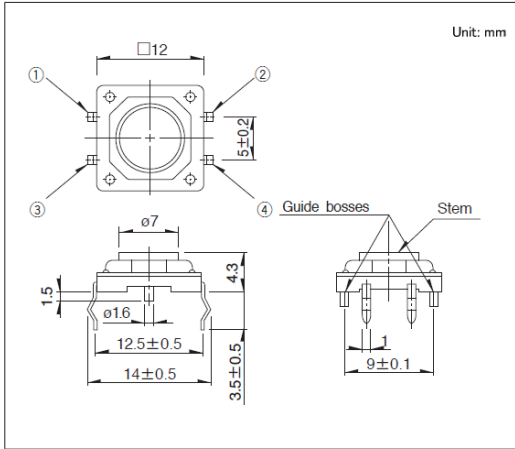
Viewed from mounting face.

TACT Switch™ Snap-in Type

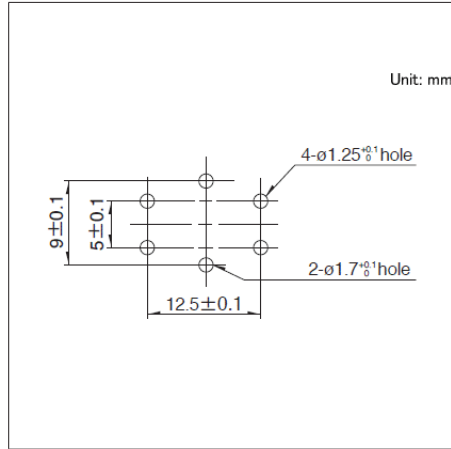
12mm Square (Snap-in)
SKQE Series

Drawing No.2

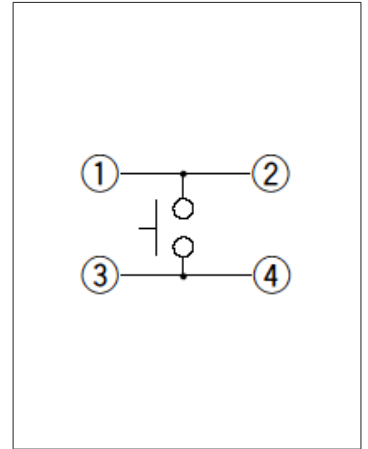
■ Dimensions



■ Mounting Hole Dimensions



■ Circuit Diagram



Viewed from mounting face.