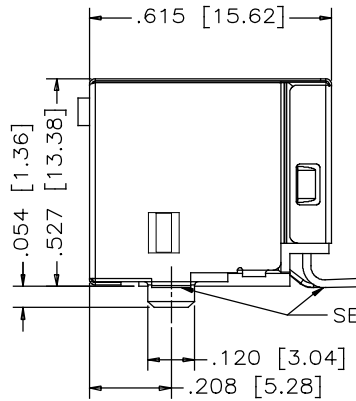
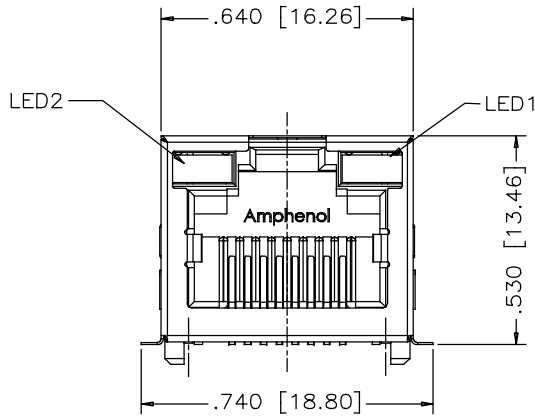
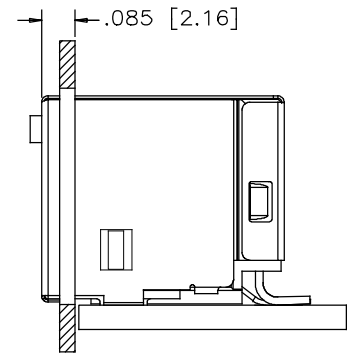
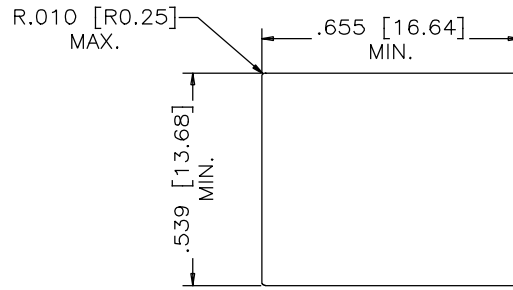
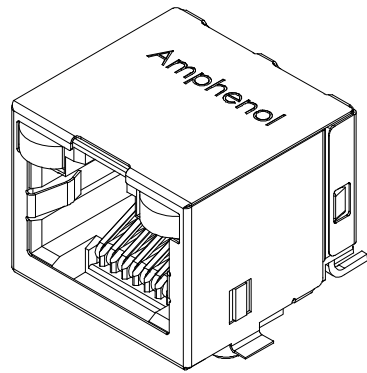
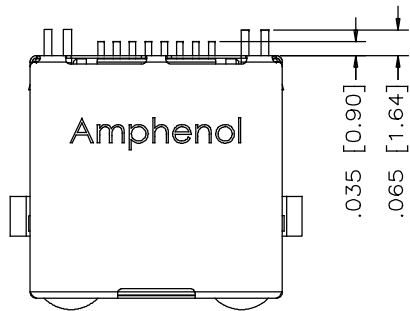
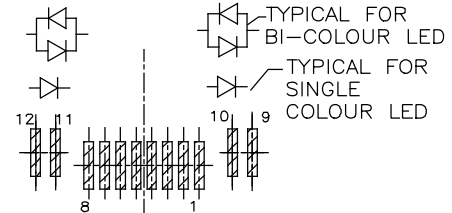


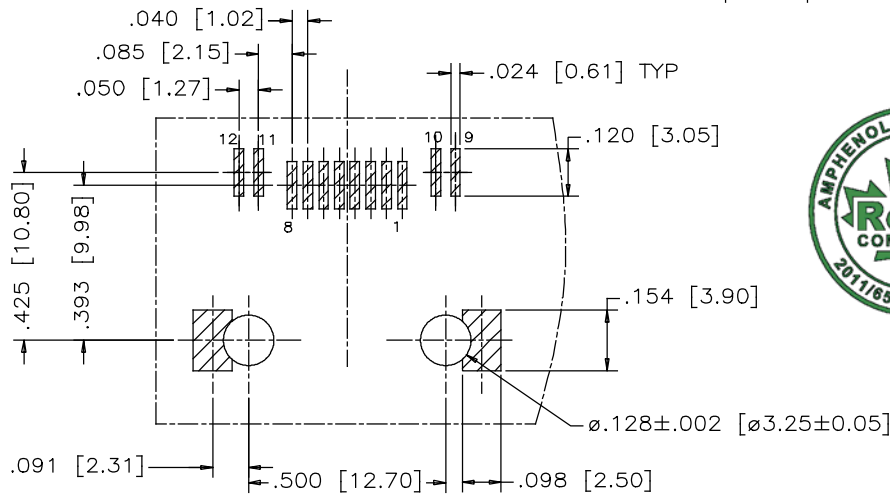
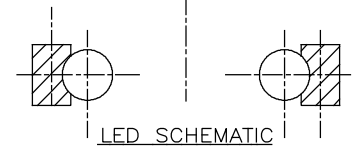
REVISIONS			
REV	DESCRIPTION, ECN, EAR NO.	DATE	APP'D
A	PROPOSAL	APR 11/17	L.CHAN



RECOMMENDED PANEL CUT-OUT



BI-COLOUR LED DETAIL  
(RED/YELLOW AND GREEN/ORANGE LED'S ARE ALSO AVAILABLE)



1, MATERIALS:

HOUSING: HIGH TEMPERATURE THERMOPLASTIC  
FLAMMABILITY RATING UL 94V-0  
COLOR: BLACK

CONTACTS: PHOSPHOR BRONZE  
GOLD PLATING ON MATING SURFACE REFER TO AMPHENOL PART SYSTEM.

PLATING: 50 u" [1.27 MICRONS] MIN NICKEL UNDERPLATE.  
100 u" [2.54 MICRONS] MIN MATTE-TIN OR GOLD FLASH ON CONTACT TAILS.

SHIELD: STAINLESS STEEL WITH MATTE TIN PLATING.

2, ALLOW 0.6% LED DEFECT RATE AFTER 260° IR REFLOW PROCESS

3, COPLANARITY SPECIFICATION:

THE MAXIMUM GAP BETWEEN ALL TERMINAL TAILS IS 0.10 [0.004]

PART NUMBER: RJCSE-X48X-01X

GOLD PLATING OPTION

0 = 1~3u" 4 = 30u"  
2 = 6u" 5 = 50u"  
3 = 15u" A = 20u"

REFER TO LED OPTIONS DRAWING

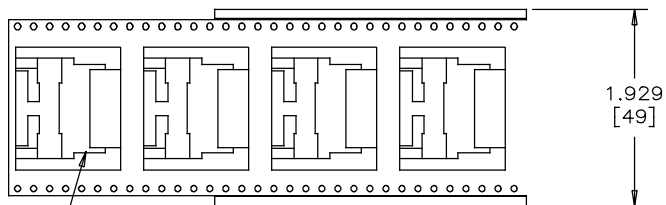
RECOMMENDED P.C.B. LAYOUT  
(COMPONENT SIDE OF BOARD)

UNLESS SPECIFIED OTHERWISE	DRAWN RONNIE.C	APR 11/17
PRIMARY UNITS INCHES	CHECKED AMY.Z	APR 11/17
SECONDARY MILLIMETERS	M.E. APP'D	
REFERENCE IN PARENTHESES	Q.A. APP'D	
	DWG APP'D	
1 DECIMAL PLACE	ENG. REL NO. EAR# RJ17077	
2 DECIMAL PLACES	REF.	
3 DECIMAL PLACES ±0.015		
ANGULAR DEGREES		

Amphenol Canada Corp. www.amphenolcanada.com	
TITLE SINGLE PORT SURFACE MOUNT JACK 8 POSITIONS, 8 CONTACTS, SHIELDED WITHOUT TABS, WITH LED OPTION- RoHS COMPLIANT	
DWG NO. P-RJCSE-X48X-01X	REV A
CODE ID NO. 03554	DWG SIZE SCALE SHEET 1 OF 2

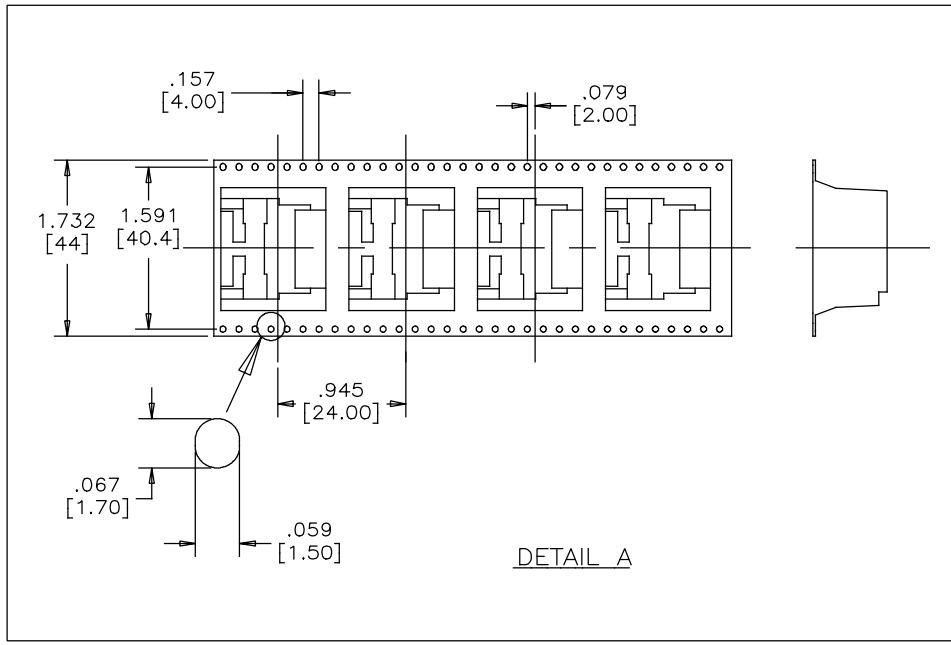
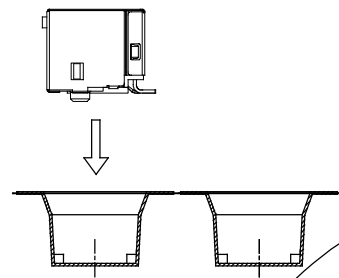
REVISIONS			
REV	DESCRIPTION, ECN, EAR NO.	DATE	APP'D
A	PROPOSAL	APR 11/17	L.CHAN

← DIRECTION OF CONNECTOR LOADED INTO MACHINE.  
LEADS FACING FRONT SIDE

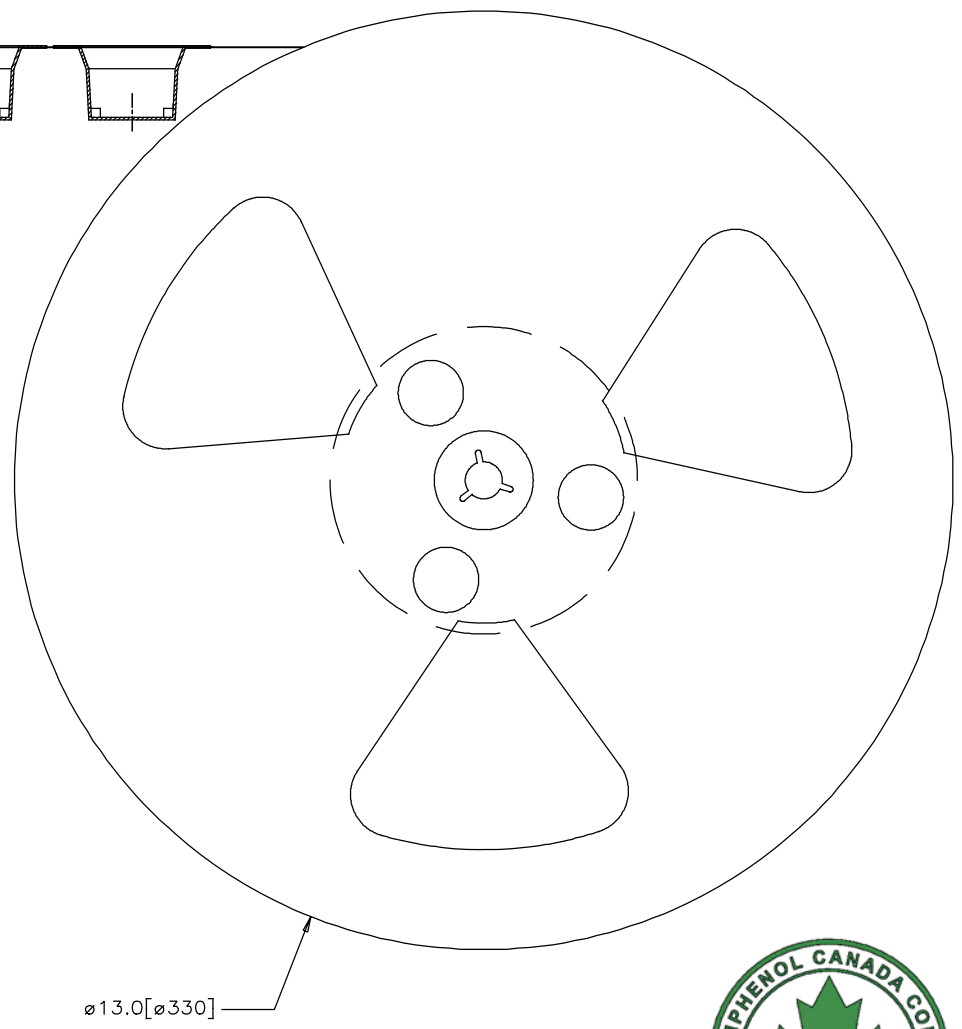


TOP VIEW  
(COVER TAPE NOT SHOWN)

SEE DETAIL 'A'



DETAIL A



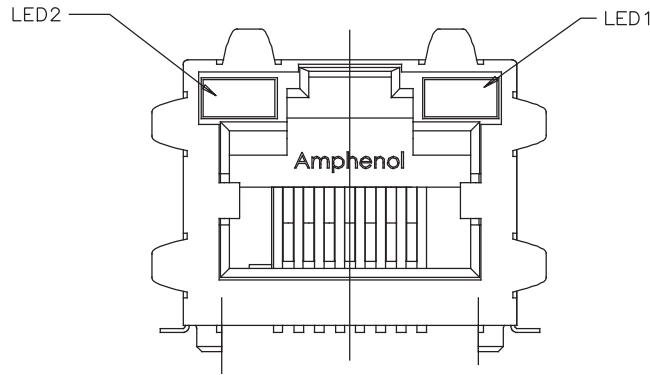
- PACKAGING NOTES:
1. ONE REEL SHOULD HOLD 150 CONNECTORS.
  2. 15 EMPTY CAVITIES FOR CARRIER TAPE LEADER & 10 EMPTY CAVITIES FOR CARRIER TAPE TRAILER.
  3. A FULLY LOADED CARTON SHOULD CONTAIN 5 REELS OF CONNECTORS.

UNLESS SPECIFIED OTHERWISE	DRAWN	RONNIE.C	APR 11/17
PRIMARY UNITS INCHES	CHECKED	AMY.Z	APR 11/17
SECONDARY MILLIMETERS	M.E. APP'D		
REFERENCE IN PARENTHESES	Q.A. APP'D		
	DWG APP'D		
1 DECIMAL PLACE	ENG. REL NO.	EAR#	RJ17077
2 DECIMAL PLACES	REF.		
3 DECIMAL PLACES ±0.015			
ANGULAR DEGREES ±1.5'	THIRD ANGLE PROJECTION		
	DO NOT SCALE DRAWING		

Amphenol Canada Corp.		www.amphenolcanada.com	
TITLE			
SINGLE PORT SURFACE MOUNT JACK			
8 POSITIONS, 8 CONTACTS, SHIELDED WITHOUT TABs, WITH LED OPTION- RoHS COMPLIANT			
DWG NO.		P-RJCSE-X48X-01X	
CODE ID NO. 03554		SCALE	SHEET 2 OF 2



REVISIONS				
SYM	ZONE	ECN, ERN NO.	DATE	APPRD.
A		PER ECN E07065	MAR14/07	L.CHAN
B		PER ECN E07131	MAY10/07	L.CHAN
C		ADD LED Y OPTION	JUL04/12	L.CHAN
D		ADD NEW ROHS STAMP	DEC28/12	L.CHAN
E		ADD LED R OPTION	JUN25/13	L.CHAN



TYPICAL FOR SINGLE & MULTI-PORT

**EXAMPLE:**

PART NUMBER RJCSE-538X

LED COLOR CODE



**LED SPECIFICATIONS:**

FORWARD VOLTAGE: 2.1 VOLTS TYP.

REVERSE VOLTAGE: 5.0 VOLTS MIN.

LUMINOUS INTENSITY: 0.5 mCd MIN.

(AT If=2mA)

STORAGE TEMPERATURE: -20° TO 85° C

LEAD SOLDERING TEMPERATURE: 260° C

(5 SEC, 1/16" FROM CASE)

PLATING ON TAILS: TIN OR TIN/COPPER ALLOY OVER SILVER

**PRIMARY COLOR FOR BI-COLOR**

LEDS IN STANDARD ANODE/

CATHODE CONFIGURATION IS:

RED-GREEN= RED

RED-YELLOW= RED

GREEN-YELLOW= GREEN

GREEN-ORANGE= GREEN

**LEGEND**

BiC=BI-COLOR LED

LOWC=LOW CURRENT LED

YE=YELLOW

GR=GREEN

RD=RED

OR=ORANGE

**NOTE:**

THE TWO DIGITS PRECEDING THE ADDITIONAL LED CODE MUST BE USED IN THE PART NUMBER, WHEN ORDERING ANY OF THE ADDITIONAL LED OPTIONS.

CODE	LED 2 (LEFT)	LED 1 (RIGHT)	CODE	LED 2 (LEFT)	LED 1 (RIGHT)	CODE	LED 2 (LEFT)	LED 1 (RIGHT)
0	BLOCKED	BLOCKED	9	GREEN	BLOCKED	J	BiC RD/GR	YELLOW
1	YELLOW	GREEN	A	BiC GR/YE	BiC GR/YE	K	YELLOW	BiC GR/OR
2	BLOCKED	GREEN	B	BiC RD/GR	BiC RD/GR	L	BiC GR/YE	RED
3	YELLOW	BLOCKED	C	BiC RD/GR	BiC GR/YE	M	RED	YELLOW
4	GREEN	YELLOW	D	GREEN	BiC GR/YE	P	GREEN	BiC RD/GR
5	GREEN	GREEN	E	YELLOW	BiC GR/YE	R	BiC GR/OR	GREEN
6	YELLOW	YELLOW	F	BiC GR/YE	YELLOW	T	RED	RED
7	RED	GREEN	G	BiC GR/OR	BiC GR/OR	V	BiC RD/GR	GREEN
8	GREEN	RED	H	BiC GR/YE	GREEN	W	ADDITIONAL	OPTIONS

**EXAMPLE OF ADDITIONAL LED OPTIONS:**

PART NUMBER RJCSE-538W-01Y

ADDITIONAL LED COLOR CODE

↑ DENOTES ADDITIONAL LED OPTIONS TO BE USED

CODE	LED 2 (LEFT)	LED 1 (RIGHT)	CODE	LED 2 (LEFT)	LED 1 (RIGHT)	CODE	LED 2 (LEFT)	LED 1 (RIGHT)
0	DO NOT USE		5	BLOCKED	YELLOW	A	LOWC YE	LOWC YE
1	RED	BLOCKED	6	RED	BiC RD/GR	B	LOWC YE	LOWC GR
2	BiC GR/OR	YELLOW	7	BLOCKED	BiC RD/GR	C	LOWC GR	LOWC YE
3	YELLOW	RED	8	BiC RD/GR	BLOCKED	D	LOWC GR	LOWC GR
4	BLOCKED	RED	9	BiC GR/YE	BLOCKED	M	LOWC RD	LOWC YE
						E	GREEN	ORANGE
						F	ORANGE	GREEN
						G	BiC OR/GR	BiC OR/GR
						R	BiC GR/RD	BiC GR/RD

DRAWN J.OUYANG	DATE MAR14/07
DESIGNED	
CHECKED CHIGOW.XU	MAR14/07
I. E. APPRD. YM,Lee	MAR14/07
Q. A. APPRD.	
DWG. APPRD.	
ENG. REL. NO. ECN E07065	
REF. EAR A070503	
DIMENSIONS ARE IN INCHES [mm]	CODE ID. NO. 03554

Amphenol Canada Corp.	
TITLE LED OPTIONS FOR RJCSE, SINGLE OR MULTI-PORT CONNECTORS - RoHS COMPLIANT	
DWG	DRAWING NO. P-RJCSE-LEDS
REV.	E
SCALE	WT. ----- SURF. ----- SHEET 1 OF 1

THIS DOCUMENT CONTAINS PROPRIETARY INFORMATION AND SUCH INFORMATION MAY NOT BE DISCLOSED TO OTHERS FOR ANY PURPOSE OR USED FOR MANUFACTURING PURPOSES WITHOUT WRITTEN PERMISSION FROM AMPHENOL CANADA CORP.