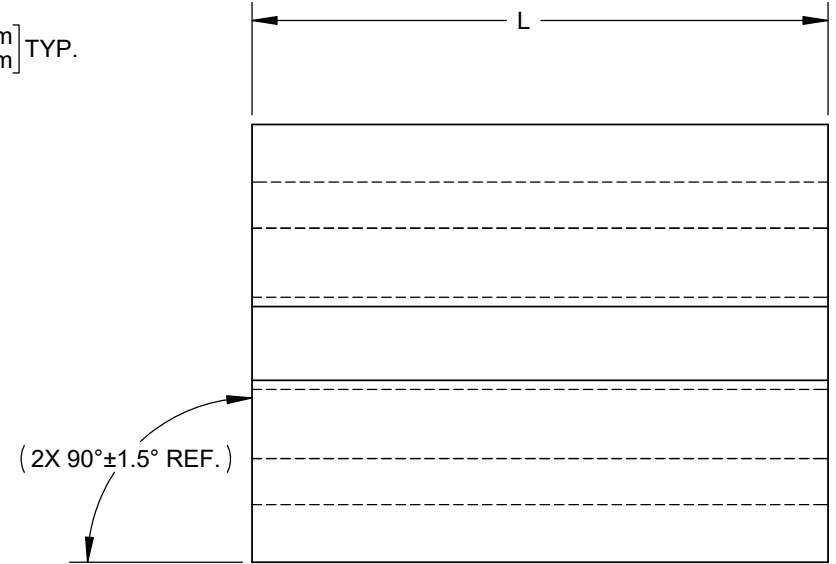
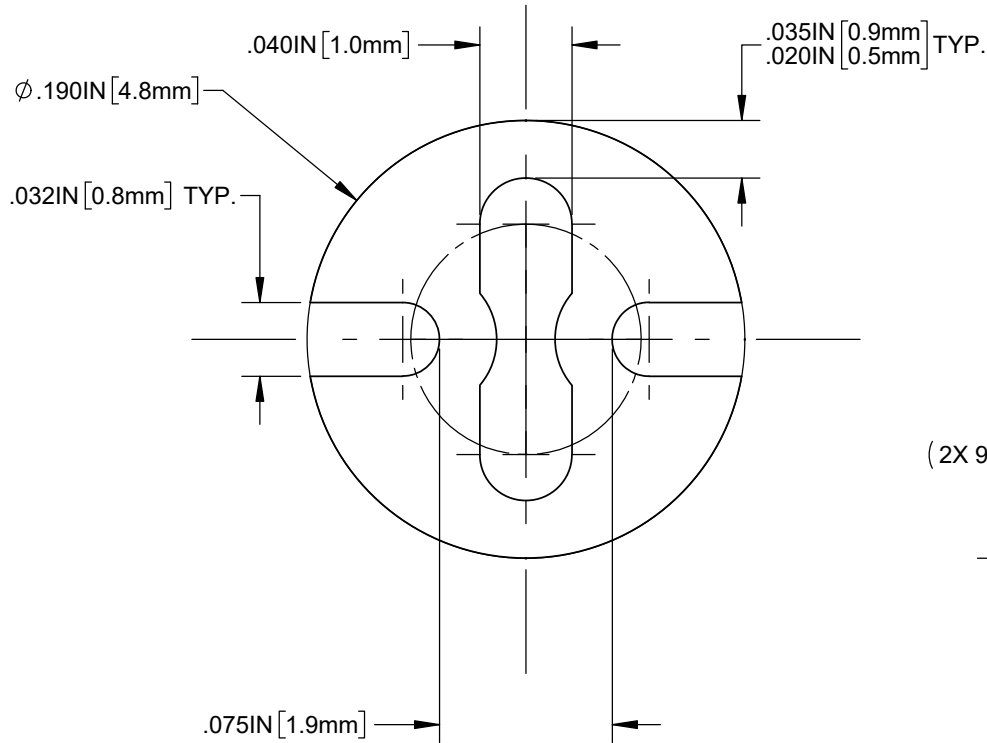



NOTES:

1. GENERAL SPECIFICATIONS: BIVAR EXTRUDED PROFILE SPECIFICATIONS: BV00-M101.
2. MATERIAL: PVC ALLOY, 94V-0 COMPLIANT, BLACK.
3. TOLERANCE "L" DIMENSION:
 0.030 - 0.500 (1.0 - 12.7 mm)±0.005 (0.1mm)
 0.505 - 0.750 (12.8 - 19.1 mm)±0.008 (0.2mm)
 0.755 - 1.250 (19.2 - 31.8 mm)±0.015 (0.4mm)

REVISIONS			
REV.	DESCRIPTION	DATE	APPROVED
N	ECO-1341: ADDED ANGLE TOLERANCE	7/25/2025	A.V.
P	ECO-1346: LEAD CAVITY DIM CHANGE	8/20/2025	D.A.
R	ECO-1346: DIM CHANGE NOTIFICATION	8/25/2025	D.A.
T	ECO-1358: LEAD CAVITY DIM CHANGE	11/5/2025	D.A.
U	ECO-1367: UPDATED DIMENSIONS	1/14/2026	D.A.



CUSTOMER USE DRAWING

STANDARD TOLERANCE (UNLESS OTHERWISE SPECIFIED)		 4 THOMAS, IRVINE, CA. 92618 TEL: (949) 951-8808 FAX: (949) 951-3974	
DECIMALS	ANGULAR		
.X ± .1	X° ± 1°	TITLE: EXTRUDED, SELF-RETAINING LED MOUNT	
.XX ± .01			
.XXX ± .005		DRAWING NO: ELM 2-XXX REVISION: U	
DESIGNED: S. IRVING	DATE: 2/13/1998	SHEET SIZE A	CAGE CODE: 32559
REVISD: K. BARON	DATE: 1/14/2026		
CHECKED: D. ASHBY	DATE: 1/14/2026	SCALE: 12:1	SHEET # 1 OF 1

CAD GENERATED DOCUMENT, DO NOT MEASURE DRAWING