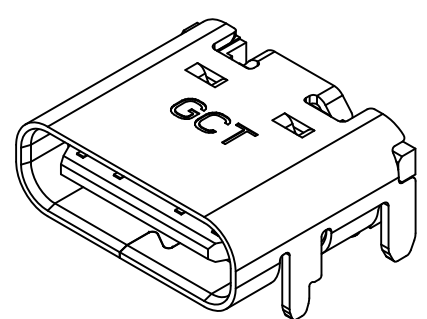
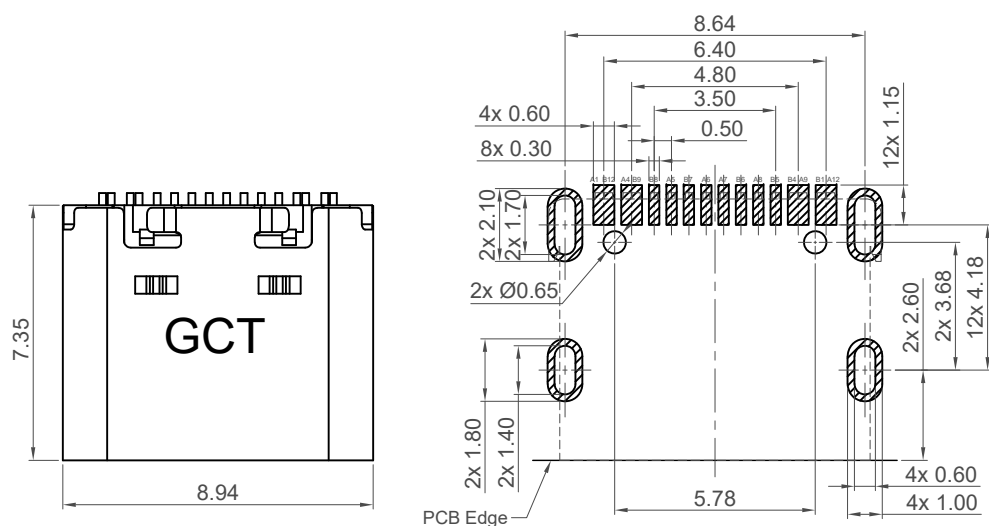


H  
G  
F  
E  
D  
C  
B  
A



**Recommended PCB Layout**  
As viewed from component side Tolerance: ±0.05mm

Pin	Signal	Mating Sequence	Pin	Signal	Mating Sequence
A1	GND	First	B12	GND	First
A4	Vbus	First	B9	Vbus	First
A5	CC1	Second	B8	SBU2	Second
A6	Dp1	Second	B7	Dn2	Second
A7	Dn1	Second	B6	Dp2	Second
A8	SBU1	Second	B5	CC2	Second
A9	Vbus	First	B4	Vbus	First
A12	GND	First	B1	GND	First
SHELL		GND	SHELL		GND

**Specifications**

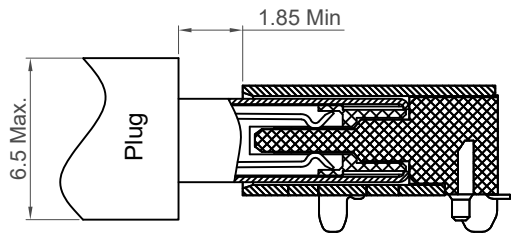
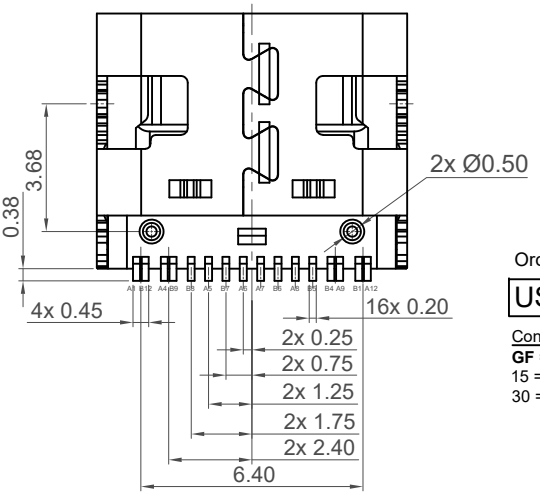
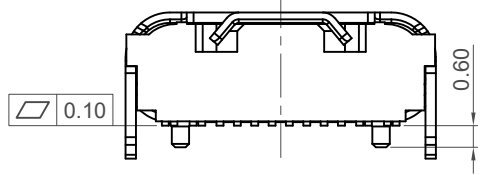
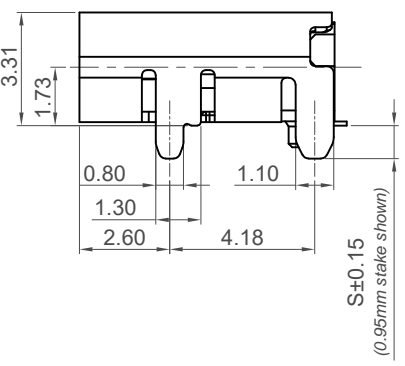
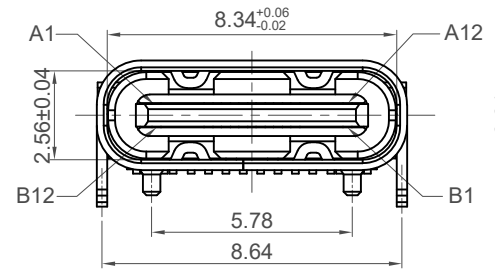
**Material**  
 Insulator: LCP, UL 94V-0, Black  
 Contact: Copper Alloy  
 Shell: Stainless steel  
 Mid Plate: Stainless Steel

**Plating**  
 Contact:  
 Contact Area: See Ordering Grid  
 Solder Tails: Gold Flash  
 Underplating: 50µ" min. Nickel All Over  
 Shell: 30µ" min. Nickel  
 Mid Plate: Clear

**Electrical**  
 Current Rating: 5.00A collectively for Vbus pins  
 6.25A collectively for GND pins  
 1.25A for A5/B5 pin  
 0.25A per pin for all other pins

Voltage Rating: 48V DC  
 Power Rating: 240W  
 Contact Resistance: 40mΩ max. initial.  
 50mΩ max. after test  
 Dielectric Withstanding Voltage: 100V AC  
 Insulation Resistance 100MΩ min.

**Mechanical & Environmental**  
 Operating Temperature: -40°C to +85°C  
 Mating Force: 5 to 20 N.  
 Unmated Force: 6 to 20 N after test  
 Durability: 20,000 cycles



**Plug and Receptacle Mating View**

**Ordering Grid**

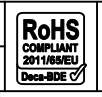
USB4105 - XX - A - XXX

**Contact Plating**  
 GF = Gold Flash (standard)  
 15 = 15µ" Gold  
 060 = 0.60mm  
 30 = 30µ" Gold

**Shell Stake Length "S"**  
 Blank = 0.95mm  
 060 = 0.60mm  
 120 = 1.20mm

**Packing Options**  
 A = Tape & Reel

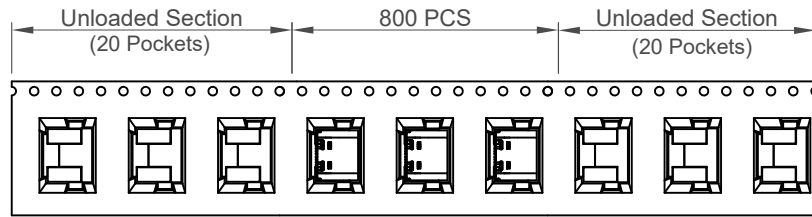
Part Number		Product Description	
USB4105		USB Type C Receptacle for USB 2.0	
Drawing Date		SMT Type, PCB Top Mount	
4th October 2019			
By	CC	Tolerances (Except as Noted)	Units:
Detail	USB4105 B PCN	Length X. ± 0.38 X.X ± 0.30 X.XX ± 0.15 X.XXX ± 0.10	Metric (mm)
Revision	B4	Angle X ± 2° X.X ± 1°	
Date	18/12/23		



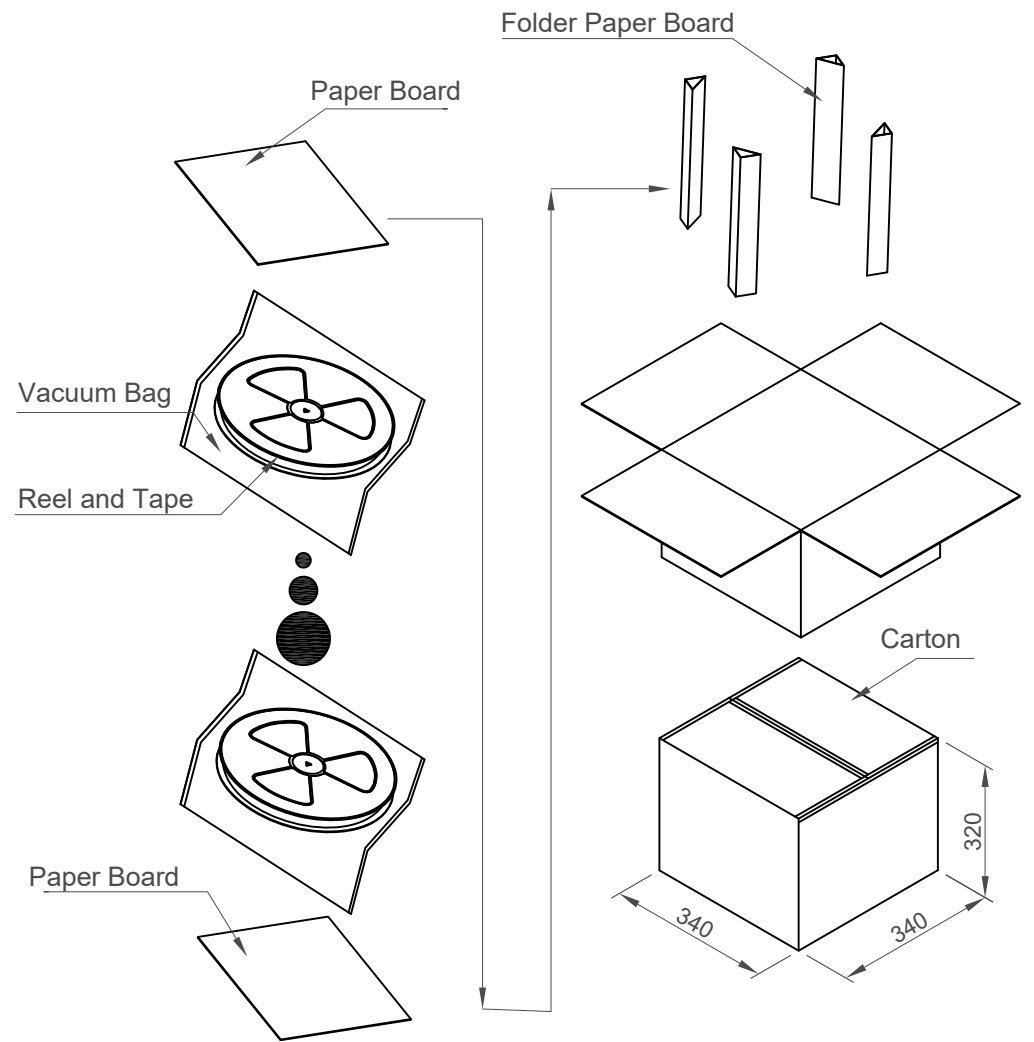
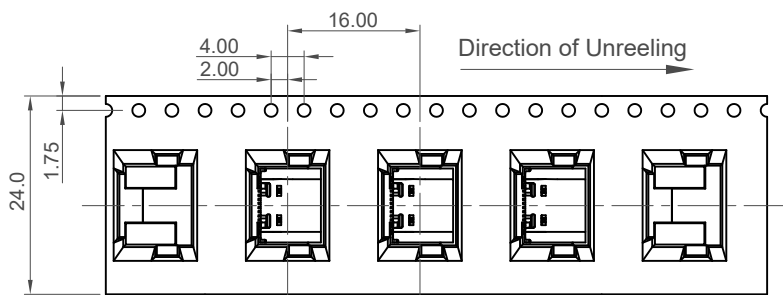
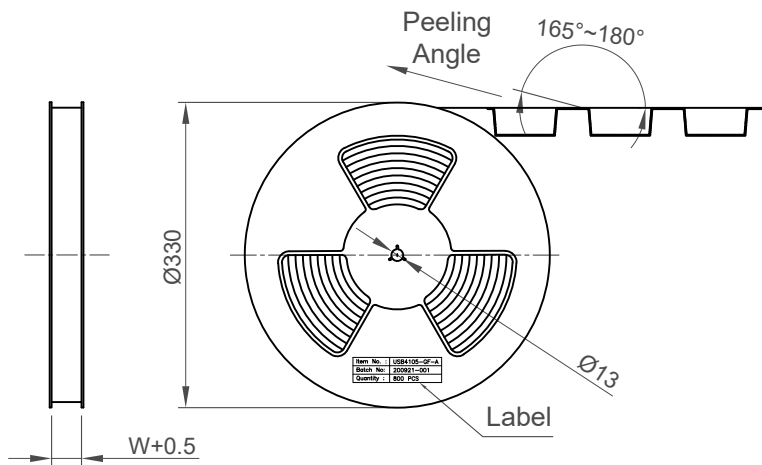
This drawing is confidential and copyright of Global Connector Technology, Ltd (GCT). This drawing must not be copied or disclosed without written consent. E & OE

**GCT**  
www.gct.co

Not to Scale	Drawn By CC	Sheet No. 1/2
--------------	-------------	---------------



Direction of Unreeling



Pcs / Reel	Reels / Carton	Total Quantity
800	10	8000 pcs

Part Number		Product Description	
USB4105		USB Type C Receptacle for USB 2.0	
Drawing Date		SMT Type, PCB Top Mount	
4th October 2019			
By	CC	Tolerances (Except as Noted)	Units:
Detail	USB4105 B PCN	Length	Metric (mm)
Revision	B4	Angle	
Date	18/12/23		



This drawing is confidential and copyright of Global Connector Technology, Ltd (GCT). This drawing must not be copied or disclosed without written consent. E & OE



Not to Scale	Drawn By CC	Sheet No. 2/2
--------------	----------------	------------------