

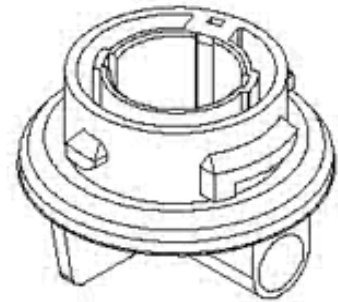
Part Number : [358431245](#)

Product Description : PT Bulb Socket Single Housing Assembly, Sealed, Type D, P21W, Gray

Series Number : 35843

Status : Not Recommended For New Design

Product Category : Sockets



Documents and Resources

Drawings

[358431245_sd.pdf](#)

Specifications

[PK-35843-001-001.pdf](#)

Product Environment Compliance

Compliance

GADSL/IMDS	Duty-To-Declare
China RoHS	Not Relevant
EU ELV	Compliant per 2000/53/EC
Low-Halogen Status	Low-Halogen per IEC 61249-2-21
REACH SVHC	Not Contained per D(2025)4165-DC (25 June 2025)
EU RoHS	Compliant per EU 2015/863

Compliance Statements

- EU RoHS
- REACH SVHC
- Low-Halogen

Industry Documents

- IPC 1752A Class C
- IPC 1752A Class D
- Molex Product Compliance Declaration
- IEC-62474
- chemSHERPA (xml)

Substances of Interest

- PFAS

EU RoHS Certificate of Compliance

Additional Product Compliance Information

Part Details

General

Status	Not Recommended For New Design
Category	Sockets
Series	35843
Description	PT Bulb Socket Single Housing Assembly, Sealed, Type D, P21W, Gray
Comments	D-Type
Component Type	Socket
Product Name	PT Bulb Socket
UPC	756054270066

Electrical

Current - Maximum per Contact	7.0A
Voltage - Maximum	12V

Physical

Circuits (Loaded)	2
Circuits (maximum)	2
Color - Resin	Gray
Durability (mating cycles max)	Contact Molex
Entry Angle	Vertical
Keying to Mating Part	No
Material - Resin	Nylon
Net Weight	9.586/g
Packaging Type	Bag
PCB Locator	No
PCB Retention	N/A
Pitch - Mating Interface	N/A

Temperature Range - Operating	-40° to +85°C
Termination Interface Style	Through Hole

Mates With / Use With

Mates with Part(s)

Description	Part Number
Mates With	Bayonet Base Bulb

Use with Part(s)

Description	Part Number
Positive Terminal for PT Bulb Socket, AVSS 0.50~0.85mm ²	<u>354648000</u>
Earth Terminal for PT Bulb Socket, AVSS 0.50~0.85mm ²	<u>354658000</u>
Positive Silicone Rubber Wire Seal for Sealed PT Bulb Socket	<u>359030096</u>
Earth Silicone Rubber Wire Seal for Sealed PT Bulb Socket	<u>359030106</u>

This document was generated on Apr 28, 2026