

SAC-5P-M12Y/2XM12FS VP S21 - Y distributor



1514029

<https://www.phoenixcontact.com/ae/products/1514029>

Please be informed that the data shown in this PDF document is generated from our online catalog. Please find the complete data in the user documentation. Our general terms of use for downloads are valid.



Y distributor, 5-position, unshielded, Plug straight M12, coding: A, on Socket straight M12, coding: A and Socket straight M12, coding: A, Parallel distributor

Commercial data

Item number	1514029
Packing unit	5 pc
Minimum order quantity	5 pc
Sales key	AF1
Product key	AF1GAB
GTIN	4017918943509
Weight per piece (including packing)	29.41 g
Weight per piece (excluding packing)	26.78 g
Customs tariff number	85366990
Country of origin	PL

1514029

<https://www.phoenixcontact.com/ae/products/1514029>

Technical data

Product properties

Product type	Y-distributor
Number of positions	5
No. of cable outlets	2
Shielded	no
Coding	A
Thread type	M12

Insulation characteristics

Overvoltage category	II
Degree of pollution	3

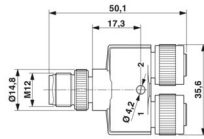
Electrical properties

Insulation resistance	$\geq 100 \text{ M}\Omega$
Nominal voltage U_N	48 V AC
	60 V DC
Nominal current I_N	4 A

Signaling

Status display	no
Status display present	no

Dimensions

Dimensional drawing	
Width	39 mm
Height	16 mm
Length	50.1 mm
Center distance	21 mm

Material specifications

Flammability rating according to UL 94	HB
Seal material	NBR
Material of grip body	TPU, hardly inflammable, self-extinguishing
Contact material	CuZn
Contact surface material	Ni/Au
Contact carrier material	TPU GF
Material for screw connection	Zinc die-cast, nickel-plated

SAC-5P-M12Y/2XM12FS VP S21 - Y distributor



1514029

<https://www.phoenixcontact.com/ae/products/1514029>

Connector

Connection 1

Type	Plug straight M12
Coding type	A

Connection 2

Type	Socket straight M12
Coding type	A

Connection 3

Type	Socket straight M12
Coding type	A

Mechanical properties

Mechanical data

Insertion/withdrawal cycles	≥ 100
-----------------------------	-------

Environmental and real-life conditions

Ambient conditions

Degree of protection	IP65
	IP67
Ambient temperature (operation) (male connector/female connector)	-25 °C ... 90 °C (Plug / socket)

Standards and regulations

Standard designation	M12 connector
Standards/specifications	IEC 61076-2-101

SAC-5P-M12Y/2XM12FS VP S21 - Y distributor

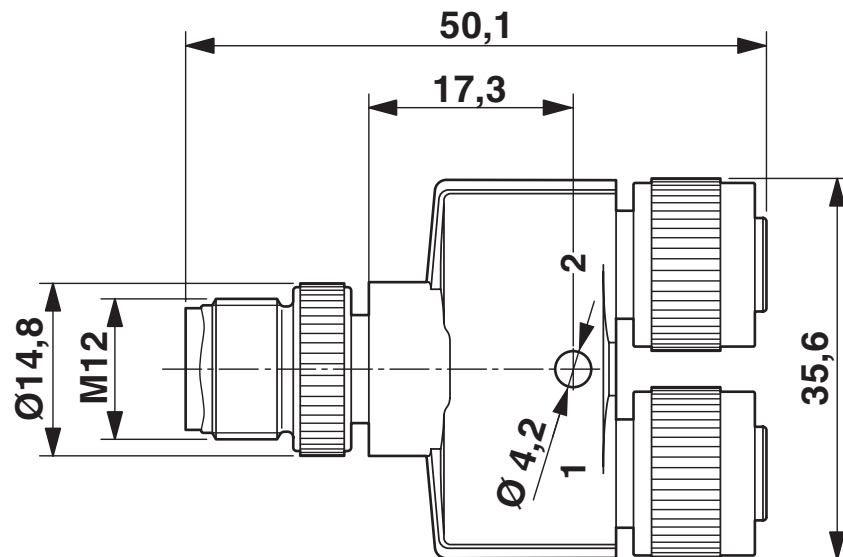


1514029

<https://www.phoenixcontact.com/ae/products/1514029>

Drawings

Dimensional drawing



Plug M12 x 1, Y distributor, inner gauge of 21 mm

Schematic diagram



Pin assignment M12 male connector, 5-pos., A-coded, male side

SAC-5P-M12Y/2XM12FS VP S21 - Y distributor



1514029

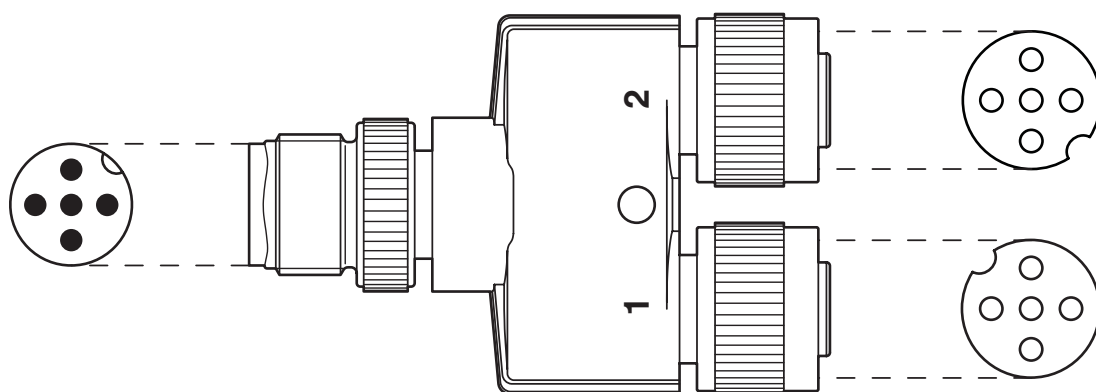
<https://www.phoenixcontact.com/ae/products/1514029>

Schematic diagram



Pin assignment M12 socket, 5-pos., A-coded, socket side view

Schematic diagram

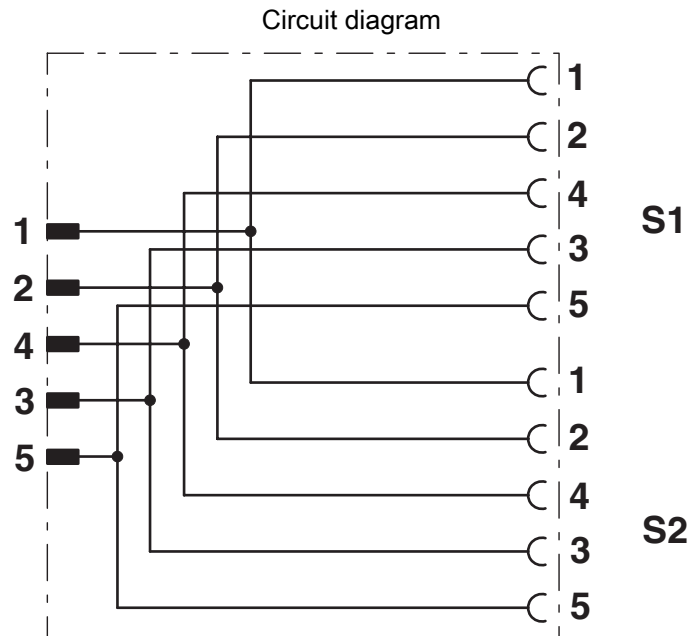


Layout of connector pin assignments

SAC-5P-M12Y/2XM12FS VP S21 - Y distributor

1514029

<https://www.phoenixcontact.com/ae/products/1514029>



Contact assignment of the M12 Y distributor

SAC-5P-M12Y/2XM12FS VP S21 - Y distributor



1514029

<https://www.phoenixcontact.com/ae/products/1514029>

Approvals

To download certificates, visit the product detail page: <https://www.phoenixcontact.com/ae/products/1514029>



EAC

Approval ID: RU C-DE.AI30.B.01102



UL Listed

Approval ID: E221474

	Nominal voltage U_N	Nominal current I_N	Cross section AWG	Cross section mm^2
keine				
	30 V	4 A	-	-



cUL Listed

Approval ID: E221474

	Nominal voltage U_N	Nominal current I_N	Cross section AWG	Cross section mm^2
keine				
	30 V	4 A	-	-

SAC-5P-M12Y/2XM12FS VP S21 - Y distributor



1514029

<https://www.phoenixcontact.com/ae/products/1514029>

Classifications

ECLASS

ECLASS-13.0	27440106
ECLASS-15.0	27440106

ETIM

ETIM 9.0	EC002925
----------	----------

UNSPSC

UNSPSC 21.0	31251500
-------------	----------

1514029

<https://www.phoenixcontact.com/ae/products/1514029>

Environmental product compliance

EU RoHS

Fulfills EU RoHS substance requirements	Yes, No exemptions
---	--------------------

China RoHS

Environment friendly use period (EFUP)	EFUP-E
	No hazardous substances above the limits

EU REACH SVHC

REACH candidate substance (CAS No.)	No substance above 0.1 wt%
-------------------------------------	----------------------------

EF3.0 Climate Change

CO2e kg	1.006 kg CO2e
---------	---------------

Phoenix Contact 2025 © - all rights reserved
<https://www.phoenixcontact.com>

PHOENIX CONTACT Middle East FZ LLC
1201N-1206N, Dubai Science Park Towers – North
P.O. Box 345002, Dubai, United Arab Emirates
(+971) 4 437-0324
info-me@phoenixcontact.com