

# ME-IO 37,6 EB 10U TBUS 7035 - Mounting base housing



1103438

<https://www.phoenixcontact.com/us/products/1103438>

Please be informed that the data shown in this PDF document is generated from our online catalog. Please find the complete data in the user documentation. Our general terms of use for downloads are valid.



DIN rail housing, Lower housing part with metal foot catch, with vents, width: 37.89 mm, height: 120.6 mm, depth: 82.85 mm, color: light gray (similar RAL 7035), cross connection: DIN rail bus connector (optional), number of positions cross connector: 5 or 8

## Your advantages

- Easy, tool-free mounting
- Optional DIN rail connector for easy module-to-module communication
- Lock and Release principle for automatic latching and intuitive release of the front connection plug
- Plastic in accordance with UL94 V0: for more rigorous flammability requirements
- Versatile use: deeper design for more PCB space
- Greater flexibility: combination with ICS series electronics housing using DIN rail connectors

## Commercial data

Item number	1103438
Packing unit	5 pc
Minimum order quantity	5 pc
Sales key	AC15
Product key	ACHEBA
GTIN	4055626966526
Weight per piece (including packing)	60.48 g
Weight per piece (excluding packing)	42.37 g
Customs tariff number	85389099
Country of origin	CN

# ME-IO 37,6 EB 10U TBUS 7035 - Mounting base housing

1103438

<https://www.phoenixcontact.com/us/products/1103438>

## Technical data

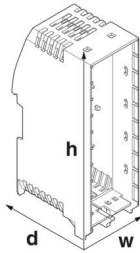
### Notes

Assembly note	Please observe the application note in the download area.
Recommendation	Material of contact pads for bus connector, galvanic gold (hard gold)

### Product properties

Housing type	DIN rail housing
Housing series	ME-IO
Product family	ME-IO 37,6
Max. number of positions	96 (pitch: 3.45 mm) 64 (pitch: 5 mm)
Ventilation openings present	yes

### Dimensions

Dimensional drawing	
Width	37.89 mm
Height	120.6 mm
Depth	82.85 mm
Depth from top edge of DIN rail	76.25 mm

### PCB design

PCB thickness	1.4 mm ... 1.8 mm
---------------	-------------------

### Material specifications

Color (Lower housing part)	light gray (RAL 7035)
Material Lower housing part	PA
Flammability rating according to UL 94	V0
CTI according to IEC 60112	600
Surface characteristics	untreated

### Environmental and real-life conditions

#### Power dissipation single housing for 20 °C

Ambient temperature	20 °C
Reduction factor	1
Mounting position	vertical

# ME-IO 37,6 EB 10U TBUS 7035 - Mounting base housing



1103438

<https://www.phoenixcontact.com/us/products/1103438>

Power dissipation	20.5 W
-------------------	--------

## Power dissipation single housing for 30 °C

Ambient temperature	30 °C
Reduction factor	0.82
Mounting position	vertical
Power dissipation	17 W

## Power dissipation single housing for 40 °C

Ambient temperature	40 °C
Reduction factor	0.64
Mounting position	vertical
Power dissipation	13.2 W

## Power dissipation single housing for 50 °C

Ambient temperature	50 °C
Reduction factor	0.49
Mounting position	vertical
Power dissipation	10.2 W

## Power dissipation single housing for 60 °C

Ambient temperature	60 °C
Reduction factor	0.31
Mounting position	vertical
Power dissipation	6.5 W

## Vibration test

Specification	IEC 60068-2-6:2007-12
Frequency	10 - 150 - 10 Hz
Sweep speed	1 octave/min
Amplitude	0.15 mm (10 Hz ... 58.1 Hz)
Acceleration	2g (58.1 Hz ... 150 Hz)
Test duration per axis	2.5 h
Test directions	X-, Y- and Z-axis

## Glow-wire test

Specification	IEC 60695-2-11:2014-02
Temperature	850 °C
Time of exposure	30 s

## Thermal stability / ball thrust test

Specification	IEC 60695-10-2:2014-02
Temperature	125 °C
Test duration	1 h
Force	20 N

## Mechanical strength / tumbling barrel

Specification	IEC 60068-2-31:2008-05
---------------	------------------------

# ME-IO 37,6 EB 10U TBUS 7035 - Mounting base housing



1103438

<https://www.phoenixcontact.com/us/products/1103438>

Height of fall	50 cm
Frequency	50

## Shocks

Specification	IEC 60068-2-27:2008-02
Pulse shape	Semi-sinusoidal
Acceleration	15g
Shock duration	11 ms
Number of shocks per direction	3
Test directions	X-, Y- and Z-axis (pos. and neg.)

## Test for substances that would hinder coating with paint or varnish

Specification	VDMA 24364:2018-05
---------------	--------------------

## Degree of protection (IP code)

Specification	IEC 60529:1989-11 + AMD 1:1999-11 + AMD 2:2013-08
---------------	---

## Ambient conditions

Max. IP code to attain	IP20
Ambient temperature (operation)	-40 °C ... 105 °C (depending on power dissipation)
Ambient temperature (storage/transport)	-40 °C ... 55 °C
Ambient temperature (assembly)	-5 °C ... 100 °C
Relative humidity (storage/transport)	80 %

## PCB data

Number of PCB holders	2
Type of PCB mount	Latching
Total PCB surface	17000 mm <sup>2</sup>
Thickness of the PCB	1.4 mm ... 1.8 mm

## Mounting

Mounting type	DIN rail mounting
---------------	-------------------

## Packaging specifications

Type of packaging	packed in cardboard
Outer packaging type	Carton

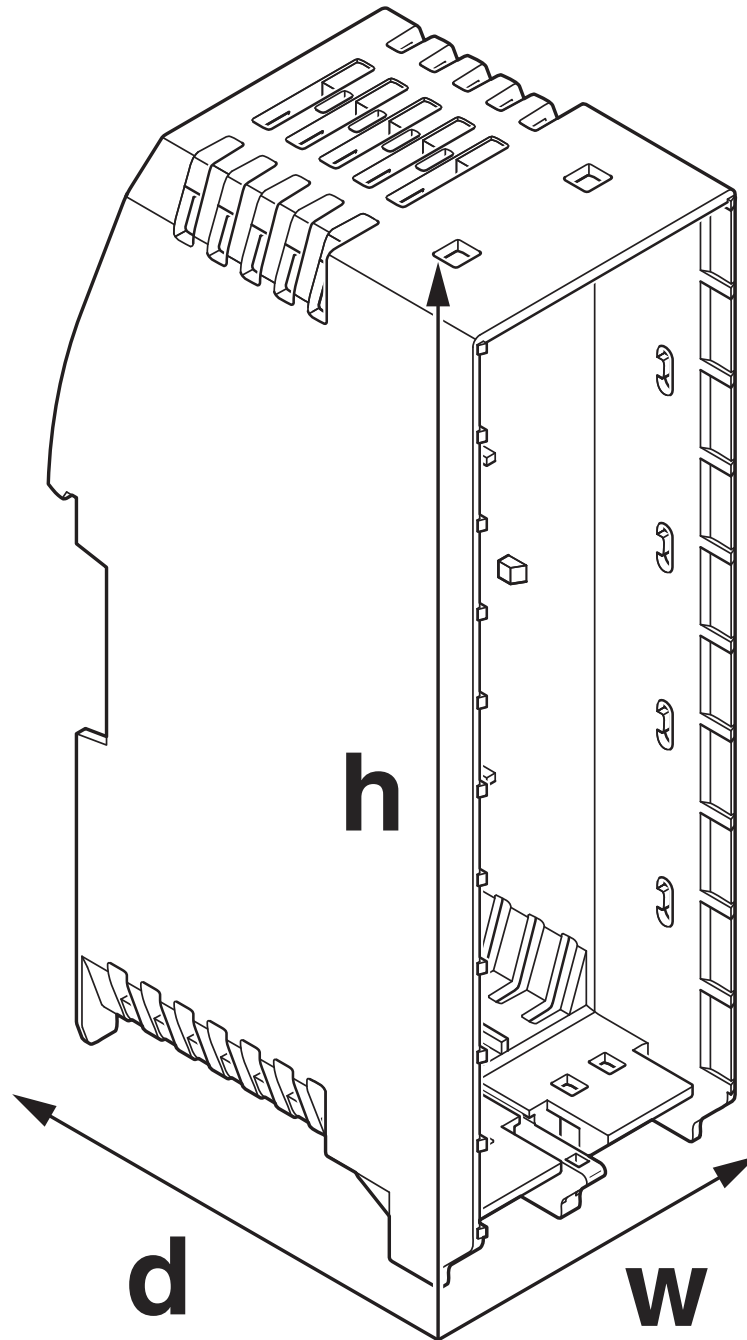
# ME-IO 37,6 EB 10U TBUS 7035 - Mounting base housing

1103438

<https://www.phoenixcontact.com/us/products/1103438>

## Drawings

Dimensional drawing



Schematic figure for illustrating the item dimensions. The figure is not of the desired product. For further details, refer to the product drawings in the "Downloads" tab.

# ME-IO 37,6 EB 10U TBUS 7035 - Mounting base housing



1103438

<https://www.phoenixcontact.com/us/products/1103438>

## Approvals

To download certificates, visit the product detail page: <https://www.phoenixcontact.com/us/products/1103438>



**UL Recognized**

Approval ID: E240868

# ME-IO 37,6 EB 10U TBUS 7035 - Mounting base housing



1103438

<https://www.phoenixcontact.com/us/products/1103438>

## Classifications

### ECLASS

ECLASS-13.0	27190601
ECLASS-15.0	27190601

### ETIM

ETIM 10.0	EC002779
-----------	----------

### UNSPSC

UNSPSC 21.0	31261500
-------------	----------

# ME-IO 37,6 EB 10U TBUS 7035 - Mounting base housing



1103438

<https://www.phoenixcontact.com/us/products/1103438>

## Environmental product compliance

### EU RoHS

Fulfills EU RoHS substance requirements	Yes, No exemptions
---	--------------------

### China RoHS

Environment friendly use period (EFUP)	EFUP-E
	No hazardous substances above the limits

### EU REACH SVHC

REACH candidate substance (CAS No.)	No substance above 0.1 wt%
-------------------------------------	----------------------------

Phoenix Contact 2026 © - all rights reserved  
<https://www.phoenixcontact.com>

Phoenix Contact USA  
586 Fulling Mill Road  
Middletown, PA 17057, United States  
(+717) 944-1300  
[info@phoenixcon.com](mailto:info@phoenixcon.com)