



SCHROFF

Project - 0 item(s)

MY PROJECT LIST

- PRODUCTS
- APPLICATIONS
- INDUSTRIES
- NEW PRODUCTS
- CONFIGURATORS

Products ▾

Search

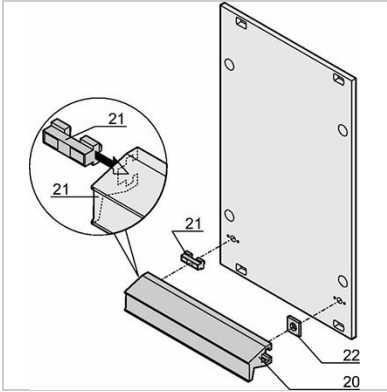


Home > Handle, static, trapeziform, aluminum

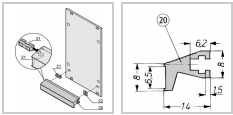


Handle, static, trapeziform, aluminum

SCHROFF



Other Views



Catalog Number: 20809-291

[Back To Product](#)

- Aluminium profile handle

Note:

Only PCB bracket 60807-011 can be used Fixing materials M2.5 pan head screw x 12FPCS PCB brackets are unsuitable

Specification:

IEC 60297-3-101

Handle:

AL Profile

Type:

Individual Components

Standard:

VME

Individual Component Type:

Handle

Standard pack quantity (SPQ):

Please take into consideration that deliveries may be carried out in the stated SPQs (SPQ, e.g. 5 pieces, 10 pieces, 50 pieces, etc.). Differing order quantities (e.g. 2 pieces) may be changed to the next possible delivery quantity = Standard Pack Quantity.

Delivery Includes:

kit

Product family:

Plug-in units



Select product specifications before modifying or adding to project list or requesting a quote.

Width-HP-defining

21

[Clear Selection](#)

Quantity

Add Item to Project List +

Documents

Main Catalog - Plug-in units

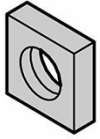
Links

Native CAD files

Technical Data

Width mm	105.2
Qty	1 piece (SPQ 10)
Delivery is exclusively made in Standard Pack Quantity (SPQ)	10
Material	Al, Anodized
Width HP	21

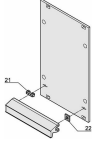
Accessories



Square nut, M2.5, St, nickel-plated, PU 100 pieces

21100-359

[Add Item to Project List +](#)



Fixing part for Al profile handle, 100 pieces

21100-476

[Add Item to Project List +](#)

EXPLORE

- [About Us](#)
- [Services & Capabilities](#)
- [News & Events](#)
- [Newsletter Subscriptions](#)
- [Strategic Partnerships](#)
- [Investor Relations](#)

CONTACT

- [Customer Service](#)
- [Find a Sales Office or Distributor](#)
- [Global Locations](#)
- [Product Compliance & Certifications](#)
- [Partner Login](#)

DOWNLOAD

- [Download Center](#)
- [Reference Projects](#)
- [Videos](#)
- [Product Configurators](#)
- [Warranties and Terms of Sale & Procurement](#)

© 2018 nVent. All rights reserved | [Privacy Policy](#) | [Terms of Use](#) | [Cookie Policy](#) | [Imprint](#) | [Site Map](#)

Connect With Us

