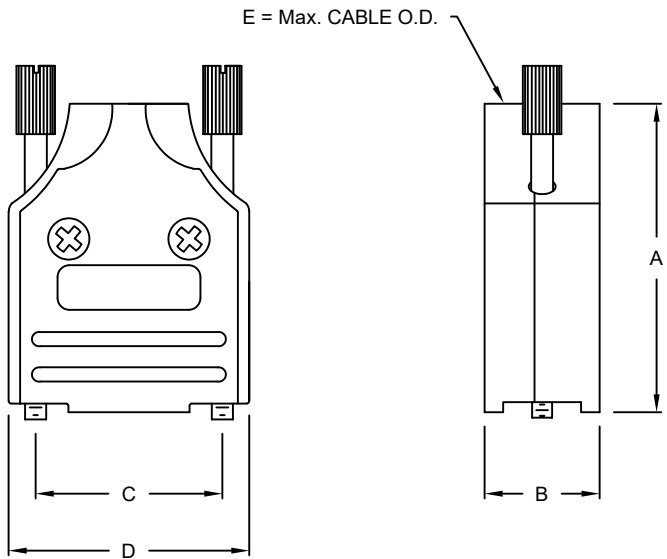


BACKSHELL KIT INCLUDES:

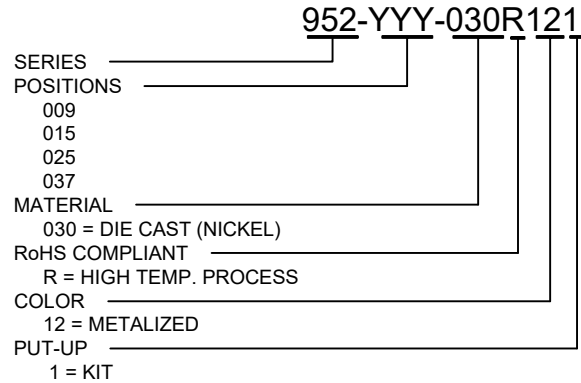
- (2) BACKSHELL HALVES
- (2) STRAIN RELIEF CLAMPS
- (2) STRAIN RELIEF SCREWS (M3x0.5mmx6)
- (2) MOUNTING SCREWS (M3x0.5mmx8mm)
- (2) THUMBSCREWS (#4-40)
- (3-SETS) METALIZED PLASTIC INSERTS

SPECIFICATIONS:

- BACKSHELL: DIE CAST ZINC ALLOY
- PLATING: NICKEL
- GROMMET: THERMOPLASTIC ABS
- COLOR: NATURAL NICKEL PLATED
- SCREW: STEEL, ZINC PLATED
- CLAMP: STEEL, NICKEL PLATED
- OPERATING TEMP: -40° C TO +120° C



DIMENSIONS (IN.)					
No. OF PINS	A	B	C	D	E
09	1.626	0.606	0.984	1.268	0.512
15	1.705	0.606	1.312	1.598	0.512
25	1.949	0.606	1.852	2.146	0.512
37	2.138	0.606	2.500	2.783	0.512



RoHS COMPLIANT

UNITS = inches

DO NOT SCALE FROM DRAWING



THESE DRAWINGS AND SPECIFICATIONS ARE THE PROPERTY OF NorComp AND SHALL NOT BE REPRODUCED, COPIED OR USED AS THE BASIS FOR THE MANUFACTURE OR SALE OF APPARATUS WITHOUT WRITTEN PERMISSION.

DRAWN:
C. SMITH

DATE:
03/29/2007

NorComp

SCALE: NTS	SHEET 1	OF 1	REV 3
DWG NO. 952-YYY-030R121			