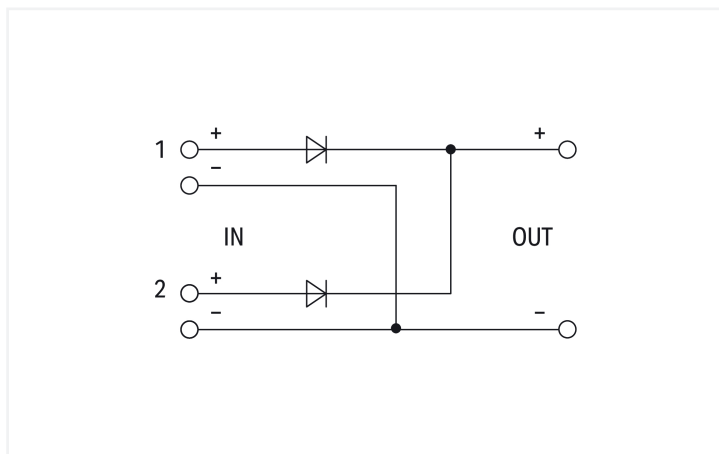


## Data Sheet | Item Number: 787-785

Redundancy Module; 2 x 9 ... 54 VDC input voltage; 2 x 40 A input current; 9–54 VDC output voltage; 76 A output current

<https://www.wago.com/787-785>



### Features:

- Redundancy module with two inputs decouples two power supplies.
- For redundant and fail-safe power supply
- With LED for input voltage monitoring on site and remotely

### Technical data

Input		Output	
Nominal input voltage $U_{i, \text{nom}}$	2 x 24 VDC	Nominal output voltage $U_{o, \text{nom}}$	24 VDC
Input voltage range	2 x 9 ... 54 VDC	Output voltage range	9 ... 54 VDC ( $U_e$ - voltage drop)
Nominal mains frequency range	0 Hz	Voltage drop	$\leq 500$ mV (Input/output)
Input current $I_i$	$\leq 40$ A (per path); $\leq 76$ A (in total)	Nominal output current $I_{o, \text{nom}}$	40 A (redundancy operation); 76 A (parallel operation); 65 A (parallel operation [UL])
		Nominal output power	1824 W
		Output power (max.)	$\leq 4104$ W

### Signaling and Communication

Signaling	1 x IN1 LED (green) 1 x IN2 LED (green) 1 x LED OUT (green)
Operation status indicator	2 x green LED ( $U_{Re} > 7.5$ VDC) 1 x Green LED ( $U_o > 7.5$ VDC)

### Efficiency/Power Losses

Power loss $P_l$	$\leq 38$ W (nominal load)
Efficiency (typ.)	97 %

### Safety and protection

Isolation voltage (connectors – housing)	0.5 kVDC
Protection class	III
Protection type	IP20; per EN 60529
Resistance to reverse feed	≤ 60 VDC
Pollution degree	2
Overvoltage protection; secondary	No
Short-circuit-protected	No
Open-circuit-proof	Yes
Parallel operation	Yes
Series operation	No
MTBF	> 10 million h (per IEC 61709)

### Connection Data

#### Connection 1

Connection type	Input/output
Connection technology	Push-in CAGE CLAMP®
WAGO connector	WAGO 2716 Series
Solid conductor	1.5 ... 16 mm <sup>2</sup> / 16 ... 6 AWG
Fine-stranded conductor	1.5 ... 16 mm <sup>2</sup> / 16 ... 6 AWG
Strip length	12 ... 13 mm / 0.47 ... 0.51 inches

### Physical data

Width	83 mm / 3.268 inches
Height	130 mm / 5.118 inches
Depth from upper-edge of DIN-rail	153 mm / 6.024 inches

### Mechanical data

Mounting type	DIN-35 rail
---------------	-------------

### Material data

Weight	992 g
--------	-------

### Environmental requirements

Ambient temperature (operation)	-25 ... +70 °C
Ambient temperature (storage)	-40 ... +85 °C
Relative humidity	≤ 95 % (no condensation permissible)
Derating	-2.66 %/K (55 °C < T <sub>amb</sub> ≤ 70 °C)
Climatic category	3K3 (per EN 60721; except for low air pressure)
Resistance to shock and vibration	Shock: 15g (per EN 60068-2-27)

**Standards and Specifications**

Conformity marking	CE
Standards/specifications	UL 508

**Commercial data**

PU (SPU)	1 pcs
Packaging type	Box
Country of origin	CN
GTIN	4055143036306
Customs tariff number	85044095900

**Product Classification**

UNSPSC	39121004
eCl@ss 10.0	27-04-07-01
eCl@ss 9.0	27-04-07-01
ETIM 9.0	EC002540
ETIM 10.0	EC002540
ECCN	NO US CLASSIFICATION

**Environmental Product Compliance**

RoHS Compliance Status	Compliant, No Exemption
SCIP notification number (Bulgaria)	75cbc6ca-380f-491f-9b29-12c9e6632df9
SCIP notification number (Czech Republic)	4969e245-4a19-46ff-9f47-4c2740f21a13

**Approvals / Certificates**

**General approvals** **Declarations of conformity and manufacturer's declarations**



Approval	Standard	Certificate Name
UL Underwriters Laboratories Inc.	UL 508	E255817
UL Underwriters Laboratories Inc.	-	E484199

Approval	Standard	Certificate Name
EU-Declaration of Conformity WAGO GmbH & Co. KG	-	-

**Downloads**

**Environmental Product Compliance**

<b>Compliance Search</b>
Environmental Product Compliance 787-785

**Documentation**

Bid Text			
787-785	15.07.2019	xml 5.59 KB	↓
787-785	15.07.2019	docx 21.63 KB	↓

Instruction Leaflet			
Diode Redundancy Module	V 1.2.0 29.09.2021	pdf 283.98 KB	↓

**CAD/CAE-Data**

CAD data	
2D/3D Models 787-785	↓

CAE data	
EPLAN Data Portal 787-785	↓
WSCAD Universe 787-785	↓
ZUKEN Portal 787-785	↓

Subject to changes. Please also observe the further product documentation!

Current addresses can be found at: [www.wago.com](http://www.wago.com)