

6

5

4

3

2

1

D

D

C

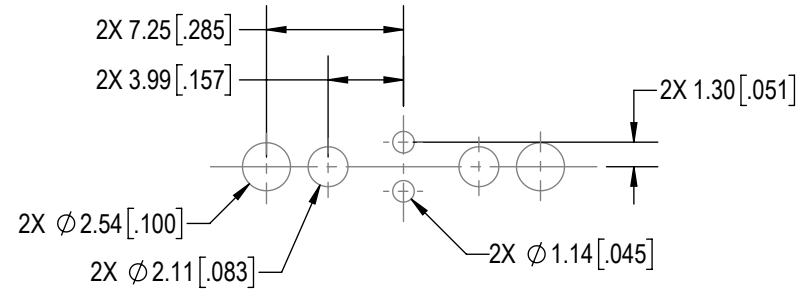
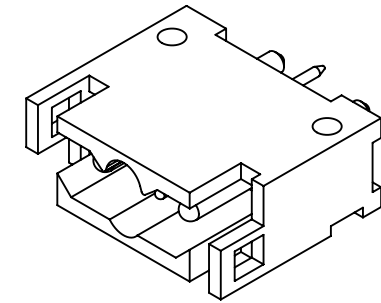
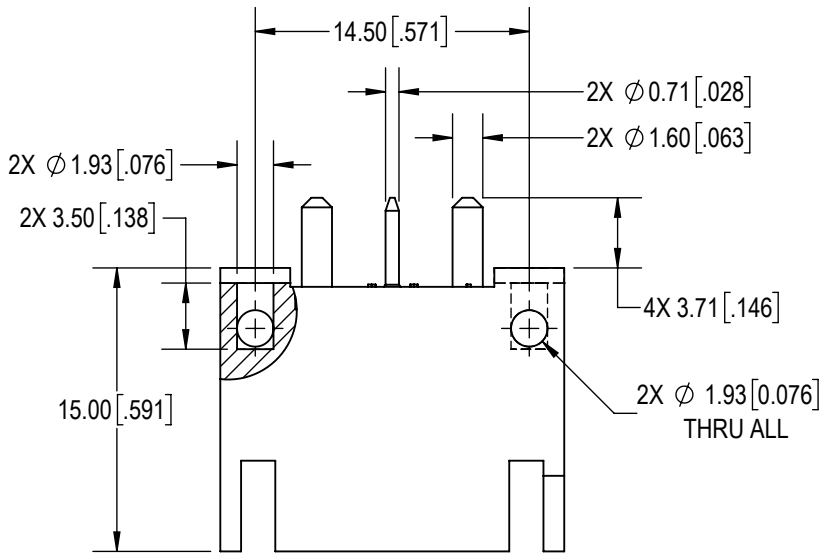
C

B

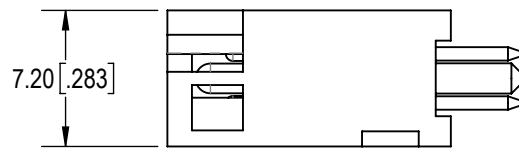
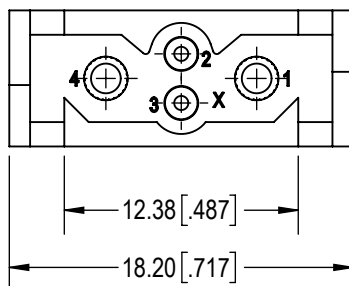
B

A

A



CONTACT HOLE PATTERN



- NOTES:**
- MATERIAL AND FINISHES:**
 INSULATOR: GLASS-FILLED NYLON, UL 94V-0. COLOR: BLACK.
 CONTACTS: PRECISION MACHINED COPPER ALLOY WITH GOLD OVER NICKEL PLATE.
 - DETAILED PRODUCT, MECHANICAL AND ELECTRICAL INFORMATION IS AVAILABLE IN THE LATEST STANDARD DRAGONFLY PRODUCT PUBLICATION AT CONNECTPOSITRONIC.COM.
 - CONNECTOR IS COMPLIANT TO THE CURRENT RoHS DIRECTIVE.

BY VJN	CHK LAW	3RD ANGLE 	POSITRONIC BELIEVES THE DATA ON THE DRAWING TO BE RELIABLE. THE USER EMPLOYS SUCH INFORMATION AT HIS OWN DISCRETION AND RISK. POSITRONIC ASSUMES NO RESPONSIBILITY FOR RESULTS OBTAINED OR DAMAGES INCURRED FROM USE OF SUCH INFORMATION IN WHOLE OR IN PART.	 Positronic CONNECTPOSITRONIC.COM
APR PA	RELEASED DATE: 2019-01-23	SCALE NTS		
TOLERANCES ±0.03mm [.001 INCHES] FOR MALE CONTACT MATING DIAMETERS ±0.08mm [.003 INCHES] FOR CONTACT TERMINATION DIAMETERS ±0.13mm [.005 INCHES] FOR ALL OTHER DIAMETERS ±0.38mm [.015 INCHES] FOR ALL OTHER DIMENSIONS ±5° FOR ALL ANGLES DIMENSION ARE IN MILLIMETERS [INCHES]		PART NUMBER DF04M30/AA	SERIES DF	
		TITLE DF04M30/AA		
CREATED ON: 2019-01-18	SHEET SHEET 1 OF 1	REV A		

6

5

4

3

2

1