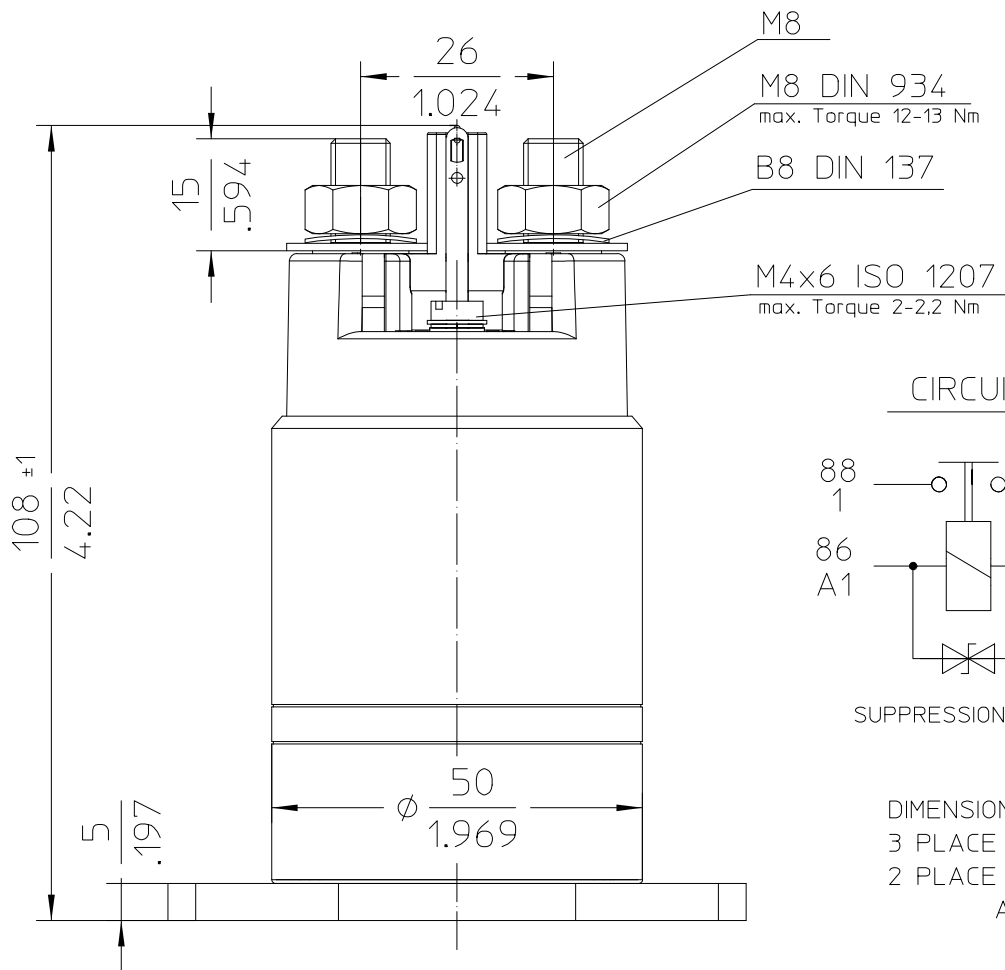
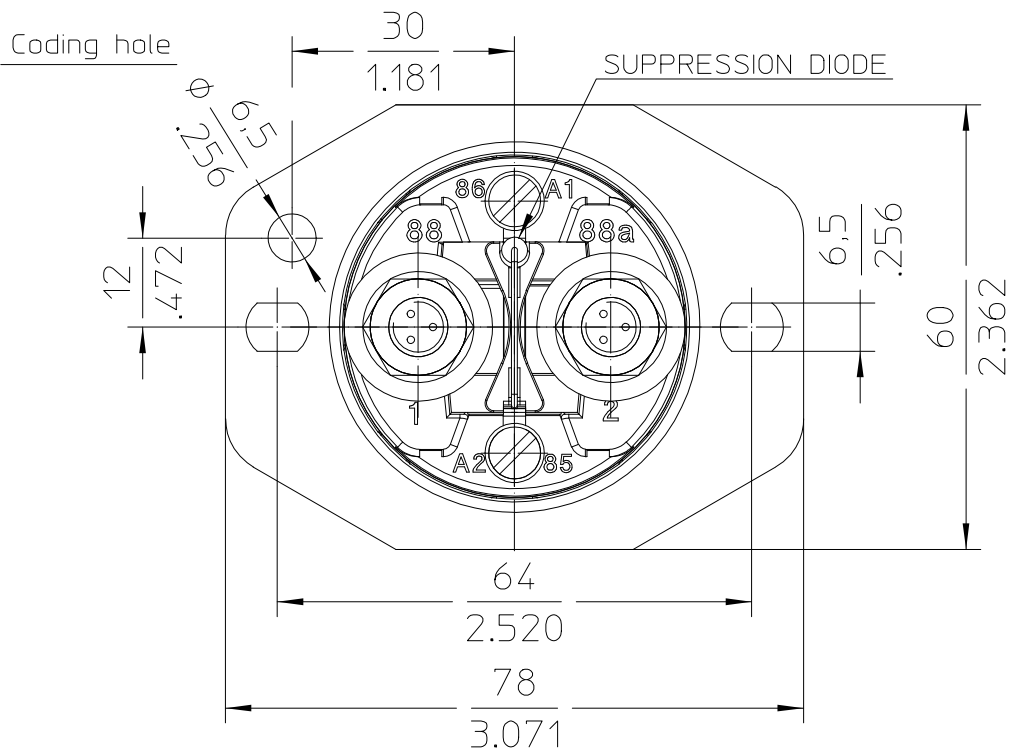
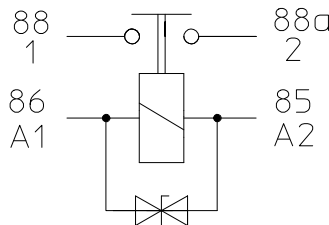


200AMP. POWER RELAY (12VDC)

BOTTOM MOUNTING ENVIRONMENTALLY SEALED



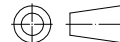
CIRCUIT



SUPPRESSION DEVICE

DIMENSIONAL TOLERANCES
 3 PLACE DECIMAL ±0.010
 2 PLACE DECIMAL ±0.03
 ANGULAR +0°30'

Third Angle Projection



For this drawing we reserve the copyright in accordance with DIN ISO 16016

	Date	Name
Create	28.01.2015	Mielk
Edited	18.09.2019	Mielk
Check	24.09.2019	Kaise

mm
Inch
Scale
1:1
General Tolerances
DIN ISO 2768 cL



Drawing No:

29-213-11

NSN:

