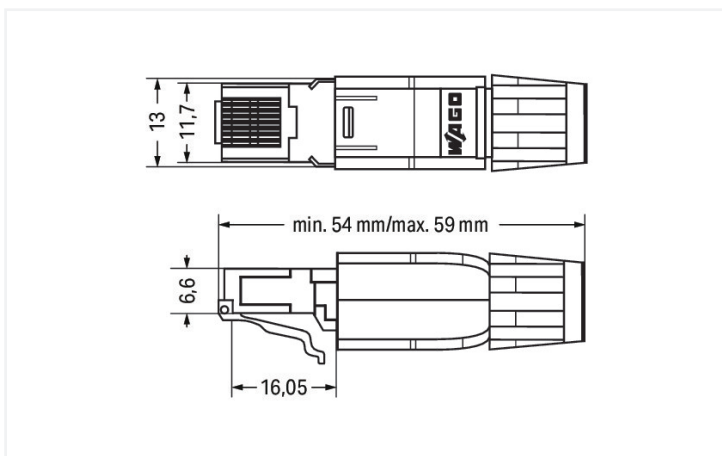
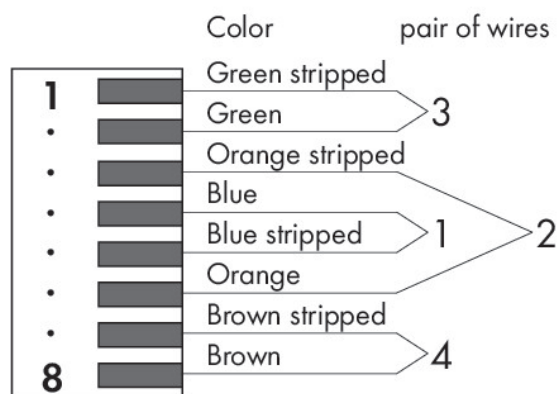


Color: ■ light gray



### Pin assignment TIA-568A



Dimensions in mm

### Versatile RJ-45 connector for industrial, office and building wiring applications.

This compact RJ-45 ETHERNET Connector uses IDC technology for easy field assembly. Conductor termination is performed without any tools. The connector is compliant with all required standards. Large conductor cross-sections can also be connected. The connector complies with Category 5e.

### Technical data

Connection type	RJ-45 plug
Pole number	8
Cable connection direction to mating direction	0°
Communication/fieldbus	ETHERNET
Code	TIA-568A
Transmission rate	1000 Mbit/s
Insulation resistance	(100 V) > 1 GΩ
Contact resistance	(Wire – IDC) < 1 mΩ; (Strand – IDC) < 5 mΩ

### Connection Data

Connection type	IDC contact
Solid conductor	0.13 ... 0.24 mm <sup>2</sup> / 26/1 ... 23/1 AWG
Stranded conductor	0.14 ... 0.36 mm <sup>2</sup> / 26/7 ... 22/7 AWG

### Physical data

Width	14 mm
Height	14 mm
Depth	59 mm

### Mechanical data

Shield	Brass (CuZn); hot-dip tinned 3 μm; Shield contact: large surface >180°
Connection requirement (permissible cable type)	Cat. 5e
Connectable sheathed cable diameter	4.5 ... 8 mm
Housing material	Plastic
Contact material	Bronze (CuSn6)
Contact Plating	> 1.2 μm gold over 1.2 μm nickel
Mating cycles (max.)	1000
Weight	10 g
Color	light gray

### Environmental requirements

Ambient temperature (operation)	-20 ... +70 °C
Ambient temperature (storage)	-40 ... +70 °C
Protection type	IP20
Relative humidity (without condensation)	95 %
Vibration resistance	4g per IEC 60068-2-6
Fire load	0 MJ
Standards/specifications	Basic standard: IEC 60603-7 RJ-45 Category 5 CD ISO/IEC 11801: 2002 EN 50173: 2002 EIA/TIA 568A: 2002

Commercial data	
Product Group	15 (I/O System)
PU (SPU)	1 pcs
Packaging type	Box
Country of origin	CH
GTIN	4045454482480
Customs tariff number	85366990990

Product Classification	
UNSPSC	39121413
eCl@ss 10.0	27-24-26-92
eCl@ss 9.0	27-24-26-92
ETIM 9.0	EC002584
ETIM 10.0	EC002584
ECCN	NO US CLASSIFICATION

Environmental Product Compliance	
RoHS Compliance Status	Compliant, No Exemption

### Approvals / Certificates

#### Approvals for marine applications



Approval	Standard	Certificate Name
ABS American Bureau of Ship- ping	-	22-2219060
BV Bureau Veritas S.A.	-	30389/C0 BV
DNV DNV GL SE	DNV-CG-0339, Aug. 2021	TAA0000194
KR Korean Register of Ship- ping	-	KR HMB05880-AC001
LR Lloyds Register EMEA	-	LR22180952TA
PRS Polski Rejestr Statków	-	TE/1101/880590/23
RINA RINA Germany GmbH	-	ELE343521XG001

## Downloads

### Environmental Product Compliance

#### Compliance Search

Environmental Product Compliance 750-975



## Documentation

### System Description

Overview on WAGO-I/O-SYSTEM 750 approvals

pdf  
770.48 KB



### Bid Text

750-975

19.02.2019

xml  
5.34 KB



750-975

06.10.2017

doc  
27.00 KB



## CAD/CAE-Data

### CAE data

EPLAN Data Portal  
750-975



WSCAD Universe  
750-975

