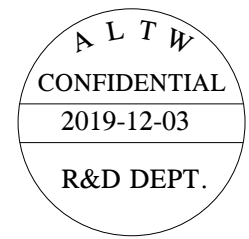
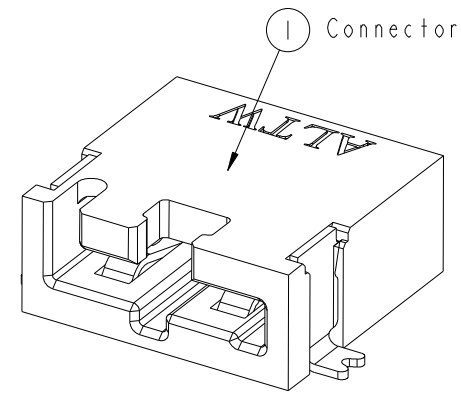
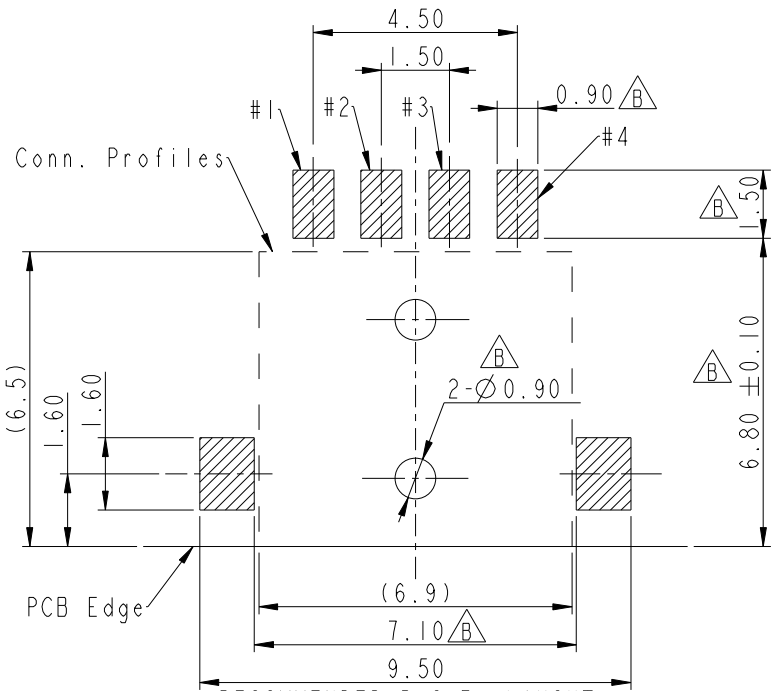
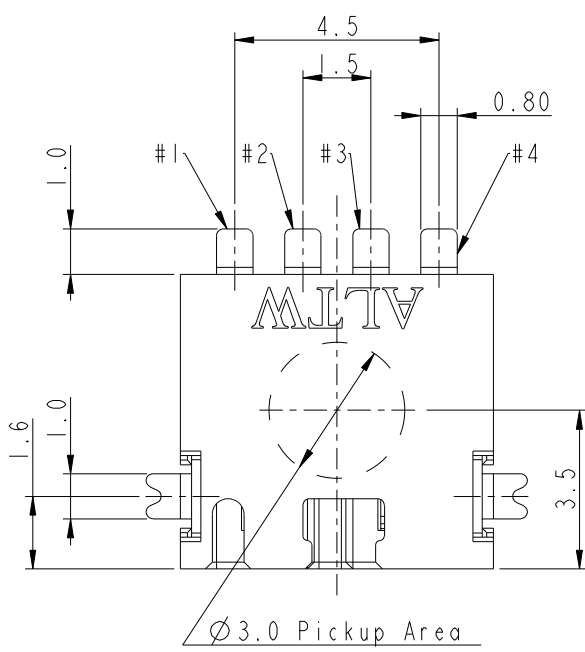
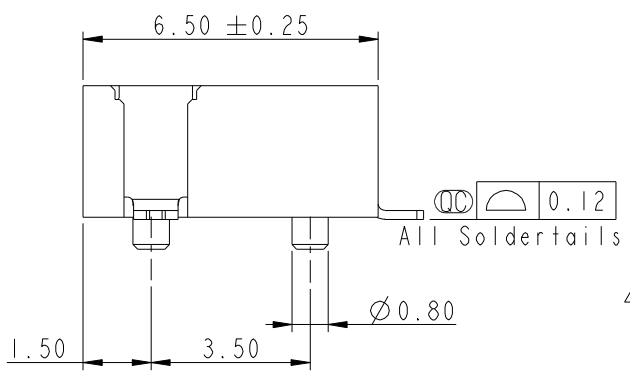
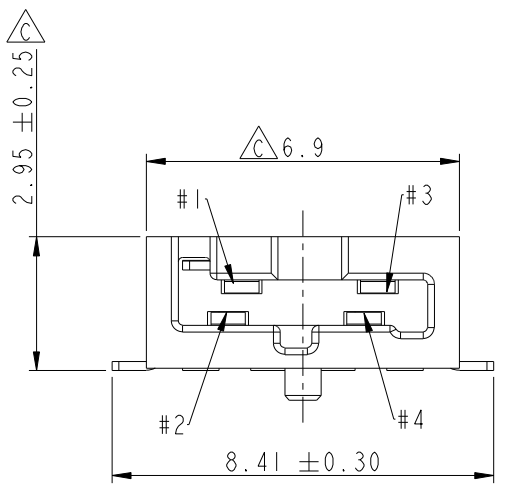


THIS DOCUMENT IS SUBJECT TO CHANGE WITHOUT NOTICE. IT IS CONFIDENTIAL AND A PROPERTY OF Amphenol LTW. DISCLOSURE TO THIRD PARTY HAS TO BE AUTHORIZED BY Amphenol LTW.

REV.	ECN NO.	DATE	SIGN	DESCRIPTION
C	LE313C0105	2013-12-16	Fisher	Change Plating and Package
D	CI91205	2019-07-29	NianPing Yu	Add UL label
E	CI92063	2019-12-03	NianPing Yu	EXI



RECOMMENDED P.C.B. LAYOUT  
GENERAL TOLERANCE IS ±0.05



- Notes:
- \*  $\text{CC}$  Important Dimension To Check.
  - \* Housing: High temperature thermoplastic. UL94V-0, color is Natural white.
  - \* Terminal: Copper Alloy, Gold Plated on contact area. Tin plated on solder tails.
  - \* Solder Peg: Copper Alloy, Tin plated over Nickel.

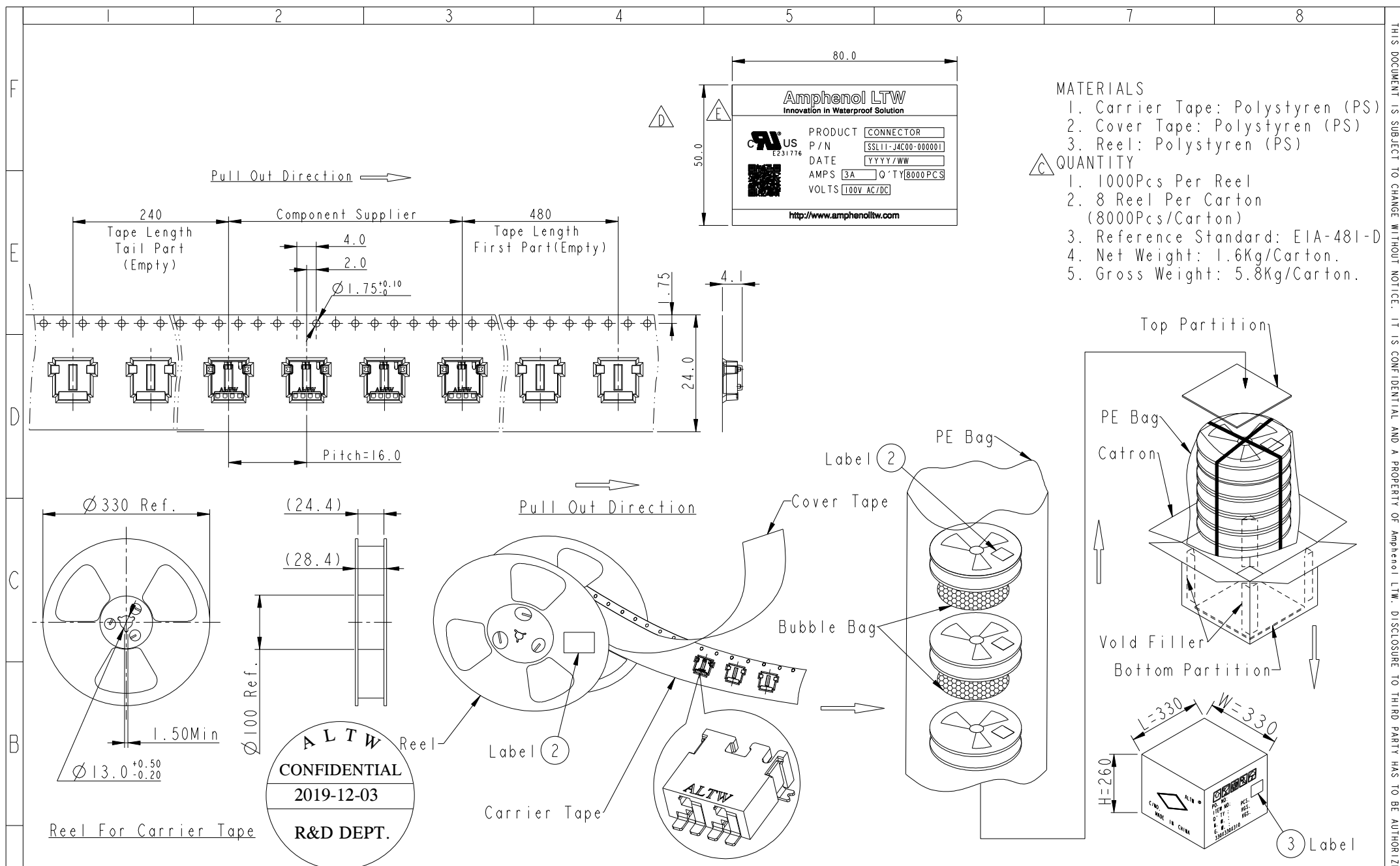
UNIT: mm		
TOLERANCE	.X ±0.25	
	.XX ±0.1	
	.XXX ±0.05	
ANGLES	±1°	

TITLE SSL-1.1 DC JACK CONNECTOR 4-POS. WITH POST, SMT TYPE			
SCALE 6:1	SIZE A4	SHEET 1 OF 2	
REV. E	WC-REV. C.3	$\text{CC}$ : Inspection item	

**Amphenol LTW**  
安費諾亮泰企業股份有限公司

ITEM NO. SSL11-J4C00-000001	DRAWN BY NianPing Yu	DATE 2019-07-29
DWG NO. SSL11-J4C00-000001	CHECKED BY Fisher Wang	DATE 2019-07-29
CUSTOMER ALTW	APPROVED BY Max Yang	DATE 2019-07-29

THIS DOCUMENT IS SUBJECT TO CHANGE WITHOUT NOTICE. IT IS CONFIDENTIAL AND A PROPERTY OF Amphenol LTW. DISCLOSURE TO THIRD PARTY HAS TO BE AUTHORIZED BY Amphenol LTW.



- MATERIALS**
- Carrier Tape: Polystyren (PS)
  - Cover Tape: Polystyren (PS)
  - Reel: Polystyren (PS)
- QUANTITY**
- 1000Pcs Per Reel
  - 8 Reel Per Carton (8000Pcs/Carton)
  - Reference Standard: EIA-481-D
  - Net Weight: 1.6Kg/Carton.
  - Gross Weight: 5.8Kg/Carton.

<b>UNIT:mm</b> TOLERANCE .X ±0.25 .XX ±0.1 .XXX ±0.05 ANGLES ±1°	 	<b>TITLE</b> SSL-1.1 DC JACK CONNECTOR 4-POS. WITH POST, SMT TYPE		<h1 style="text-align: center;">Amphenol LTW</h1> <h2 style="text-align: center;">安費諾亮泰企業股份有限公司</h2>		<b>ITEM NO</b> SSL11-J4C00-000001	<b>DRAWN BY</b> NianPing Yu	<b>DATE</b> 2019-07-29
		<b>SCALE</b> 5:1	<b>SIZE</b> A4			<b>SHEET</b> 2 OF 2	<b>DWG NO</b> SSL11-J4C00-000001	<b>CHECKED BY</b> Fisher Wang
<b>REV.</b> E	<b>WC-REV.</b> C.3		<b>CUSTOMER</b> ALTW	<b>APPROVED BY</b> Max Yang	<b>DATE</b> 2019-07-29			