

06025SA

DC Axial Fan Ball Bearing

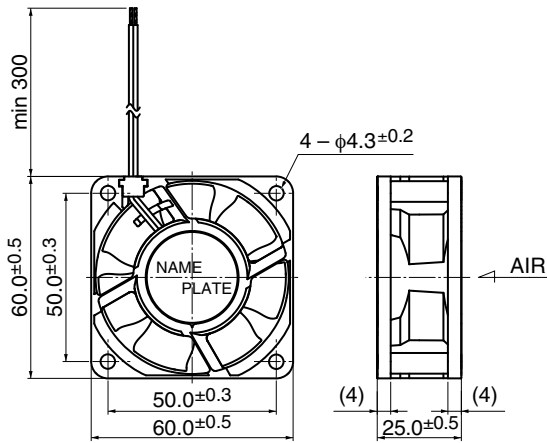
60[□]X25^L



General Specifications

Motor Protection Auto Restart / Polarity Protection
 Insulation Resistance 10MΩ or over with a DC500V Megger
 Dielectric Withstand Voltage : AC700V 1s
 Allowable Ambient : -10°C ~ +70°C (Operating)
 Temperature Range -40°C ~ +70°C (Storage)
 non-condensing environment

Outline



* Outline is A (Rib) type.

Expected Life

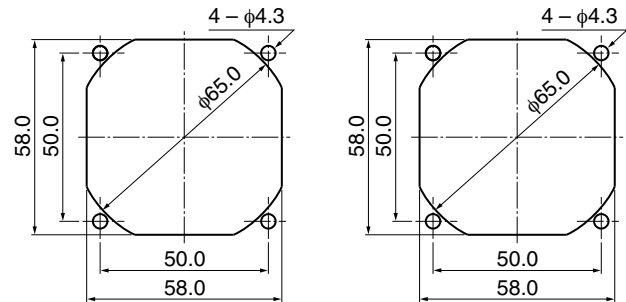
※ Failure Rate: 10% (L10 Life)

60°C 40,000 (Hours) (L~N Class)
 60°C 35,000 (Hours) (S Class)
 25°C 90,000 (Hours) (T Class)

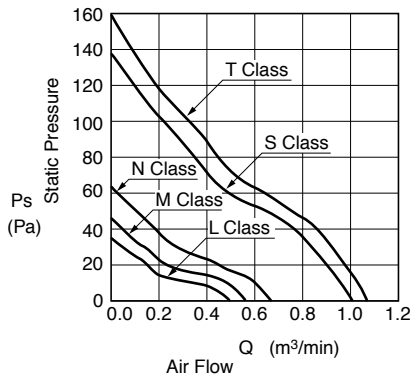
Panel Out-cuts

(Inlet Side)

(Outlet Side)



Characteristic Curves



Material

Casing : Plastic (Black) UL94V-0
 Impeller : Plastic (Black) UL94V-0
 Bearing : Ball Bearing
 Lead Wire : UL3385 AWG26 + : Red, - : Black

Specifications

Model**	Product Number	Rating Voltage (V)	Operating Voltage (V)	Current (A)*1	Input Power (W)*1	Speed (min-1)*1	Max Air Flow (m³/min)*1	(CFM)*1	Max Static Pressure (Pa)	(in H2O)*1	Noise (dB)*1	Mass (g)
06025SA-12K-AA	D0	12	6.0 ~ 13.8	0.06	0.72	3000	0.41	14.5	26	0.11	21	65
06025SA-12L-AA	D0	12	6.0 ~ 13.8	0.08	0.96	3500	0.48	16.9	35.0	0.14	23.5	
06025SA-12M-AA	D0	12	6.0 ~ 13.8	0.10	1.20	4000	0.56	19.8	46.0	0.18	27.5	
06025SA-12N-AA	D0	12	6.0 ~ 13.8	0.15	1.80	4700	0.66	23.3	63.0	0.25	33.0	
06025SA-12P-AA	D0	12	6.0 ~ 13.8	0.17	2.04	4900	0.68	24.0	68.0	0.27	33.0	
06025SA-12Q-AA	D0	12	6.0 ~ 13.2	0.20	2.40	5300	0.76	26.8	80.0	0.32	35.0	
06025SA-12S-AA	D0	12	7.0 ~ 13.2	0.34	4.08	7000	1.01	35.7	138.0	0.55	42.5	
06025SA-12T-AA	D0	12	7.0 ~ 13.2	0.43	5.16	7500	1.07	37.8	158.5	0.63	47.0	
06025SA-24L-AA	D0	24	12.0 ~ 27.6	0.04	0.96	3500	0.48	16.9	35.0	0.14	23.5	
06025SA-24M-AA	D0	24	12.0 ~ 27.6	0.06	1.44	4000	0.56	19.8	46.0	0.18	27.5	
06025SA-24N-AA	D0	24	12.0 ~ 27.6	0.08	1.92	4700	0.66	23.3	63.0	0.25	33.0	
06025SA-24P-AA	D0	24	12.0 ~ 27.6	0.07	1.68	4900	0.68	24.0	68.0	0.27	33.0	
06025SA-24Q-AA	D0	24	12.0 ~ 27.6	0.10	2.40	5300	0.76	26.8	80.0	0.32	35.0	
06025SA-24S-AA	D0	24	12.0 ~ 27.6	0.17	4.08	7000	1.01	35.7	138.0	0.55	42.5	
06025SA-24T-AA	D0	24	10.0 ~ 26.4	0.18	4.32	7500	1.07	37.8	158.5	0.63	47.0	

Rotation: Clockwise as seen from the label side
 Airflow Outlet: Label side

**Offered with rib casing (-AA-) or flange casing (-EA-)

*1: Average Values in Free Air

General Specifications

Motor Type: DC Brushless Motor

Motor Protection: Auto Restart/Polarity Protection

Motor withstands reverse connection for positive and negative leads.

Insulation Resistance:

10M Ω or over with a DC500V Megger

Dielectric Withstand Voltage:

AC 700V 1s or 500V 1min

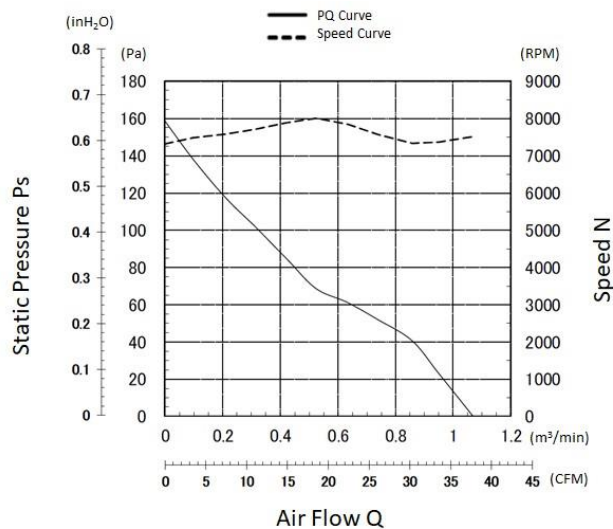
Allowable Ambient Temperature Range:

-10°C ~ +70°C (Operating)

-40°C ~ +70°C (Storage)

(non-condensing environment)

Characteristics Curves



PWM Benefits & Applications

PWM Benefits

- Increased Life Expectancy
- Energy Saving
- Lower Vibration
- Lower Noise
- Current Spike Prevention

PWM Applications

- Routers
- Switches
- Storage
- Data Centers
- Optical Repeaters
- Broadcast Equipment
- Inverters
- UPS
- Battery Chargers
- Fuel Cells
- Industrial Power Supplies
- Welders
- Plasma Cutters
- Instrumentation
- Test Equipment
- Enclosures and more

- Customized fan performances at multiple operating points.
- Peak efficiency resulting in lower total ownership costs.
- Cost effective and better reliability.

Life Expectancy L10

25°C 90,000 Hours

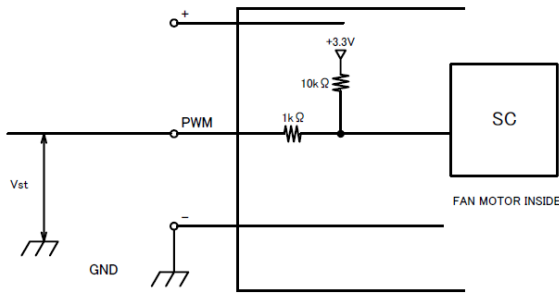
Specifications

MODEL	Rated	Operating	Current		Input Power		Speed	Max.		Max. Static		Noise	Mass
	Voltage	Voltage	Avg	Max	Avg	Max		Air Flow		Pressure			
	(V)	(V)	(A) ^{*1}	(A) ^{*1}	(W) ^{*1}	(W) ^{*1}	(min ⁻¹) ^{*1}	(CFM)	(m ³ /min)	(inH ₂ O)	(Pa)	(dB) ^{*1}	(g)
06025SA-12T-AU-D3	12	10.8 ~ 13.2	0.43	0.66	5.16	7.92	7500	37.8	1.07	0.64	158.5	47.0	65

*1: Values in Free Air

PWM Specifications

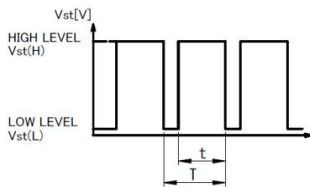
PWM CONTROL CONNECTION



1. PWM Control

- V_{st} = Low Level (0V~0.4V) → Low Speed(On Duty 0%)
- V_{st} = High Level (4.0V~5.0V) → Full Speed(On Duty 100%)
- V_{st} = Open → Full Speed

2. PWM Duty & PWM Input Pulse



PWM Duty means that a ration of high level time (t)/PWM Input Pulse(T).

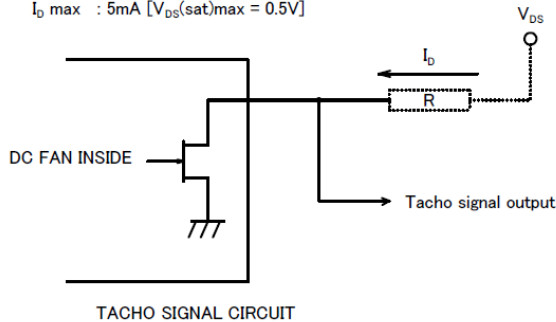
$$(t/T) \times 100 : \text{On Duty } 0\% \sim 100\%$$

PWM Frequency $f = 25[\text{kHz}]$

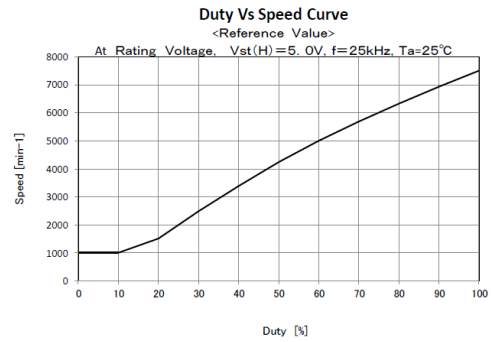
TACHO Specifications

TACHOMETER SIGNAL

- OUTPUT CIRCUIT : OPEN DRAIN
- SPECIFICATION
 - T_a=25°C
 - Absolute Maximum Ratings at T_a=25°C
 - V_{DS} max : +15V
 - I_D max : 5mA [V_{DS(sat)}max = 0.5V]



PWM Characteristics Curve



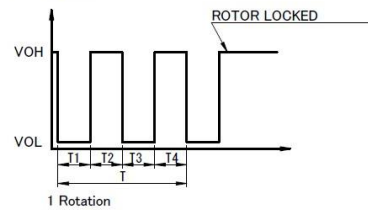
3. The condition for PWM control are as follows.

- When you use this under PWM control, always be sure the motor's operation under practical mounting state.
- Fan motor may not start up caused by PWM control at very low speed condition.
- To run at Rating Voltage.

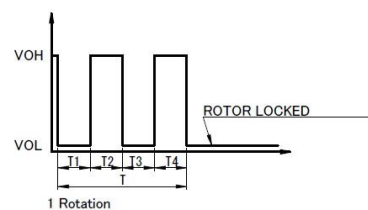
3. OUTPUT WAVEFORM : AT RATED VOLTAGE

OUTPUT SIGNAL VOLTAGE

3-1 Case-1



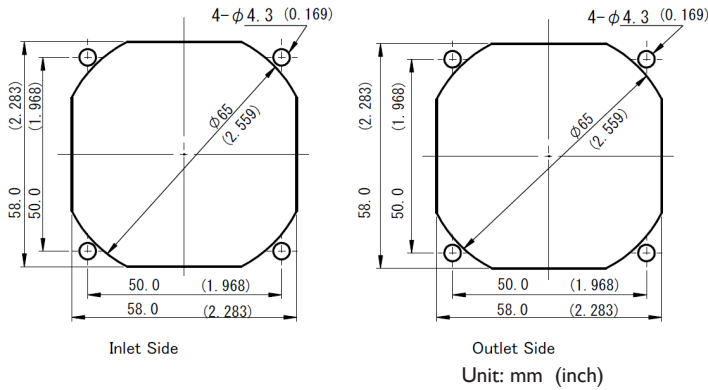
3-2 Case-2



- When the rotor is locked at VOH position of signal, signal keeps VOH position.
- When the rotor is locked at VOL position of signal, signal keeps VOL position.
- $T = T1 + T2 + T3 + T4 = 60/m$ rotation

m : min - 1
Tach Duty Cycle = 50% ± 10%

Panel Cut-Outs

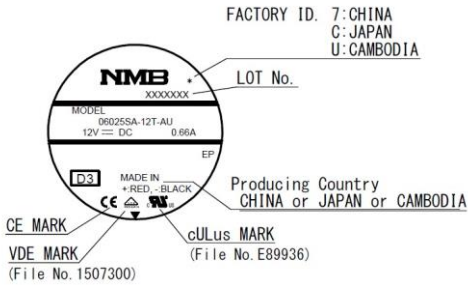


Materials

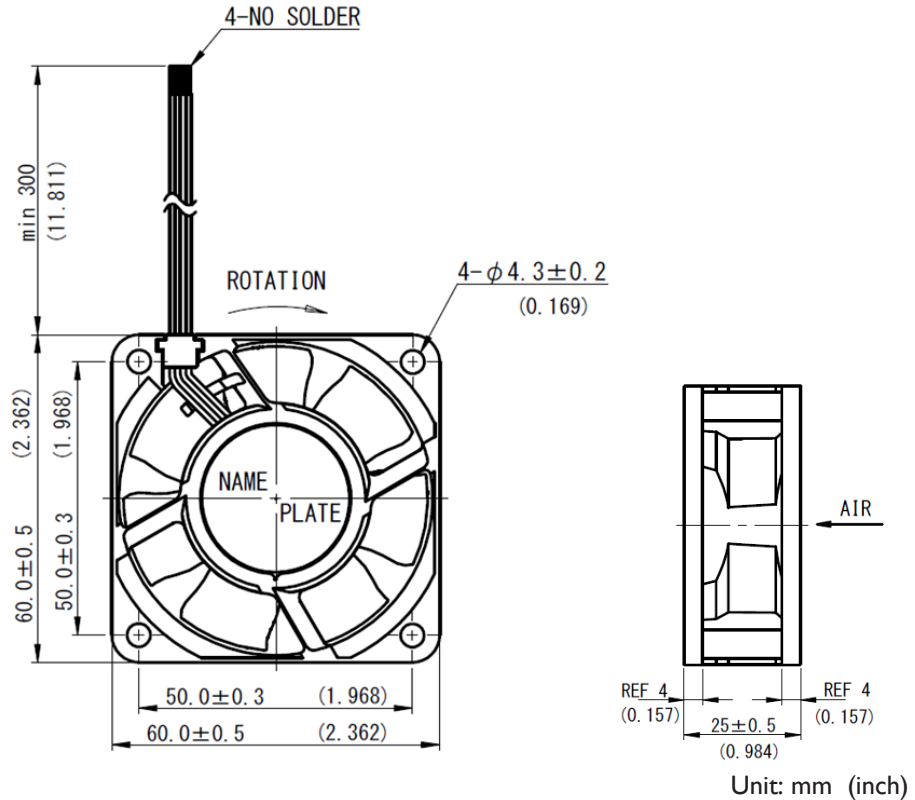
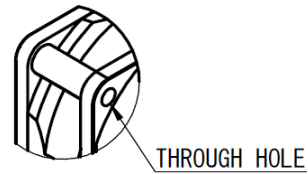
- Casing : Plastic (Black UL94V-0)
- Impeller : Plastic (Black UL94V-0)
- Bearing : Ball Bearing
- Lead Wire : UL10368 AWG26
 - (+) : Red (-) : Black
 - PWM : Brown Tach : White

Outline

Name Plate



RIB TYPE



PWM and Tach Output Brushless DC Fan

06025SA-12S-AU-D6

NMB

General Specifications

Motor Type:

DC Brushless Single Phase Motor

Motor Protection:

Auto Restart / Polarity Protection (Motor withstands reverse connection for positive and negative leads.)

Insulation Resistance:

10MΩ or over with a DC 500V Megger

Dielectric Withstand Voltage:

AC 700V 1sec or 500V 1min

Allowable Ambient Temperature Range:

-10°C ~ + 70°C (Operating)

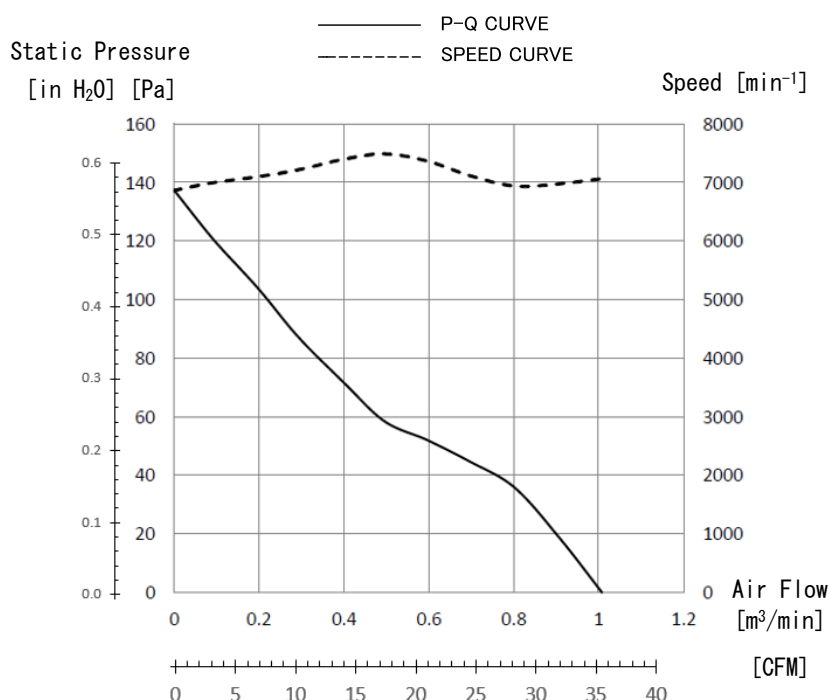
-40°C ~ + 70°C (Storage)

(non-condensing environment)



*For reference only. Please refer to fan outline for details

Characteristic Curves



Features

- High performance, four wire, PWM fan with tach signal
- Efficient motor technology, high torque, and aerodynamic impeller design
- Energy saving, low vibration, and increased life expectancy
- Available in 12 volts with tach output and PWM speed control
- Outfitted with NMB precision machined ball bearings for long life
- Single phase motor design for high speed and efficient cooling

Life Expectancy L10

40,000 Hours at 60°C

*Fan life expectation is based on free air operation at 60°C, rated voltage, and indoor benign lab environment

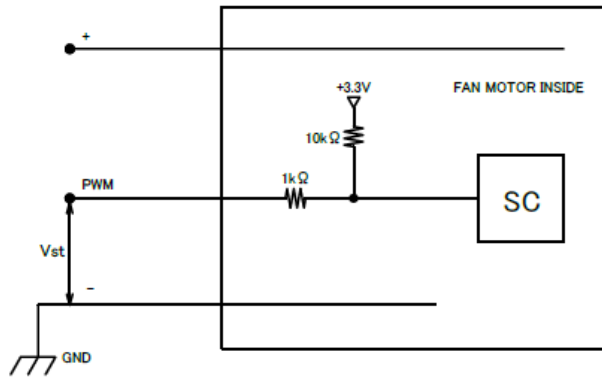
*1: Values in Free Air

Specifications

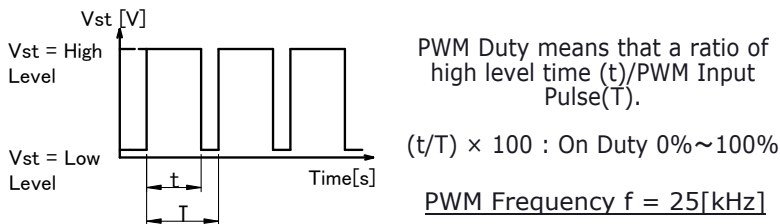
MODEL	Rating Voltage	Operating Voltage	Current		Input Power		Speed	Max. Air Flow		Max. Static Pressure		Noise	Mass
	(V)		Avg	Max	Avg	Max		(CFM)	(m³/min)	(in H₂O)	(Pa)		
	(V)		(A)*1	(A)*1	(W)*1	(W)*1		(min⁻¹)*1	(dB)*1	(g)			
06025SA-12S-AU-D6	12	7.0 to 13.2	0.34	0.60	4.08	7.20	7,000	35.7	1.01	0.55	138	42.5	65.0

PWM Specifications

Connection

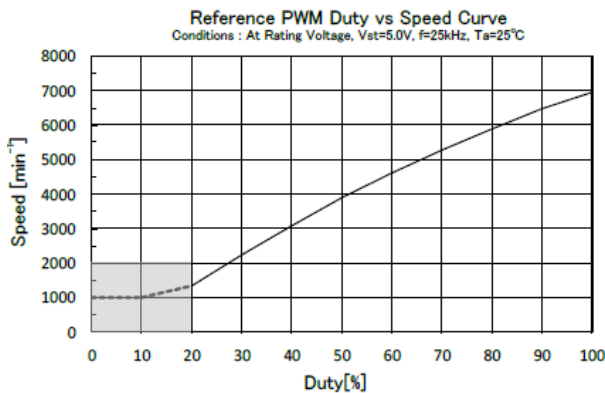


1. PWM Control
 $V_{st} = \text{Low Level (0V} \sim \text{0.4V)} \rightarrow \text{Stop (On Duty 0\%)}$
 $V_{st} = \text{High Level (4.0V} \sim \text{5.0V)} \rightarrow \text{Full Speed (On Duty 100\%)}$
 $V_{st} = \text{Open} \rightarrow \text{Full Speed}$
2. PWM Duty & PWM Input Pulse



3. The condition for PWM control are as follows
 - When you use this under PWM control, always be sure the motor's operation under practical mounting state. Fan motor may not start up caused by PWM control at very low speed condition.)
 - To run at Rating Voltage
 - Please use the start with Duty 20% or more at 25kHz.[At rated voltage input, Ambient temperature 25°C]

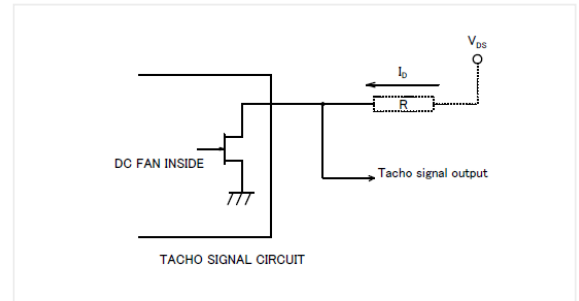
PWM Characteristic Curve



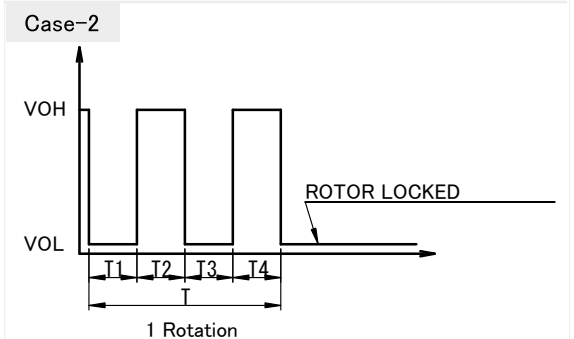
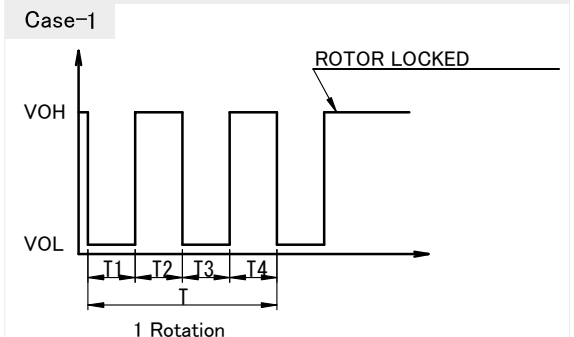
TACHO Specifications

Tachometer Signal

1. Output Circuit: Open Drain
2. Specification
Absolute Maximum Ratings at $T_a=25^\circ C$
 $V_{DSmax}: +15V$
 $I_{Dmax}: 5mA[V_{DS(sat)max}=0.5V]$



3. Output Waveform: At Rated Voltage
 Output Signal Voltage



- 1) When the rotor is locked at VOH position of signal, signal keeps VOH position.
- 2) When the rotor is locked at VOL position of signal, signal keeps VOL position.
- 3) $T=T1+T2+T3+T4=60/m=1 \text{ rotation}$

m : Fan Speed (min^{-1})

Tacho Duty Cycle=50%±10%

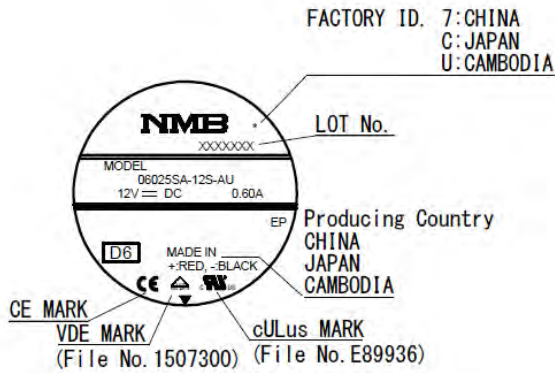
PWM and Tach Output Brushless DC Fan

06025SA-12S-AU-D6

NMB

Outlines

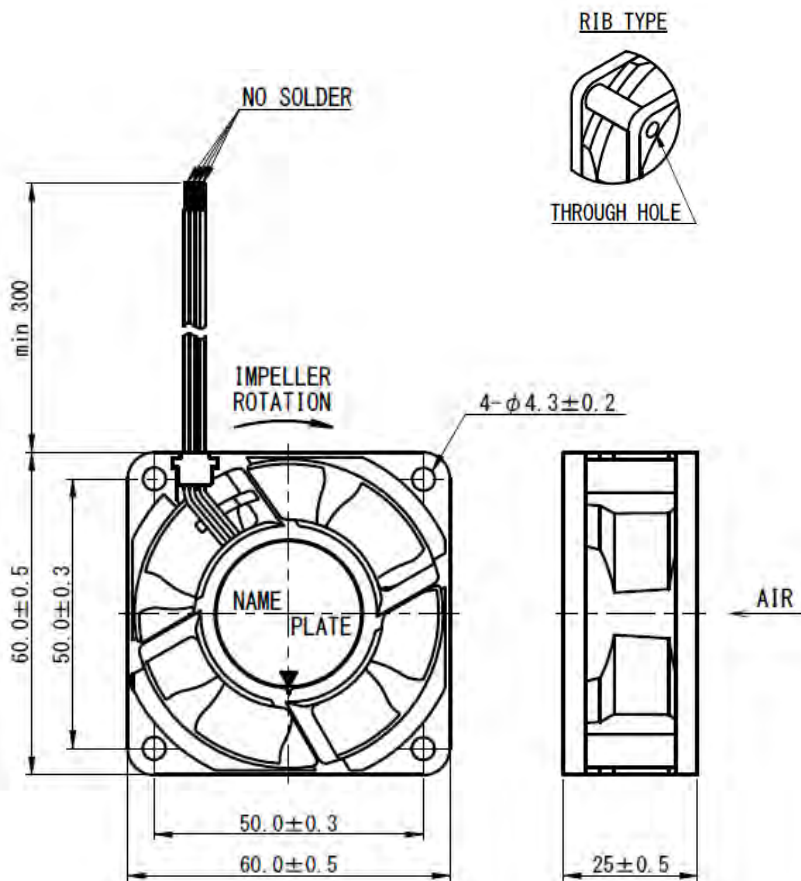
(Name Plate)



Materials

- Casing:** Plastic (Black UL94V-0)
- Impeller:** Plastic (Black UL94V-0)
- Bearing:** Steel Ball Bearing
- Lead Wire:** UL3385 AWG26
 - (+): Red
 - (-): Black
 - Tacho: White
 - PWM: Brown

(Outline)



(Panel Out-line)

