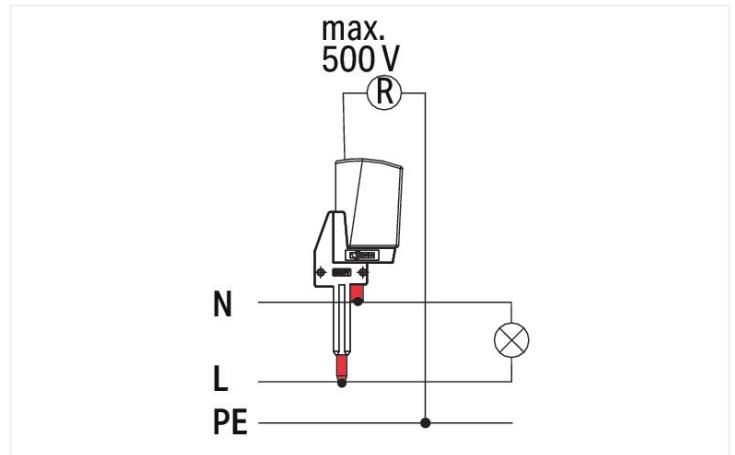


## Data Sheet | Item Number: 2003-499

Test plug adapter N/L; for 2003-6641 and 2003-6640 Multilevel Installation Terminal Blocks; for vertical test slot; 2-pole; gray

<https://www.wago.com/2003-499>



Color: ■ gray

### Electrical data

#### Ratings per IEC/EN

Nominal voltage (III/3)	500 V
Rated impulse withstand voltage (III / 3)	6 kV
Rated current	16 A

#### General information

Wiring direction	Side-entry wiring
------------------	-------------------

### Connection Data

Clamping units	1
Total number of potentials	1

#### Connection 1

Connection technology	CAGE CLAMP®
Solid conductor	0.5 ... 2.5 mm <sup>2</sup> / 20 ... 16 AWG
Stranded conductor	0.5 ... 1.5 mm <sup>2</sup> / 20 ... 16 AWG
Fine-stranded conductor	0.5 ... 2.5 mm <sup>2</sup> / 20 ... 16 AWG
Strip length	9 ... 11 mm / 0.35 ... 0.43 inches
Wiring direction	Side-entry wiring

### Material data

Note (material data)	<a href="#">Information on material specifications can be found here</a>
Color	gray
Material group	I
Insulation material (main housing)	Polyamide (PA66)
Flammability class per UL94	V0
Fire load	0.056 MJ
Weight	3.3 g

**Environmental requirements**

Processing temperature	-35 ... +85 °C
Continuous operating temperature	-60 ... +105 °C

**Commercial data**

Product Group	22 (TOPJOB S)
PU (SPU)	100 (25) pcs
Packaging type	Box
Country of origin	DE
GTIN	4050821322115
Customs tariff number	85366990990

**Product Classification**

UNSPSC	39121410
eCl@ss 10.0	27-14-11-48
eCl@ss 9.0	27-14-11-48
ETIM 9.0	EC002555
ETIM 10.0	EC002555
ECCN	NO US CLASSIFICATION

**Environmental Product Compliance**

RoHS Compliance Status	Compliant, No Exemption
------------------------	-------------------------

**Downloads**

**Environmental Product Compliance**

<b>Compliance Search</b>	
Environmental Product Compliance 2003-499	<a href="#">↓</a>

**Documentation**

<b>Bid Text</b>			
2003-499	19.02.2019	xml 2.59 KB	<a href="#">↓</a>
2003-499	28.04.2017	doc 23.50 KB	<a href="#">↓</a>

### CAD/CAE-Data

#### CAD data

2D/3D Models  
2003-499



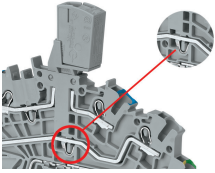
#### CAE data

WSCAD Universe  
2003-499



### Installation Notes

#### Testing



Multilevel installation terminal block fitted with an N/L-test plug adapter for quick and safe insulation resistance measurement of the connected N- and L-potentials