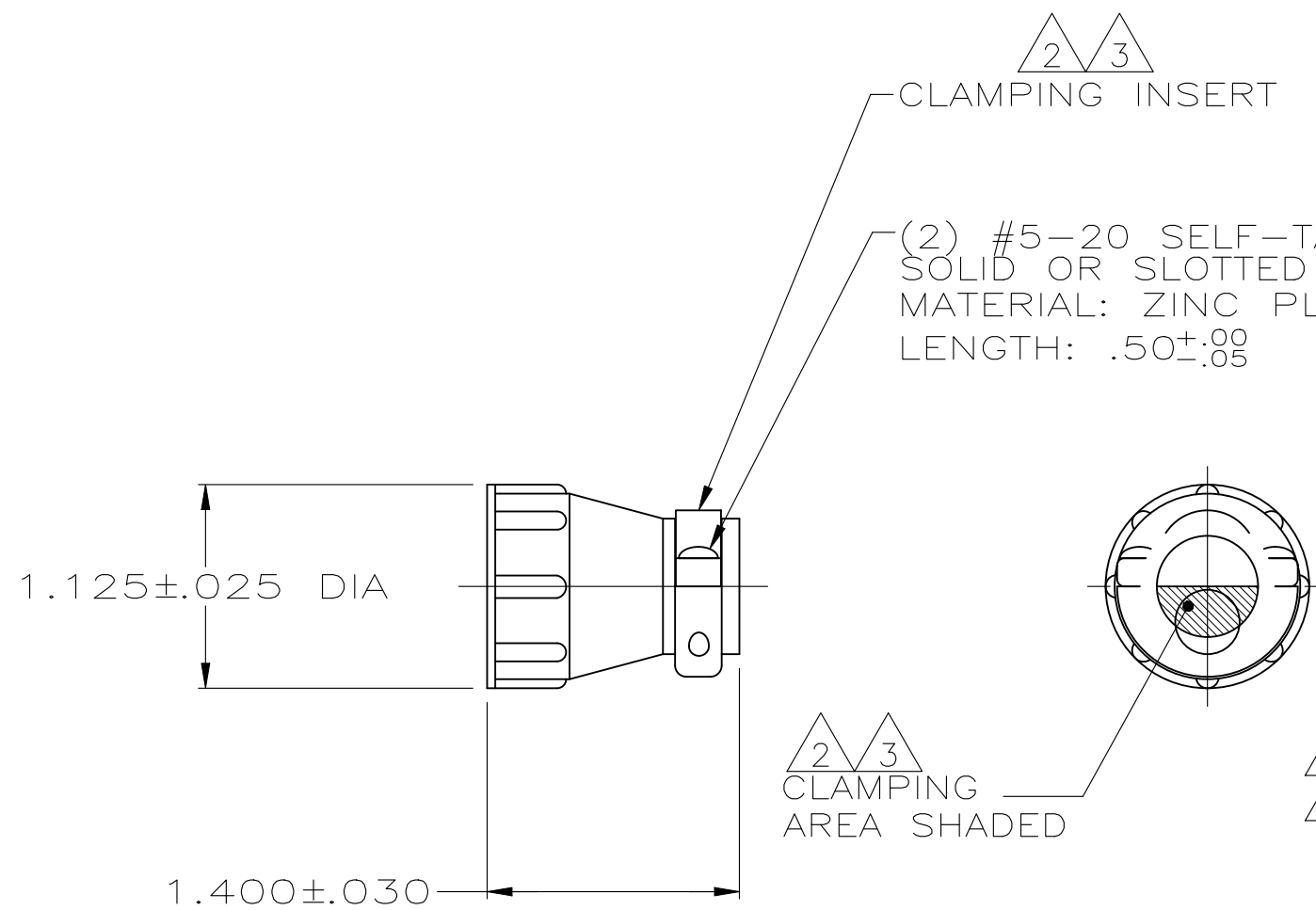


REVISIONS				
P	LTR	DESCRIPTION	DATE	APVD
	P	REVISED PER ECR-26-271876	26MAR2026	MA JFS

- 1 PART PACKAGED UNASSEMBLED.
- △2 CABLE CLAMPING AREA ADJUSTABLE FROM .010 TO .161 SQ IN BY REVERSING CLAMPING INSERTS. (2 INSERTS SUPPLIED)
- △3 CABLE CLAMPING AREA ADJUSTABLE FROM .010 TO .161 SQ IN BY CHANGING CLAMPING INSERTS. (4 INSERTS SUPPLIED, -4 ONLY)
- 4 .453 MAXIMUM CABLE OUTSIDE DIAMETER.
- △5 BULK PACKAGED KITS TO BE ORDERED IN MULTIPLES OF 200 ONLY.
- △6 NON-HEXAVALENT CHROMATE FINISH.
- △7 OBSOLETE PARTS: OBSOLETE CIS STREAMLINING PER D.RENAUD/D.SINISI



△6	INDIVIDUAL	1-206070-1
△2 △6	△5 BULK	1-206070-0
△2 △6 △7	OBSOLETE SMALL PACK	206070-9
△2 △6	INDIVIDUAL	206070-8
△6 △7	OBSOLETE INDIVIDUAL	206070-7
△6 △7	OBSOLETE SMALL PACK	206070-6
	OBSOLETE	△5 BULK
△6 △2	SUPERSEDED BY 1-206070-0	△5 BULK
△6 △2	SUPERSEDED BY 206070-8	INDIVIDUAL
	PACKAGING	PART NUMBER

THIS DRAWING IS A CONTROLLED DOCUMENT.		DWN A GRAFF 4/23/91	STE TE Connectivity	
DIMENSIONS: INCHES		CHK W.G.LENKER 7-22-92		
TOLERANCES UNLESS OTHERWISE SPECIFIED:		APVD -	NAME CABLE CLAMP KIT, STANDARD, SHELL SIZE 17, CPC	
0 PLC ± -		PRODUCT SPEC 108-10024	-	
1 PLC ± -		APPLICATION SPEC -	SIZE A3	CAGE CODE 00779
2 PLC ± -		WEIGHT -	DRAWING NO C-206070	RESTRICTED TO -
3 PLC ± -			SCALE NTS	SHEET 1 OF 1
4 PLC ± -			REV P	
ANGLES ± -				
MATERIAL THERMOPLASTIC		FINISH -	CUSTOMER DRAWING	