

N-Channel Enhancement Mode Field Effect Transistor

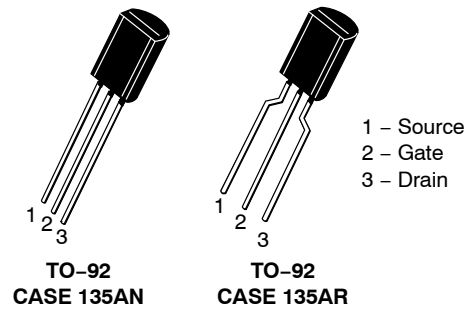
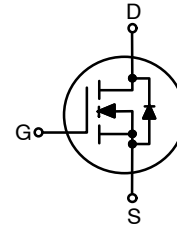
2N7000, 2N7002, NDS7002A

Description

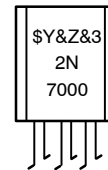
These N-channel enhancement mode field effect transistors are produced using onsemi's proprietary, high cell density, DMOS technology. These products have been designed to minimize on-state resistance while providing rugged, reliable, and fast switching performance. These products are particularly suited for low-voltage, low-current applications, such as small servo motor control, power MOSFET gate drivers, and other switching applications.

Features

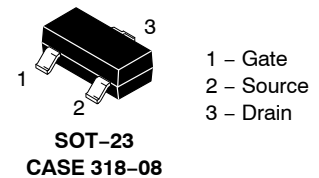
- High Density Cell Design for Low $R_{DS(on)}$
- Voltage Controlled Small Signal Switch
- Rugged and Reliable
- High Saturation Current Capability
- ESD Protection Level: HBM > 100 V, CDM > 2 kV
- This Device is Pb-Free and Halogen Free



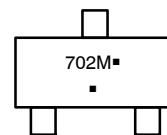
MARKING DIAGRAM



- \$Y = onsemi Logo
- &Z = Assembly Plant Code
- &3 = Date Code
- 2N7000 = Specific Device Code



MARKING DIAGRAM



- 702 = Specific Device Code
- M = Date Code
- = Pb-Free Package

(Note: Microdot may be in either location)

ORDERING INFORMATION

See detailed ordering and shipping information on page 7 of this data sheet.

2N7000, 2N7002, NDS7002A

ABSOLUTE MAXIMUM RATINGS Values are at $T_C = 25^\circ\text{C}$ unless otherwise noted.

| Symbol | Parameter | Value | | | Unit |
|----------------|---|------------|--------|------------|----------------------------|
| | | 2N7000 | 2N7002 | NDS7002A | |
| V_{DSS} | Drain-to-Source Voltage | 60 | | | V |
| V_{DGR} | Drain-Gate Voltage ($R_{GS} \leq 1 \text{ MW}$) | 60 | | | V |
| V_{GSS} | Gate-Source Voltage - Continuous | ± 20 | | | V |
| | Gate-Source Voltage - Non Repetitive ($t_p < 50 \text{ ms}$) | ± 40 | | | |
| I_D | Maximum Drain Current - Continuous | 200 | 115 | 280 | mA |
| | Maximum Drain Current - Pulsed | 500 | 800 | 1500 | |
| P_D | Maximum Power Dissipation Derated above 25°C | 400 | 200 | 300 | mW |
| | | 3.2 | 1.6 | 2.4 | $\text{mW}/^\circ\text{C}$ |
| T_J, T_{STG} | Operating and Storage Temperature Range | -55 to 150 | | -65 to 150 | $^\circ\text{C}$ |
| T_L | Maximum Lead Temperature for Soldering Purposes, 1/16-inch from Case for 10 s | 300 | | | $^\circ\text{C}$ |

Stresses exceeding those listed in the Maximum Ratings table may damage the device. If any of these limits are exceeded, device functionality should not be assumed, damage may occur and reliability may be affected.

THERMAL CHARACTERISTICS Values are at $T_C = 25^\circ\text{C}$ unless otherwise noted.

| Symbol | Parameter | Value | | | Unit |
|-----------------|---|--------|--------|----------|---------------------------|
| | | 2N7000 | 2N7002 | NDS7002A | |
| $R_{\theta JA}$ | Thermal Resistance, Junction to Ambient | 312.5 | 625 | 417 | $^\circ\text{C}/\text{W}$ |

ELECTRICAL CHARACTERISTICS

Values are at $T_C = 25^\circ\text{C}$ unless otherwise noted.

| Symbol | Parameter | Conditions | Type | Min | Typ | Max | Unit |
|--------|-----------|------------|------|-----|-----|-----|------|
|--------|-----------|------------|------|-----|-----|-----|------|

OFF CHARACTERISTICS

| | | | | | | | |
|------------|---------------------------------|--|--------------------|----|---|------|---------------|
| BV_{DSS} | Drain-Source Breakdown Voltage | $V_{GS} = 0 \text{ V}, I_D = 10 \mu\text{A}$ | All | 60 | - | - | V |
| I_{DSS} | Zero Gate Voltage Drain Current | $V_{DS} = 48 \text{ V}, V_{GS} = 0 \text{ V}$ | 2N7000 | - | - | 1 | μA |
| | | $V_{DS} = 48 \text{ V}, V_{GS} = 0 \text{ V}, T_C = 125^\circ\text{C}$ | | - | - | 1 | mA |
| | | $V_{DS} = 60 \text{ V}, V_{GS} = 0 \text{ V}$ | 2N7002 NDS7002A | - | - | 1 | μA |
| | | $V_{DS} = 60 \text{ V}, V_{GS} = 0 \text{ V}, T_C = 125^\circ\text{C}$ | | - | - | 0.5 | mA |
| I_{GSSF} | Gate - Body Leakage, Forward | $V_{GS} = 15 \text{ V}, V_{DS} = 0 \text{ V}$ | 2N7000 | - | - | 10 | nA |
| | | $V_{GS} = 20 \text{ V}, V_{DS} = 0 \text{ V}$ | 2N7002 NDS7002A | - | - | 100 | |
| I_{GSSR} | Gate - Body Leakage, Reverse | $V_{GS} = -15 \text{ V}, V_{DS} = 0 \text{ V}$ | 2N7000 | - | - | -10 | nA |
| | | $V_{GS} = -20 \text{ V}, V_{DS} = 0 \text{ V}$ | 2N7002 NDS7002A | - | - | -100 | |

ON CHARACTERISTICS

| | | | | | | | |
|--------------|------------------------|--|--------------------|-----|-----|-----|---|
| $V_{GS(th)}$ | Gate Threshold Voltage | $V_{DS} = V_{GS}, I_D = 1 \text{ mA}$ | 2N7000 | 0.8 | 2.1 | 3 | V |
| | | $V_{DS} = V_{GS}, I_D = 250 \mu\text{A}$ | 2N7002 NDS7002A | 1 | 2.1 | 2.5 | |

2N7000, 2N7002, NDS7002A

ELECTRICAL CHARACTERISTICS (continued)

Values are at $T_C = 25^\circ\text{C}$ unless otherwise noted.

| Symbol | Parameter | Conditions | Type | Min | Typ | Max | Unit |
|--|---|--|--------------------|-----|------|------|----------|
| ON CHARACTERISTICS | | | | | | | |
| $R_{DS(on)}$ | Static Drain–Source On–Resistance | $V_{GS} = 10\text{ V}, I_D = 500\text{ mA}$ | 2N7000 | – | 1.2 | 5 | Ω |
| | | $V_{GS} = 10\text{ V}, I_D = 500\text{ mA}, T_C = 125^\circ\text{C}$ | | – | 1.9 | 9 | |
| | | $V_{GS} = 4.5\text{ V}, I_D = 75\text{ mA}$ | | – | 1.8 | 5.3 | |
| | | $V_{GS} = 10\text{ V}, I_D = 500\text{ mA}$ | 2N7002 | – | 1.2 | 7.5 | |
| | | $V_{GS} = 10\text{ V}, I_D = 500\text{ mA}, T_C = 100^\circ\text{C}$ | | – | 1.7 | 13.5 | |
| | | $V_{GS} = 5\text{ V}, I_D = 50\text{ mA}$ | | – | 1.7 | 7.5 | |
| | | $V_{GS} = 5\text{ V}, I_D = 50\text{ mA}, T_C = 100^\circ\text{C}$ | | – | 2.4 | 13.5 | |
| | | $V_{GS} = 10\text{ V}, I_D = 500\text{ mA}$ | NDS7002A | – | 1.2 | 2 | |
| | | $V_{GS} = 10\text{ V}, I_D = 500\text{ mA}, T_C = 125^\circ\text{C}$ | | – | 2 | 3.5 | |
| | | $V_{GS} = 5\text{ V}, I_D = 50\text{ mA}$ | | – | 1.7 | 3 | |
| $V_{GS} = 5\text{ V}, I_D = 50\text{ mA}, T_C = 125^\circ\text{C}$ | – | 2.8 | | 5 | | | |
| $V_{DS(on)}$ | Drain–Source On–Voltage | $V_{GS} = 10\text{ V}, I_D = 500\text{ mA}$ | 2N7000 | – | 0.6 | 2.5 | V |
| | | $V_{GS} = 4.5\text{ V}, I_D = 75\text{ mA}$ | | – | 0.14 | 0.4 | |
| | | $V_{GS} = 10\text{ V}, I_D = 500\text{ mA}$ | 2N7002 | – | 0.6 | 3.75 | |
| | | $V_{GS} = 5.0\text{ V}, I_D = 50\text{ mA}$ | | – | 0.09 | 1.5 | |
| | | $V_{GS} = 10\text{ V}, I_D = 500\text{ mA}$ | NDS7002A | – | 0.6 | 1 | |
| | | $V_{GS} = 5.0\text{ V}, I_D = 50\text{ mA}$ | | – | 0.09 | 0.15 | |
| g_{FS} | Forward Transconductance | $V_{DS} = 10\text{ V}, I_D = 200\text{ mA}$ | 2N7000 | 100 | 320 | – | mS |
| | | $V_{DS} \geq 2 V_{DS(on)}, I_D = 200\text{ mA}$ | 2N7002 | 80 | 320 | – | |
| | | $V_{DS} \geq 2 V_{DS(on)}, I_D = 200\text{ mA}$ | NDS7002A | 80 | 320 | – | |
| DYNAMIC CHARACTERISTICS | | | | | | | |
| C_{iss} | Input Capacitance | $V_{DS} = 25\text{ V}, V_{GS} = 0\text{ V}, f = 1.0\text{ MHz}$ | All | – | 20 | 50 | pF |
| C_{oss} | Output Capacitance | | All | – | 11 | 25 | |
| C_{rss} | Reverse Transfer Capacitance | | All | – | 4 | 5 | |
| t_{on} | Turn–On Time | $V_{DD} = 15\text{ V}, R_L = 25\ \Omega, I_D = 500\text{ mA}, V_{GS} = 10\text{ V}, R_{GEN} = 25\ \Omega$ | 2N7000 | – | – | 10 | ns |
| | | $V_{DD} = 30\text{ V}, R_L = 150\ \Omega, I_D = 200\text{ mA}, V_{GS} = 10\text{ V}, R_{GEN} = 25\ \Omega$ | 2N7002 NDS7002A | – | – | 20 | |
| t_{off} | Turn–Off Time | $V_{DD} = 15\text{ V}, R_L = 25\ \Omega, I_D = 500\text{ mA}, V_{GS} = 10\text{ V}, R_{GEN} = 25\ \Omega$ | 2N7000 | – | – | 10 | ns |
| | | $V_{DD} = 30\text{ V}, R_L = 150\ \Omega, I_D = 200\text{ mA}, V_{GS} = 10\text{ V}, R_{GEN} = 25\ \Omega$ | 2N7002 NDS7002A | – | – | 20 | |
| DRAIN–SOURCE DIODE CHARACTERISTICS AND MAXIMUM RATINGS | | | | | | | |
| I_S | Maximum Continuous Drain–Source Diode Forward Current | 2N7002 | – | – | 115 | mA | |
| | | NDS7002A | – | – | 280 | | |

2N7000, 2N7002, NDS7002A

ELECTRICAL CHARACTERISTICS (continued)

Values are at $T_C = 25^\circ\text{C}$ unless otherwise noted.

| Symbol | Parameter | Conditions | Type | Min | Typ | Max | Unit |
|---|---|--|----------|-----|------|-----|------|
| DRAIN-SOURCE DIODE CHARACTERISTICS AND MAXIMUM RATINGS | | | | | | | |
| I_{SM} | Maximum Pulsed Drain-Source Diode Forward Current | | 2N7002 | - | - | 0.8 | A |
| | | | NDS7002A | - | - | 1.5 | |
| V_{SD} | Drain-Source Diode Forward Voltage | $V_{GS} = 0\text{ V}, I_S = 115\text{ mA}$ (Note 1) | 2N7002 | - | 0.88 | 1.5 | V |
| | | $V_{GS} = 0\text{ V}, I_S = 400\text{ mA}$ (Note 1) | NDS7002A | - | 0.88 | 1.2 | |

Product parametric performance is indicated in the Electrical Characteristics for the listed test conditions, unless otherwise noted. Product performance may not be indicated by the Electrical Characteristics if operated under different conditions.

1. Pulse test: Pulse Width $\leq 300\ \mu\text{s}$, Duty Cycle $\leq 2\%$

TYPICAL PERFORMANCE CHARACTERISTICS

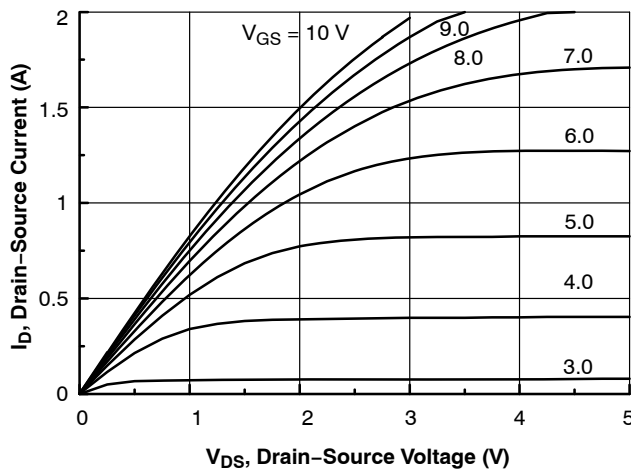


Figure 1. On-Region Characteristics

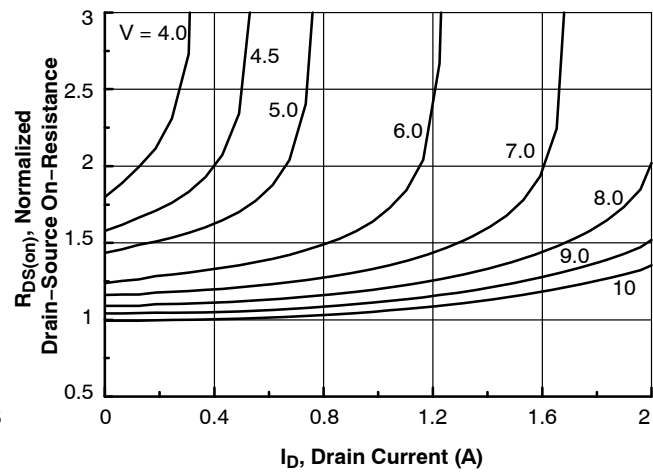


Figure 2. On-Resistance Variation with Gate Voltage and Drain Current

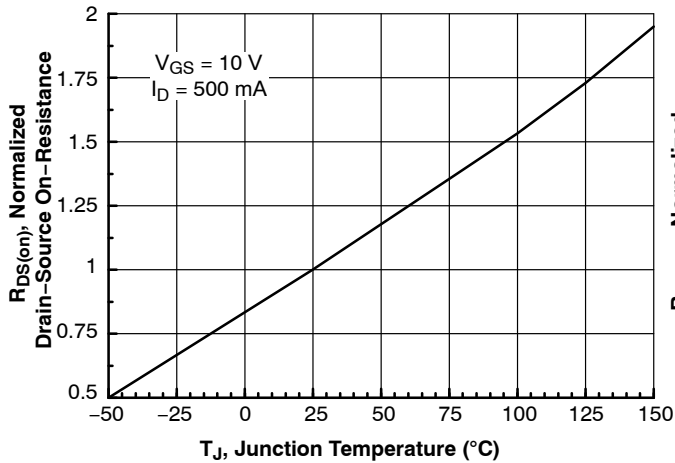


Figure 3. On-Resistance Variation with Temperature

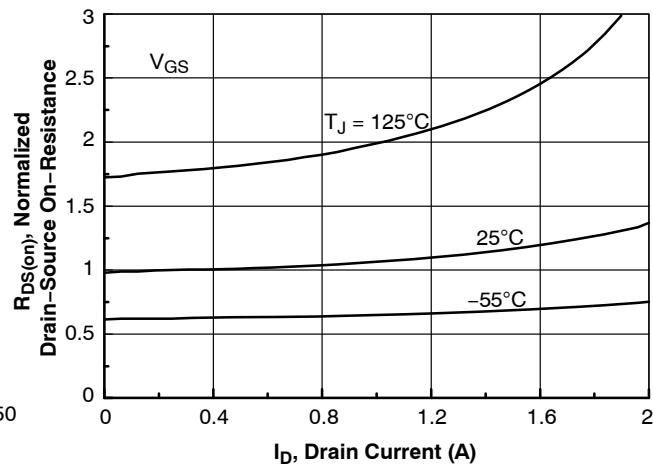


Figure 4. On-Resistance Variation with Drain Current and Temperature

TYPICAL PERFORMANCE CHARACTERISTICS (CONTINUED)

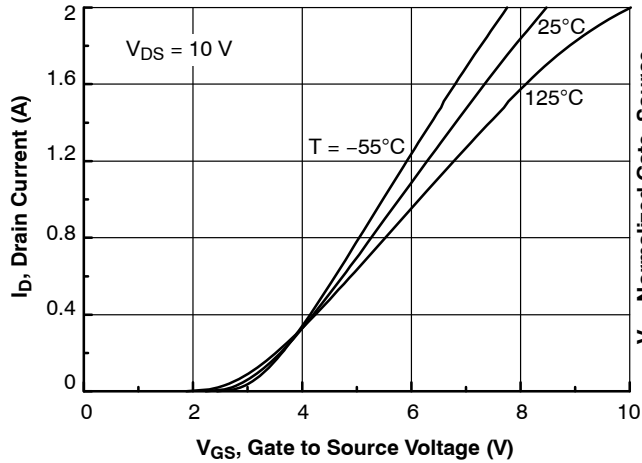


Figure 5. Transfer Characteristics

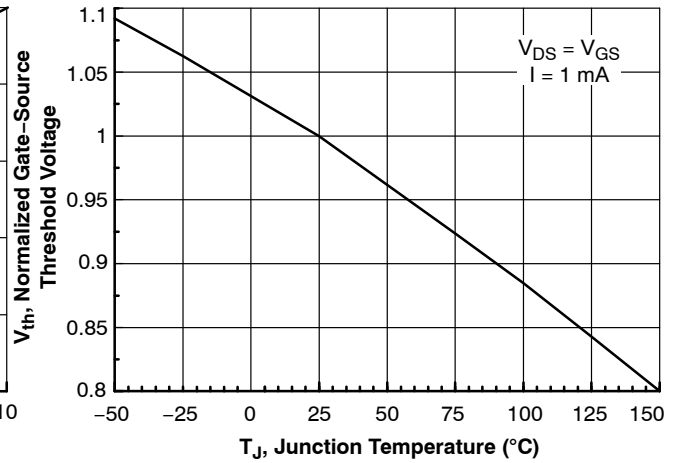


Figure 6. Gate Threshold Variation with Temperature

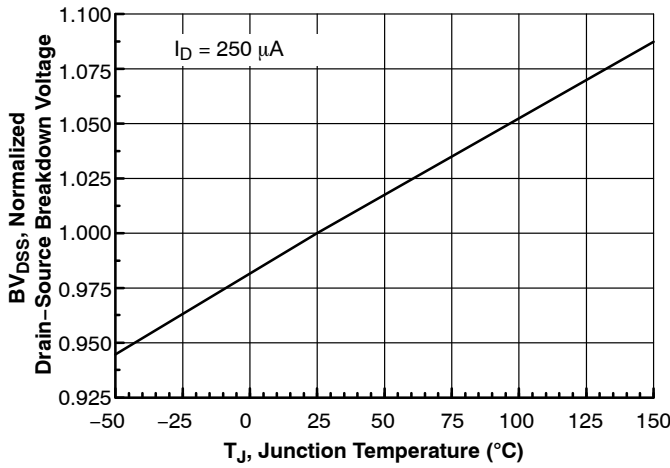


Figure 7. Breakdown Voltage Variation with Temperature

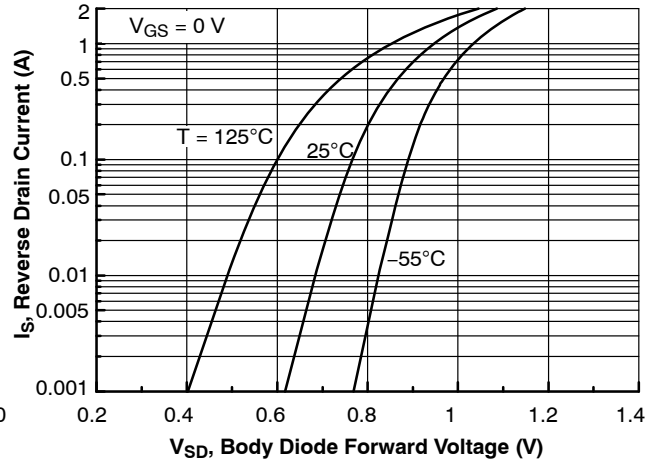


Figure 8. Body Diode Forward Voltage Variation with Temperature

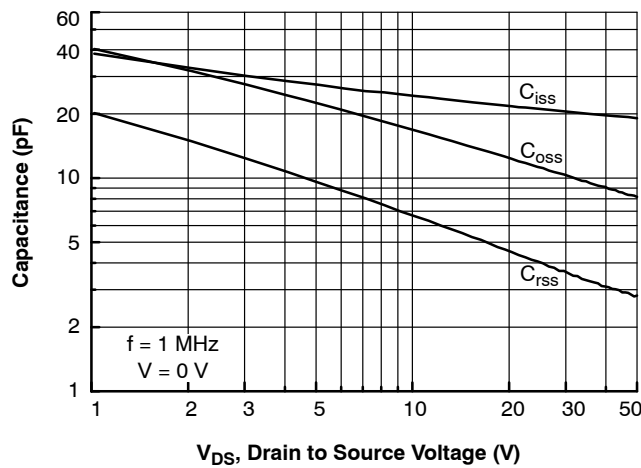


Figure 9. Capacitance Characteristics

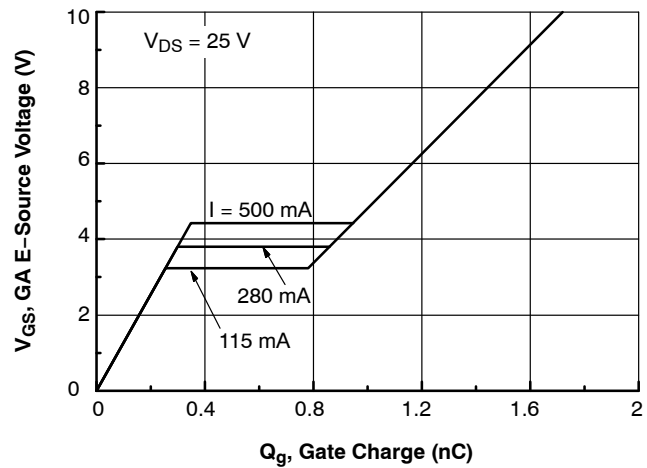


Figure 10. Gate Charge Characteristics

2N7000, 2N7002, NDS7002A

TYPICAL PERFORMANCE CHARACTERISTICS (CONTINUED)

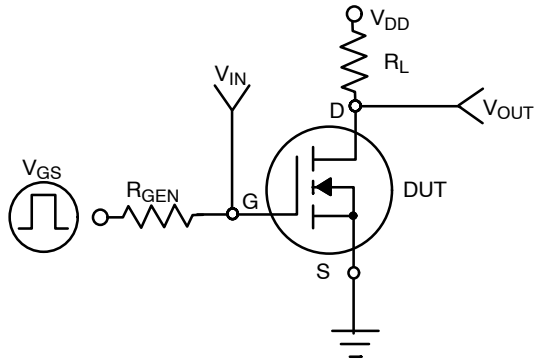


Figure 11. Switching Test Circuit

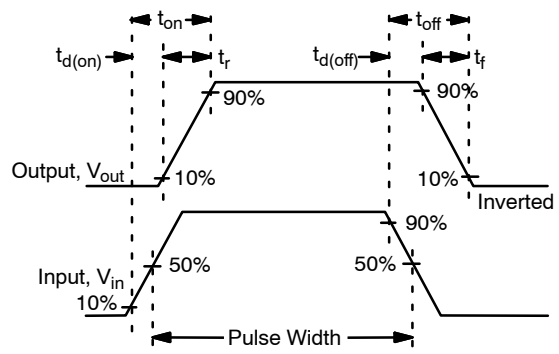


Figure 12. Switching Waveforms

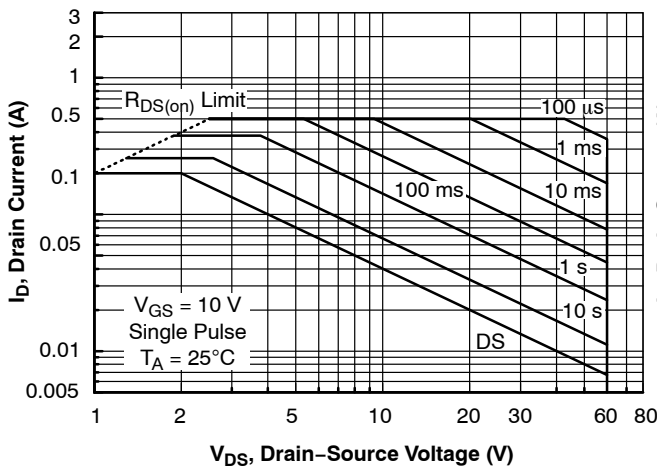


Figure 13. 2N7000 Maximum Safe Operating Area

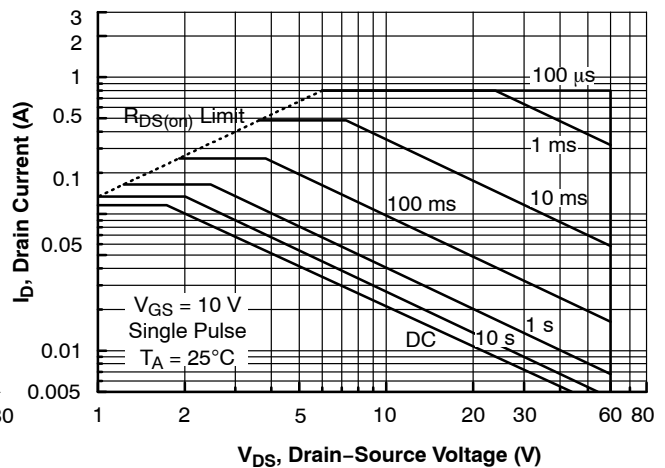


Figure 14. 2N7002 Maximum Safe Operating Area

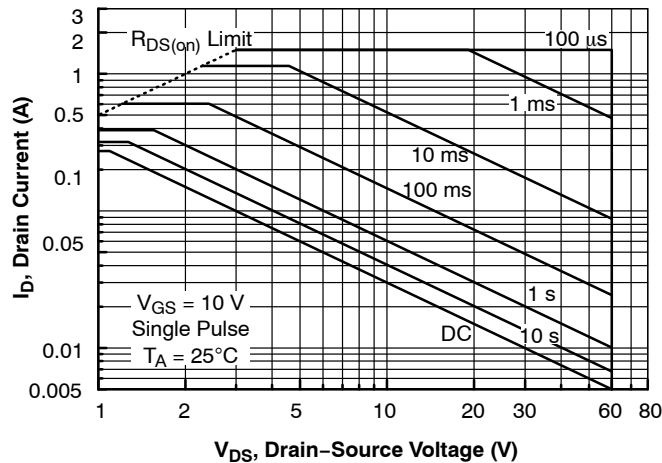


Figure 15. NDS7000A Maximum Safe Operating Area

2N7000, 2N7002, NDS7002A

TYPICAL PERFORMANCE CHARACTERISTICS (CONTINUED)

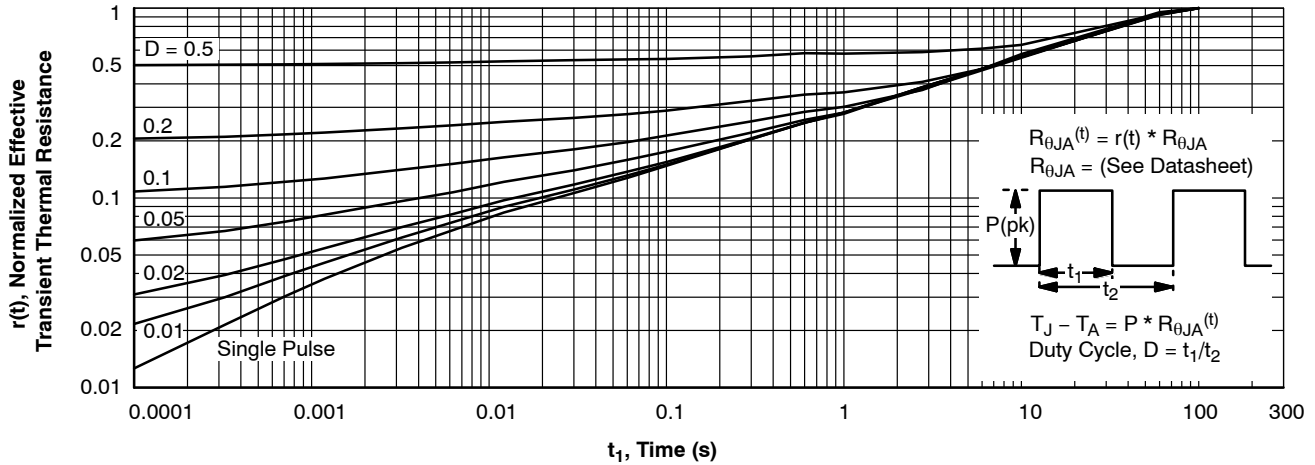


Figure 16. TO-92, 2N7000 Transient Thermal Response Curve

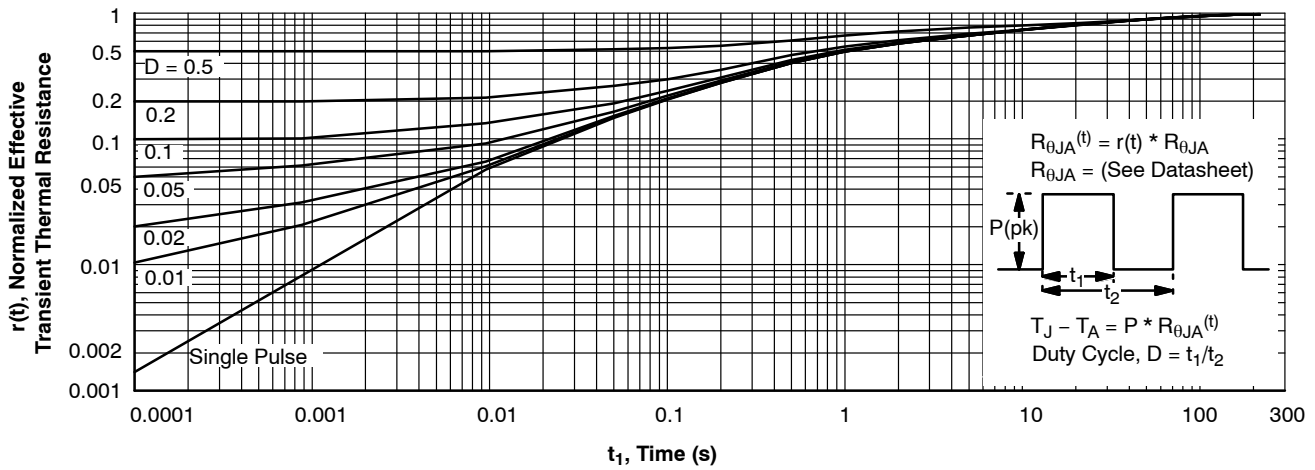


Figure 17. SOT-23, 2N7002 / NDS7002A Transient Thermal Response Curve

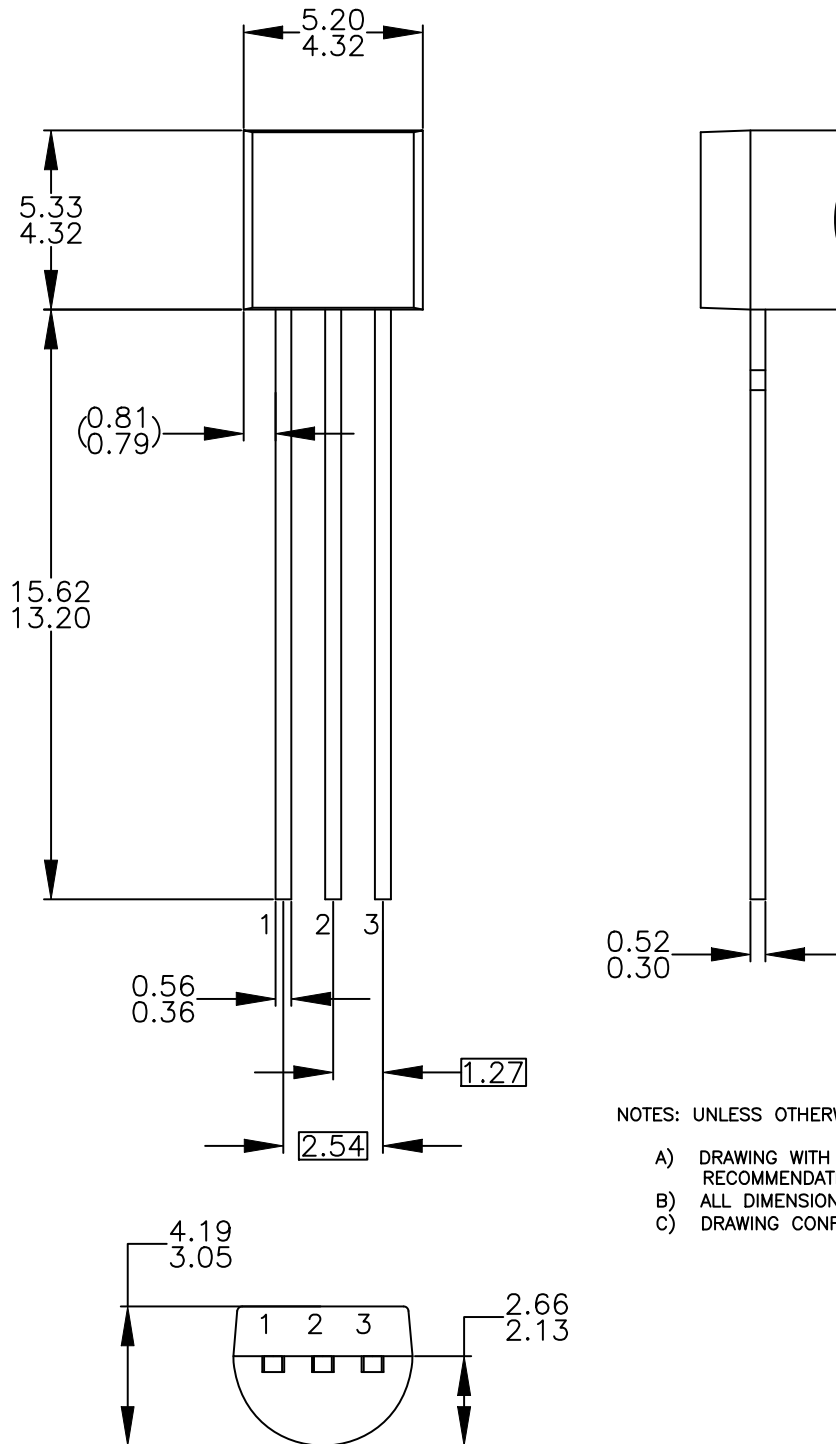
ORDERING INFORMATION

| Part Number | Marking | Package | Packing Method† | Min Order Qty / Immediate Pack Qty |
|-------------|---------|------------------------|-----------------|------------------------------------|
| 2N7000 | 2N7000 | TO-92 3L (Pb-Free) | Bulk | 10000 / 1000 |
| 2N7000-D74Z | | | Ammo | 2000 / 2000 |
| 2N7000-D75Z | | | Tape and Reel | 2000 / 2000 |
| 2N7000-D26Z | | | | 2000 / 2000 |
| 2N7002 | 702 | SOT-23 3L (Pb-Free) | Tape and Reel | 3000 / 3000 |
| NDS7002A | 712 | | | 3000 / 3000 |

†For information on tape and reel specifications, including part orientation and tape sizes, please refer to our Tape and Reel Packaging Specifications Brochure, [BRD8011/D](#).

TO-92 3 4.825x4.76
CASE 135AN
ISSUE O

DATE 31 JUL 2016



NOTES: UNLESS OTHERWISE SPECIFIED

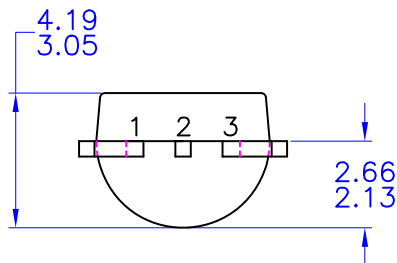
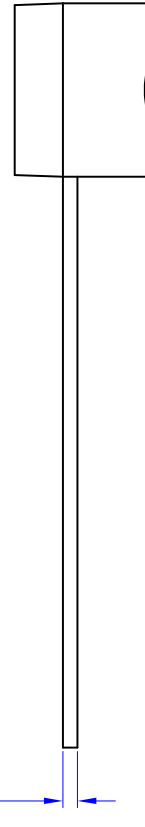
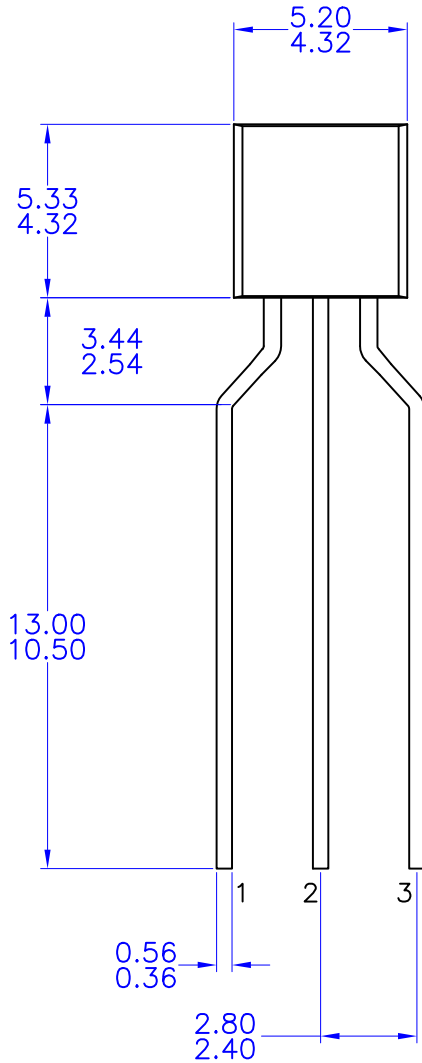
- A) DRAWING WITH REFERENCE TO JEDEC TO-92 RECOMMENDATIONS.
- B) ALL DIMENSIONS ARE IN MILLIMETERS.
- C) DRAWING CONFORMS TO ASME Y14.5M-2009.

| | | |
|-------------------------|---------------------------|---|
| DOCUMENT NUMBER: | 98AON13880G | Electronic versions are uncontrolled except when accessed directly from the Document Repository. Printed versions are uncontrolled except when stamped "CONTROLLED COPY" in red. |
| DESCRIPTION: | TO-92 3 4.825X4.76 | PAGE 1 OF 1 |

onsemi and ONSEMI are trademarks of Semiconductor Components Industries, LLC dba onsemi or its subsidiaries in the United States and/or other countries. onsemi reserves the right to make changes without further notice to any products herein. onsemi makes no warranty, representation or guarantee regarding the suitability of its products for any particular purpose, nor does onsemi assume any liability arising out of the application or use of any product or circuit, and specifically disclaims any and all liability, including without limitation special, consequential or incidental damages. onsemi does not convey any license under its patent rights nor the rights of others.

TO-92 3 4.83x4.76 LEADFORMED
CASE 135AR
ISSUE O

DATE 30 SEP 2016



NOTES: UNLESS OTHERWISE SPECIFIED

- A) DRAWING WITH REFERENCE TO JEDEC TO-92 RECOMMENDATIONS.
- B) ALL DIMENSIONS ARE IN MILLIMETERS.
- C) DRAWING CONFORMS TO ASME Y14.5M-1994

| | | |
|-------------------------|-------------------------------------|--|
| DOCUMENT NUMBER: | 98AON13879G | Electronic versions are uncontrolled except when accessed directly from the Document Repository. Printed versions are uncontrolled except when stamped "CONTROLLED COPY" in red. |
| DESCRIPTION: | TO-92 3 4.83X4.76 LEADFORMED | PAGE 1 OF 1 |

onsemi and ONSEMI are trademarks of Semiconductor Components Industries, LLC dba onsemi or its subsidiaries in the United States and/or other countries. onsemi reserves the right to make changes without further notice to any products herein. onsemi makes no warranty, representation or guarantee regarding the suitability of its products for any particular purpose, nor does onsemi assume any liability arising out of the application or use of any product or circuit, and specifically disclaims any and all liability, including without limitation special, consequential or incidental damages. onsemi does not convey any license under its patent rights nor the rights of others.

onsemi, **Onsemi**, and other names, marks, and brands are registered and/or common law trademarks of Semiconductor Components Industries, LLC dba "**onsemi**" or its affiliates and/or subsidiaries in the United States and/or other countries. **onsemi** owns the rights to a number of patents, trademarks, copyrights, trade secrets, and other intellectual property. A listing of **onsemi**'s product/patent coverage may be accessed at www.onsemi.com/site/pdf/Patent-Marking.pdf. **onsemi** reserves the right to make changes at any time to any products or information herein, without notice. The information herein is provided "as-is" and **onsemi** makes no warranty, representation or guarantee regarding the accuracy of the information, product features, availability, functionality, or suitability of its products for any particular purpose, nor does **onsemi** assume any liability arising out of the application or use of any product or circuit, and specifically disclaims any and all liability, including without limitation special, consequential or incidental damages. Buyer is responsible for its products and applications using **onsemi** products, including compliance with all laws, regulations and safety requirements or standards, regardless of any support or applications information provided by **onsemi**. "Typical" parameters which may be provided in **onsemi** data sheets and/or specifications can and do vary in different applications and actual performance may vary over time. All operating parameters, including "Typicals" must be validated for each customer application by customer's technical experts. **onsemi** does not convey any license under any of its intellectual property rights nor the rights of others. **onsemi** products are not designed, intended, or authorized for use as a critical component in life support systems or any FDA Class 3 medical devices or medical devices with a same or similar classification in a foreign jurisdiction or any devices intended for implantation in the human body. Should Buyer purchase or use **onsemi** products for any such unintended or unauthorized application, Buyer shall indemnify and hold **onsemi** and its officers, employees, subsidiaries, affiliates, and distributors harmless against all claims, costs, damages, and expenses, and reasonable attorney fees arising out of, directly or indirectly, any claim of personal injury or death associated with such unintended or unauthorized use, even if such claim alleges that **onsemi** was negligent regarding the design or manufacture of the part. **onsemi** is an Equal Opportunity/Affirmative Action Employer. This literature is subject to all applicable copyright laws and is not for resale in any manner.

ADDITIONAL INFORMATION

TECHNICAL PUBLICATIONS:

Technical Library: www.onsemi.com/design/resources/technical-documentation
onsemi Website: www.onsemi.com

ONLINE SUPPORT: www.onsemi.com/support

For additional information, please contact your local Sales Representative at www.onsemi.com/support/sales

