

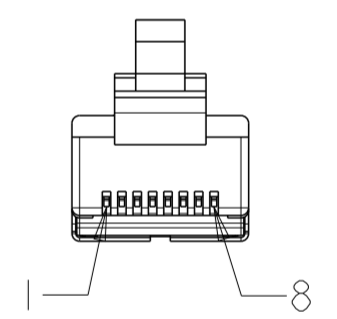
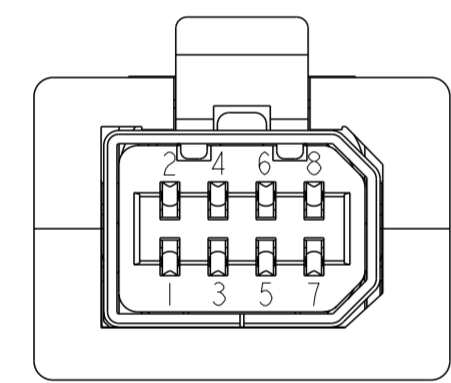
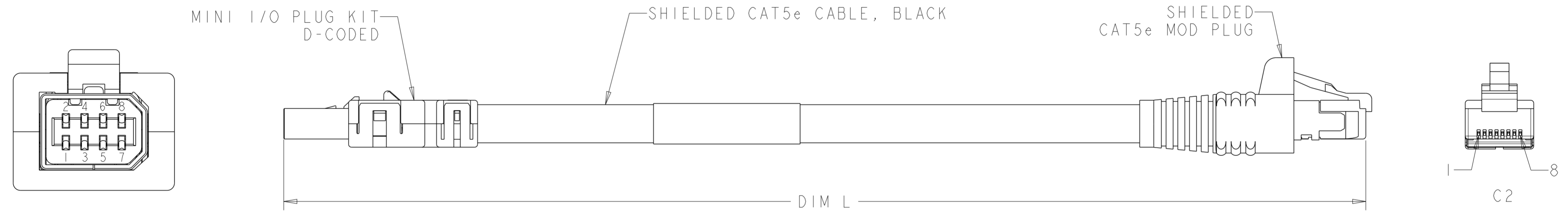
THIS DRAWING IS UNPUBLISHED. RELEASED FOR PUBLICATION 20
 © COPYRIGHT 20 BY - ALL RIGHTS RESERVED.

LOC		DIST		REVISIONS			
P	LTR	DESCRIPTION	DATE	DWN	APVD		
-	-	A	DRAWING RELEASE	08JUL2013	TB	GA	


WIRING SCHEMATIC 

C1	1	2	3	4	5	6	7	8
	WHITE/ORANGE	ORANGE	WHITE/GREEN	BLUE	WHITE/BLUE	GREEN	WHITE/BROWN	BROWN
C2	1	2	3	4	5	6	7	8

 WIRED ACCORDING TO T658B STANDARD.



10000	1986524-6
7000	1986524-5
5000	1986524-4
3000	1986524-3
2000	1986524-2
500	1986524-1
DIM L	PART NUMBER

THIS DRAWING IS A CONTROLLED DOCUMENT.		DWN	03MAR2009	 TE Connectivity																							
DIMENSIONS:		CHK	03MAR2009																								
TOLERANCES UNLESS OTHERWISE SPECIFIED:		APVD	03MAR2009																								
mm		PRODUCT SPEC																									
<table border="1"> <tr> <td>0 PLC</td> <td>±</td> </tr> <tr> <td>1 PLC</td> <td>±0.5</td> </tr> <tr> <td>2 PLC</td> <td>±0.13</td> </tr> <tr> <td>3 PLC</td> <td>±0.013</td> </tr> <tr> <td>4 PLC</td> <td>±</td> </tr> <tr> <td>ANGLES</td> <td>±</td> </tr> <tr> <td>FINISH</td> <td></td> </tr> </table>		0 PLC	±	1 PLC	±0.5	2 PLC	±0.13	3 PLC	±0.013	4 PLC	±	ANGLES	±	FINISH		<table border="1"> <tr> <td>NAME</td> <td>MINI I/O TO CAT 5e INDUSTRIAL ETHERNET CORDSET, STRANDED</td> </tr> <tr> <td>APPLICATION SPEC</td> <td></td> </tr> <tr> <td>WEIGHT</td> <td></td> </tr> </table>		NAME	MINI I/O TO CAT 5e INDUSTRIAL ETHERNET CORDSET, STRANDED	APPLICATION SPEC		WEIGHT		SIZE	CAGE CODE	DRAWING NO	RESTRICTED TO
0 PLC	±																										
1 PLC	±0.5																										
2 PLC	±0.13																										
3 PLC	±0.013																										
4 PLC	±																										
ANGLES	±																										
FINISH																											
NAME	MINI I/O TO CAT 5e INDUSTRIAL ETHERNET CORDSET, STRANDED																										
APPLICATION SPEC																											
WEIGHT																											
MATERIAL		Customer Drawing		A2	00779	C-1986524																					
				SCALE	2:1	SHEET	1 OF 1																				
						REV	A																				