

THE INFORMATION CONTAINED HEREIN IS CONSIDERED "PROPRIETARY" TO BEL FUSE INC. AND SHALL NOT BE COPIED, REPRODUCED OR DISCLOSED WITHOUT THE WRITTEN APPROVAL OF BEL FUSE INC.

LED1 POLARITY			LED2 POLARITY		
PIN 13	PIN 14	COLOR	PIN 15	PIN 16	COLOR
-	+	GREEN	-	+	YELLOW
			+	-	GREEN

PRELIMINARY



ELECTRICAL CHARACTERISTICS @ 25°C

URNS RATIO

TP1	1CT : 1CT ±2%
TP2	1CT : 1CT ±2%
TP3	1CT : 1CT ±2%
TP4	1CT : 1CT ±2%

DCL @ 100kHz/100mVRMS

8mA DC BIAS (0°C - 70°C) 180 μH MIN.

INS. LOSS

1MHz TO 150MHz -0.004(fMHz)-0.4 dB MAX

RET. LOSS

1MHz-40MHz -20 dB MIN
 40.1MHz-150MHz -20+15LOG(f/40MHZ) dB MIN

CROSSTALK

1MHz - 40MHz -35 dB MIN
 40.1MHz-150MHz -35+15LOG(f/40MHZ) dB MIN

CM TO CM REJ

1MHz - 150MHz -25 dB MIN

HIPOT (Isolation Voltage): 2250 VDC

100% OF PRODUCTION TESTED TO COMPLY WITH IEEE 802.3 ISOLATION REQUIREMENTS.

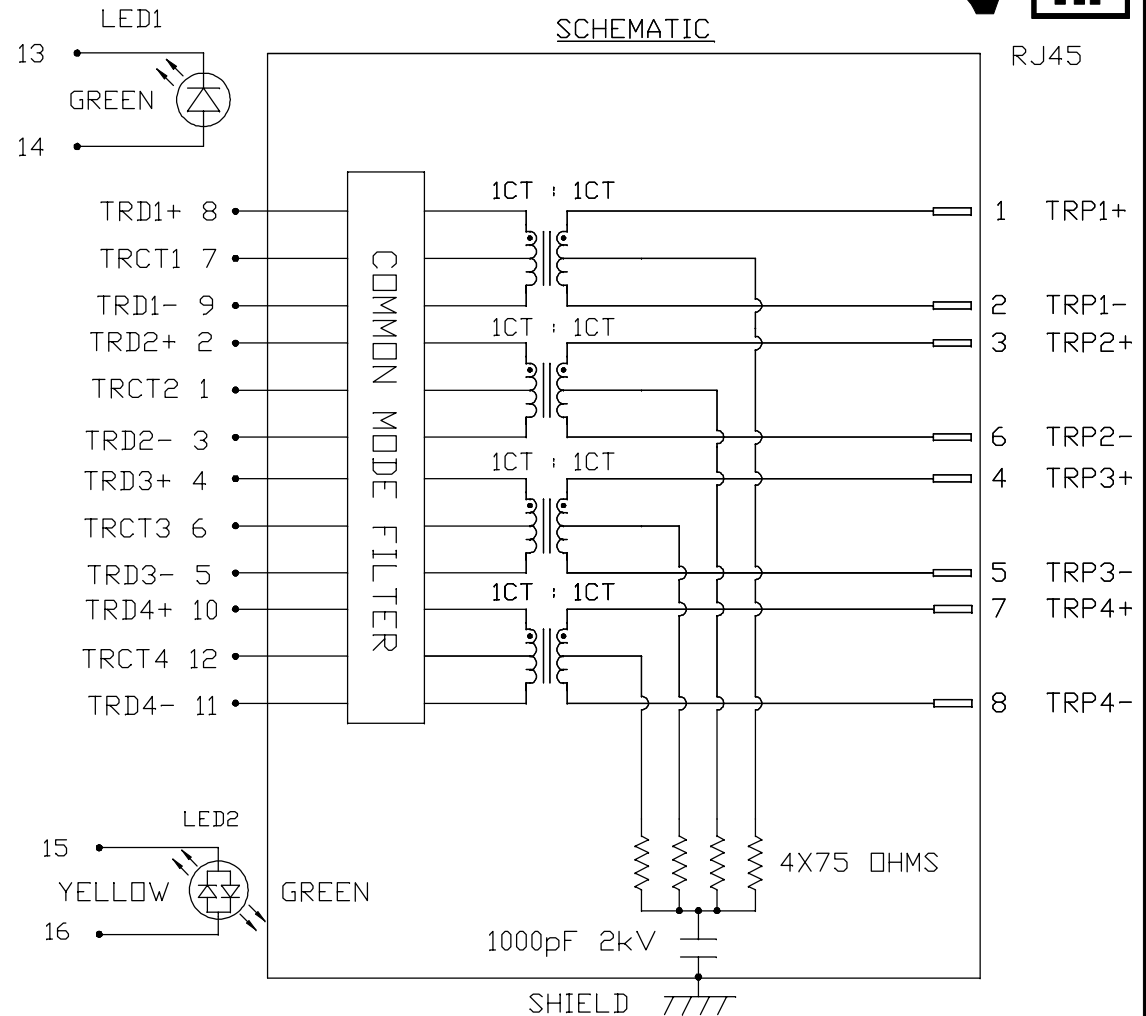
OPERATING TEMPERATURE: 0°C TO +70°C

LED 1

VF (FORWARD VOLTAGE) IF=20mA GREEN 2.2V TYP.
 λD (DOMINANT WAVELENGTH) IF=20mA GREEN 570nm TYP.

LED 2

VF (FORWARD VOLTAGE) IF=20mA GREEN 2.2V TYP.
 YELLOW 2.1V TYP.
 λD (DOMINANT WAVELENGTH) IF=20mA GREEN 570nm TYP.
 YELLOW 590nm TYP.



ORIGINATED BY CHOW WANCHUNG	TITLE 2.5 Gigabit MagJack® (Ultra Low Profile)
DATE 2017-11-22	
DRAWN BY XIE YIMING	L8BJ-1K1T-KDE PATENTED
DATE 2017-11-22	

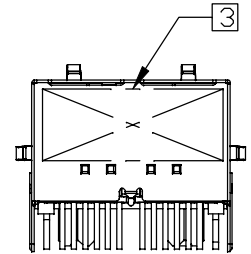
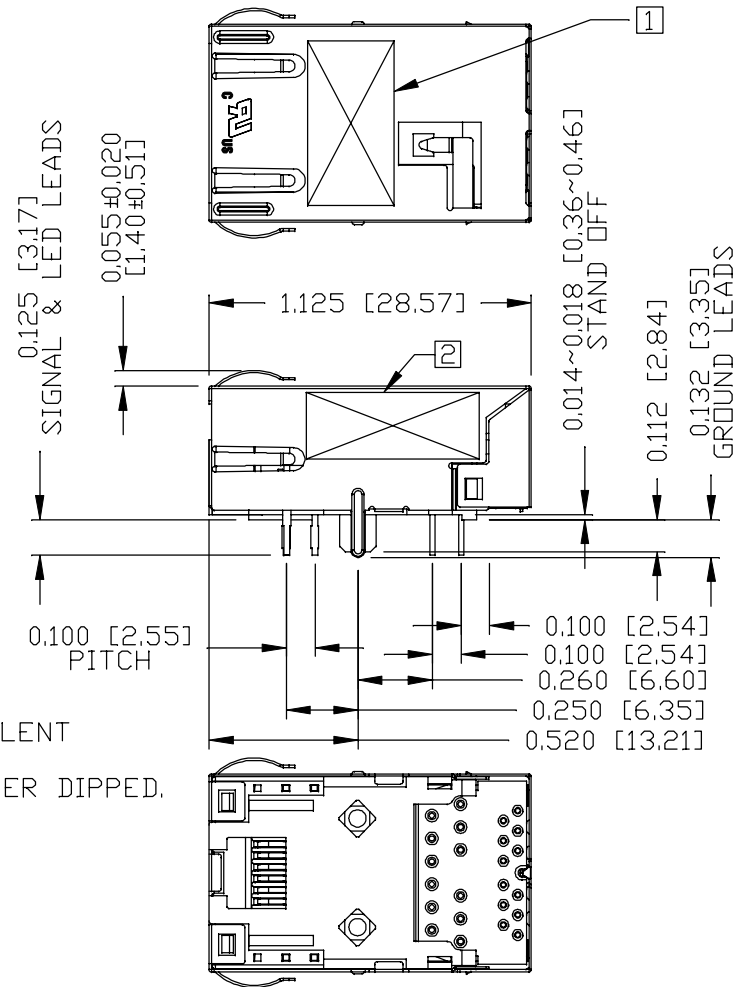
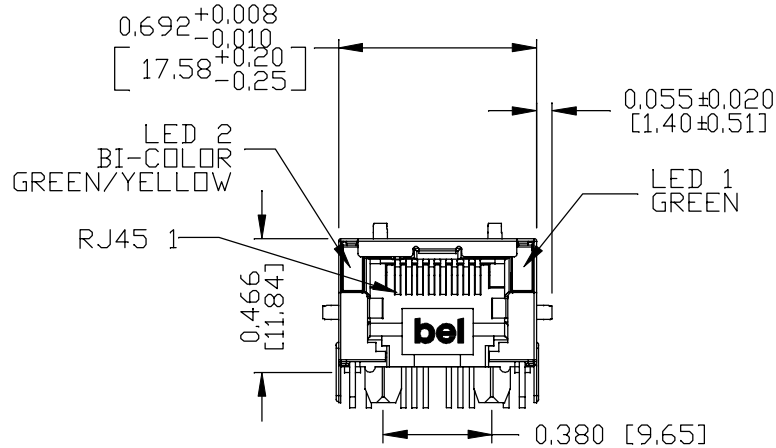
PART NO. / DRAWING NO. L8BJ-1K1TKDE	STANDARD DIM. TOL. IN INCH	[] METRIC DIM. AS REF.
FILE NAME L8BJ-1K1TKDE_PA.DWG	.X	UNIT : INCH [mm]
	.XX	SCALE : N/A
	.XXX	SIZE : A4

REV. : PA PAGE : 2



THE INFORMATION CONTAINED HEREIN IS CONSIDERED "PROPRIETARY" TO BEL FUSE INC. AND SHALL NOT BE COPIED, REPRODUCED OR DISCLOSED WITHOUT THE WRITTEN APPROVAL OF BEL FUSE INC.

PRELIMINARY



NOTES:

- PLASTIC HOUSING: THERMOPLASTIC PA, BLACK, FLAMMABILITY RATING UL 94V-0
- CONTACT PLATING: 50 MICRO-INCH HARD GOLD PLATING OR EQUIVALENT
- OUTPUT PINS: TIN-COATED COPPER WIRE, DIA 0.018 INCH, 100 MICRO-INCH MIN MATTE TIN. PINS ARE SOLDER DIPPED.
- METAL SHIELD: NICKEL PLATED ON COPPER ALLOY, (ALL GROUND LEADS ARE SOLDER DIPPED)

- 1. MARK PART WITH PART NUMBER AND DATE CODE.
- 2. MARK PART WITH MFG. LOGO AND MFG. NAME.
- 3. "PATENTED" MARKING, THE PRODUCT IS PATENTED. THE PATENT NUMBER ARE U.S. PAT. 6,840,817 AND U.S. PAT. 7,123,117.

- 4. THE PRODUCT IS RoHS COMPLIANT & HALOGEN FREE.
- 5. JACK CAVITY CONFORMS TO FCC RULES AND REGULATIONS, PART 68 SUBPART F.
- 6. THE AXIAL RETENTION FORCE OF RJ PORT IS 15LBS MIN.

7. THE PRODUCT IS RECOMMENDED FOR WAVE SOLDERING PROCESS, PEAK TEMPERATURE 260°C MAX. AND 10 SECONDS MAX.,

ORIGINATED BY
ANTON LIAO
DATE 2017-11-22
DRAWN BY
JESSE LI
DATE 2017-11-22

TITLE
2.5 Gigabit MagJack®
(Ultra Low Profile)
L8BJ-1K1T-KDE
PATENTED

PART NO. / DRAWING NO.
L8BJ-1K1TKDE
FILE NAME
L8BJ-1K1TKDE_PA.DWG

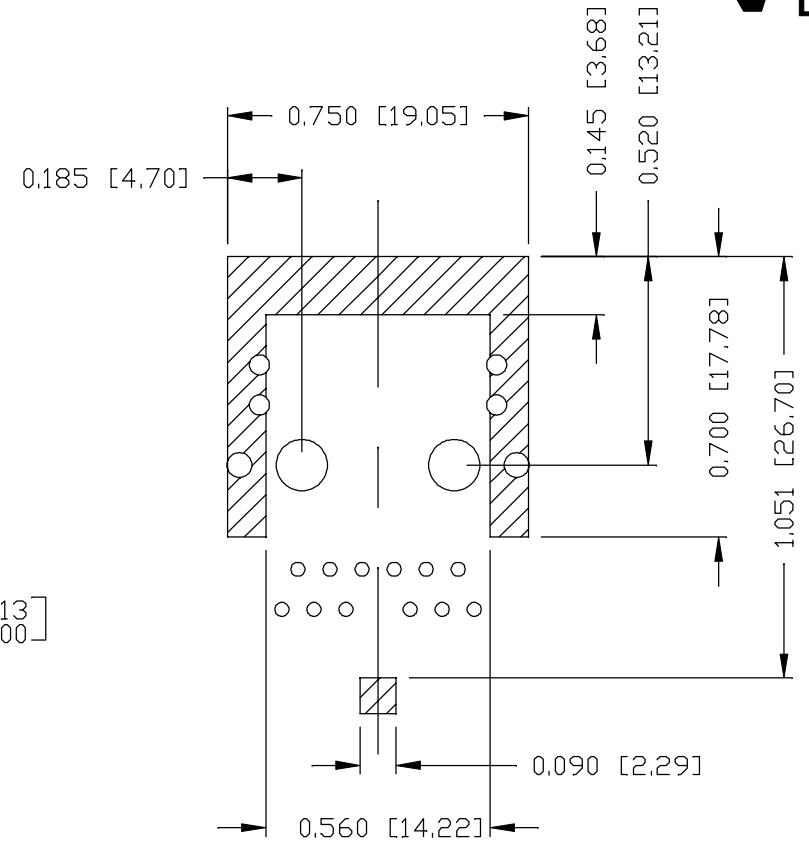
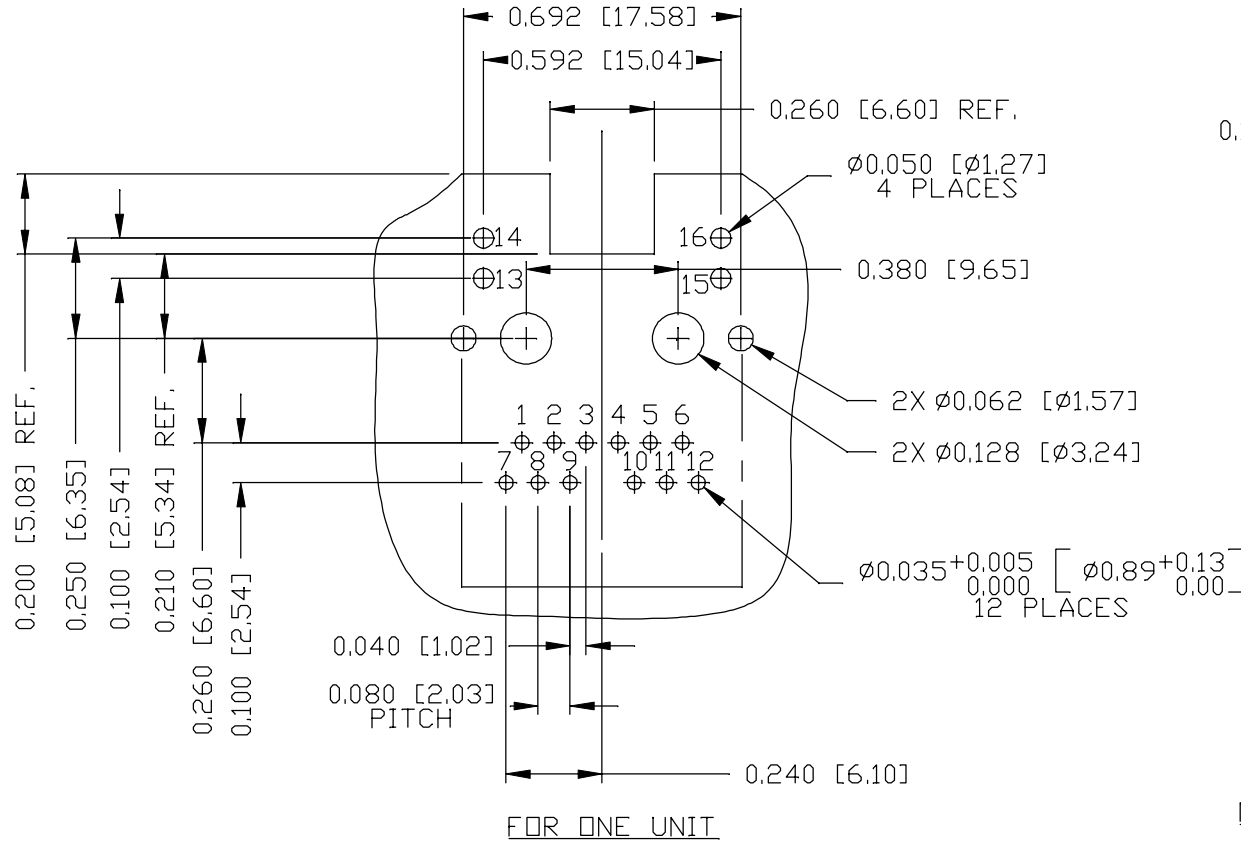
STANDARD DIM. TOL. IN INCH	[] METRIC DIM. AS REF.
.X	UNIT : INCH [mm]
.XX	SCALE : N/A
.XXX	SIZE : A4

REV. : PA	PAGE : 3

THE INFORMATION CONTAINED HEREIN IS CONSIDERED "PROPRIETARY" TO BEL FUSE INC. AND SHALL NOT BE COPIED, REPRODUCED OR DISCLOSED WITHOUT THE WRITTEN APPROVAL OF BEL FUSE INC.

RECOMMENDED PCB FOOTPRINT
COMPONENT SIDE VIEW

PRELIMINARY



NOTES:

THE SHADED AREA ON THE CUSTOMER BOARD ARE RECOMMENDED TO BE CLEAR OFF ANY VIA HOLE OR COMPONENT PAD.

ORIGINATED BY
ANTON LIAO
DATE 2017-11-22
DRAWN BY
JESSE LI
DATE 2017-11-22

TITLE
2.5 Gigabit MagJack®
(Ultra Low Profile)
L8BJ-1K1T-KDE
PATENTED

PART NO. / DRAWING NO.
L8BJ-1K1TKDE
FILE NAME
L8BJ-1K1TKDE_PA.DWG

STANDARD DIM. TOL. IN INCH	[] METRIC DIM. AS REF.
.X	UNIT : INCH [mm]
.XX	SCALE : N/A
.XXX	±0.004
	SIZE : A4

REV. : PA PAGE : 4

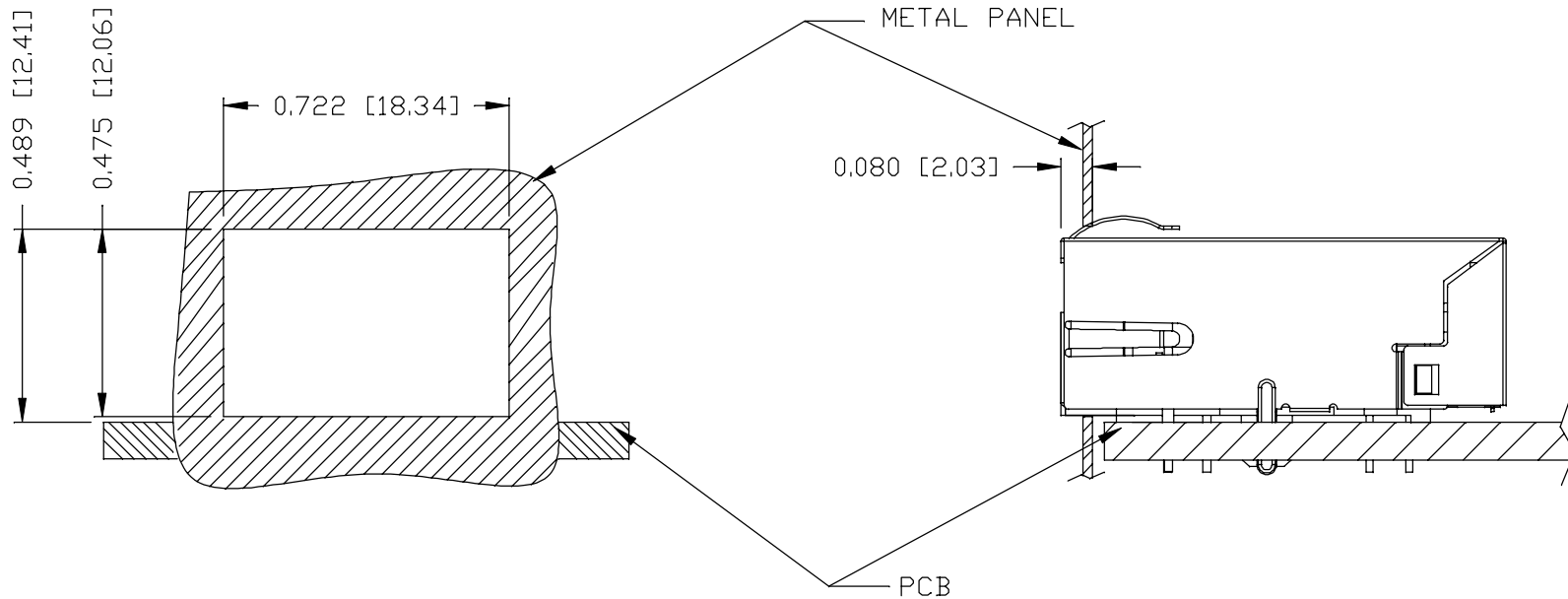


THE INFORMATION CONTAINED HEREIN IS CONSIDERED "PROPRIETARY" TO BEL FUSE INC. AND SHALL NOT BE COPIED, REPRODUCED OR DISCLOSED WITHOUT THE WRITTEN APPROVAL OF BEL FUSE INC.

PRELIMINARY



SUGGESTED PANEL OPENING



NOTE:

THE DISTANCE OF PANEL INSIDE SURFACE RELATIVE TO FRONT SURFACE OF PART IS ONLY A SUGGESTION. IN CASE THIS DISTANCE IS DIFFERENT, THE REQUIRED PANEL OPENING DIMENSIONS CHANGE ACCORDINGLY.

TRAY PACKING INFORMATION

PACKING TRAY : 0200M9999-C6 (TOP)
0200M9999-C7 (BOTTOM)

PACKING QUANTITY : 50 PCS FINISHED GOODS PER TRAY
10 TRAYS (500 PCS FINISHED GOODS) PER CARTON BOX

NOTE : CARDBOARDS ARE PLACED BETWEEN LAYERS OF PACKING TRAY INSIDE CARTON BOX
(INCLUDE THE UPPERMOST AND LOWERMOST TRAY)

REV. : PA PAGE : 5

ORIGINATED BY
ANTON LIAO
DATE 2017-11-22
DRAWN BY
JESSE LI
DATE 2017-11-22

TITLE
2.5 Gigabit MagJack®
(Ultra Low Profile)
L8BJ-1K1T-KDE
PATENTED

PART NO. / DRAWING NO.
L8BJ-1K1TKDE
FILE NAME
L8BJ-1K1TKDE_PA.DWG

STANDARD DIM. TOL. IN INCH	[] METRIC DIM. AS REF.
.X	UNIT : INCH [mm]
.XX	SCALE : N/A
.XXX ±0.004	SIZE : A4

