



Female connector; with coding finger; with locking levers; Strain relief plate

Item No.: 734-112/037-047/034-000



Female connector; with coding finger; with locking levers; Strain relief plate

Marking

RoHS ✓
Compliant

Business data

Supplier	WAGO
Item no.	734-112/037-047/034-000
GTIN / EAN	4044918495332
Content	1
Order amount	25
Customer item number	

Notes

Item description: Universal connection for all conductor types Easy cable pre-assembly and on-unit wiring via vertical and horizontal CAGE CLAMP® actuation Strain relief plates and housings for in-the-field assembly 100% protected against mismatching Coding option available

Technical data

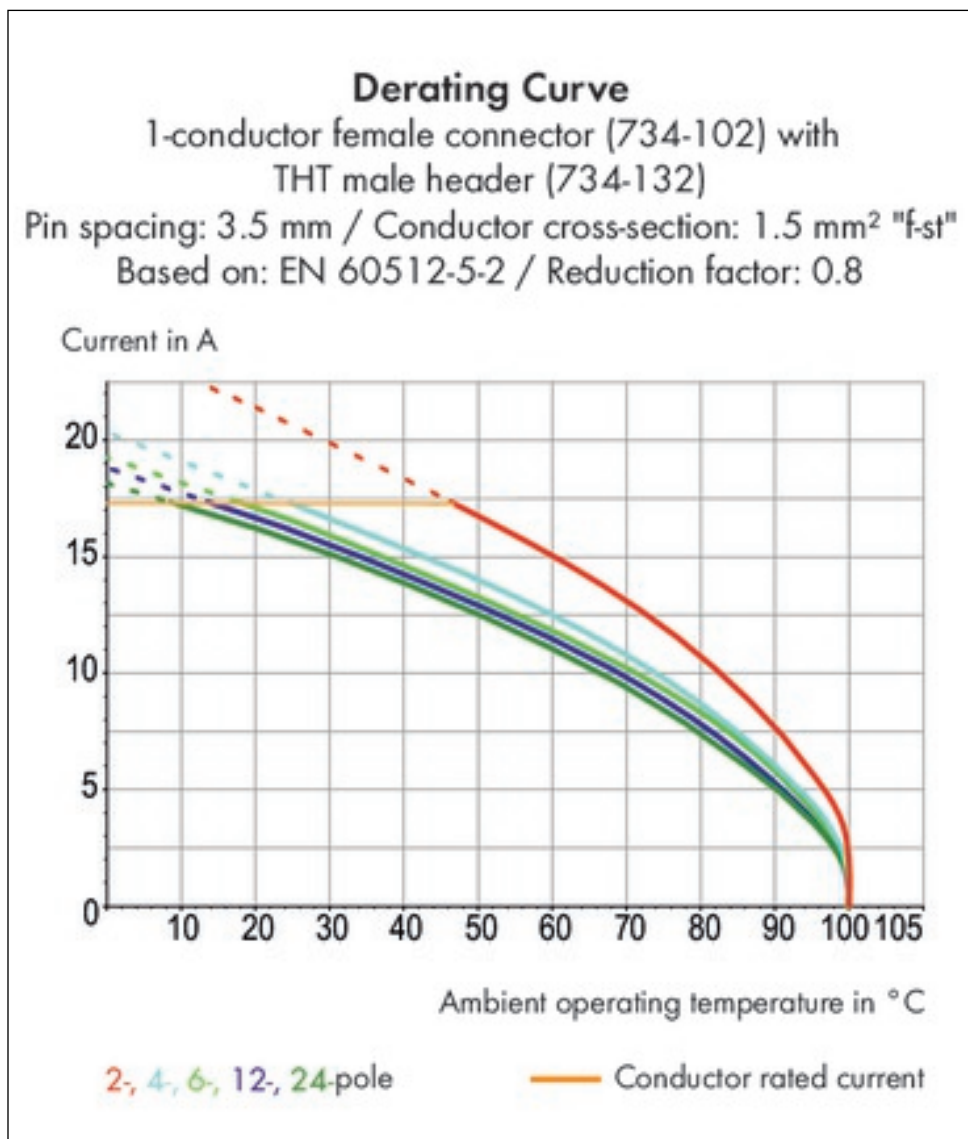
Miscellaneous

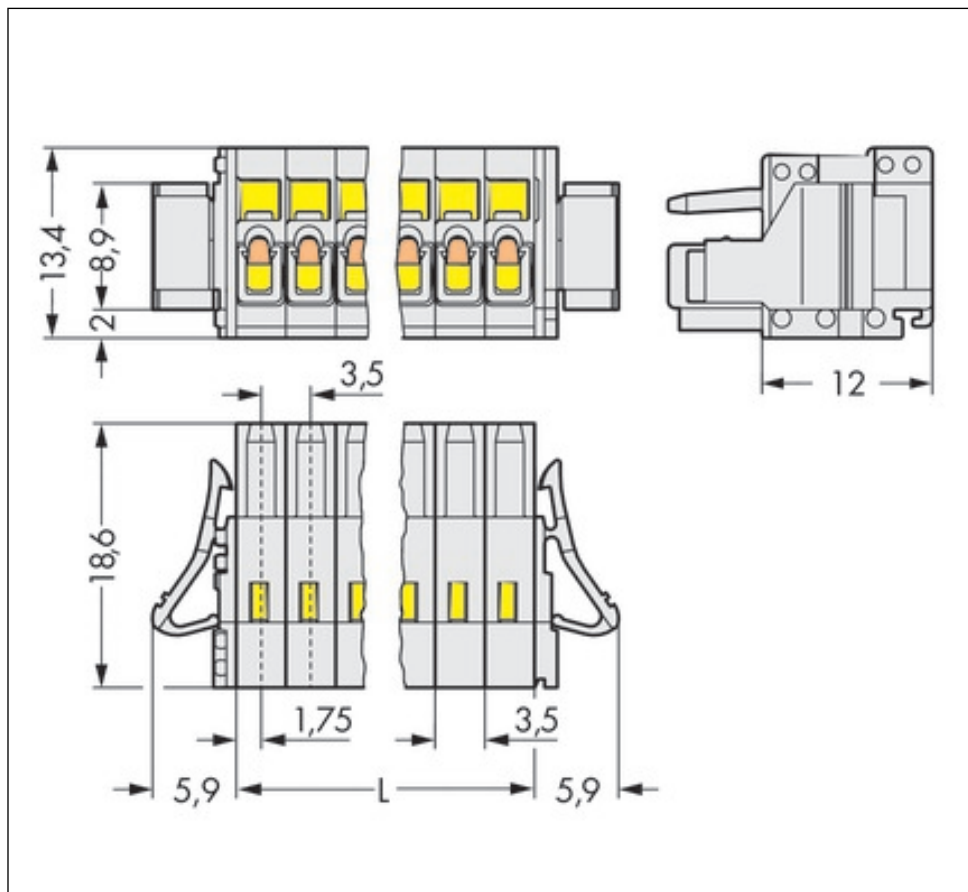
No. of poles	12
Pin spacing	3.5 mm (0.138 in)
Total number of connection points	12

Technical data	
Total number of potentials	12
Color	light gray
Ratings per	IEC/EN 60664-1
Rated voltage (III / 3) [V]	160 [V]
Rated impulse voltage (III / 3) [kV]	2.5 [kV]
Rated voltage (III/2) [V]	160 [V]
Rated impulse voltage (III / 2) [kV]	2.5 [kV]
Rated voltage (II / 2) [V]	320 [V]
Rated impulse voltage (II / 2) [kV]	2.5 [kV]
Rated current [A]	10 [A]
Legend for ratings	(III / 2) Overvoltage category III / Pollution degree 2
Number of connection objects	1
Number of levels	1
Connection technology	CAGE CLAMP®
Number of connection points connector	1
Actuation type	Operating tool
Solid conductor	0.08 ... 1.5 mm ² / 28 ... 14 AWG
Fine-stranded conductor	0.08 ... 1.5 mm ² / 28 ... 14 AWG
Fine-stranded conductor with ferrule with plastic collar	0.25 ... 1.5 mm ² / ...
Fine-stranded conductor with ferrule without plastic collar	0.25 ... 1.5 mm ² / ...
Strip length	6 ... 7 mm / 0.24 ... 0.28 Inch
Material group	I
Insulating material	Polyamide 66 (PA 66)
Flammability class per UL94	V0
Limit temperature range	-60 ... 100 °C
Clamping spring material	Chrome-nickel spring steel (CrNi)
Contact material	Copper alloy
Contact plating	tin-plated
Fire load [MJ]	0.174 [MJ]
Weight [g]	10.195 [g]
Width	53.8 mm / 2.118 Inch
Height	13.4 mm / 0.528 Inch
Depth	18.6 mm / 0.732 Inch

Images & drawings







Address

WAGO Kontakttechnik GmbH & Co. KG

Hansastr. 27

32423 Minden

Telefon: 0571/887-0

Fax: 0571/887-169

<http://www.wago.com>

© WAGO Kontakttechnik GmbH & Co. KG

Technische Änderungen und Irrtümer vorbehalten.