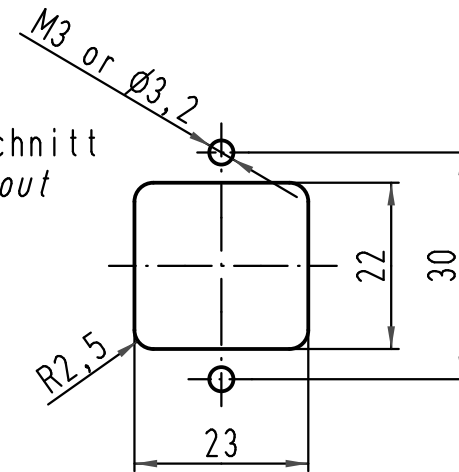
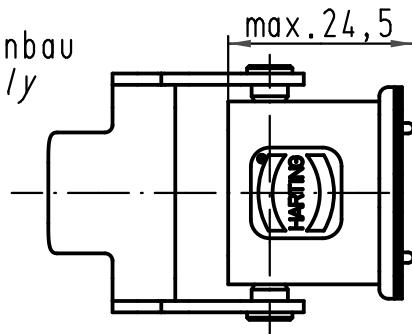


Montageausschnitt  
panel cut out



A and B are reference planes on RJ45 jack.

Zusammenbau  
assembly



All Dimensions in mm Original Size DIN A 4			Techn. Character.		Nicht tolerierte Masse/ Free size tolerances		
			Dat.	Name	1:1	<b>HARTING RJ Industrial® RJ45 Hybrid EMC-Version</b> Wanddurchführungs-Set	
			Detail.	29/02/12			SD
			Insp.	29/02/12			JB
			Stand.				
36292	29/02/12	SD	HARTING EURL F-95972 Paris			<b>TB 09 45 515 0028</b> Sub.	
Mod.	Dat.	Name					
						Blatt/ page 1/1	