

AC 100 NR

EC axial panel fan



ebm-papst St. Georgen GmbH & Co. KG

Hermann-Papst-Str. 1

D-78112 St. Georgen

Phone +49 (0) 7724 81-0

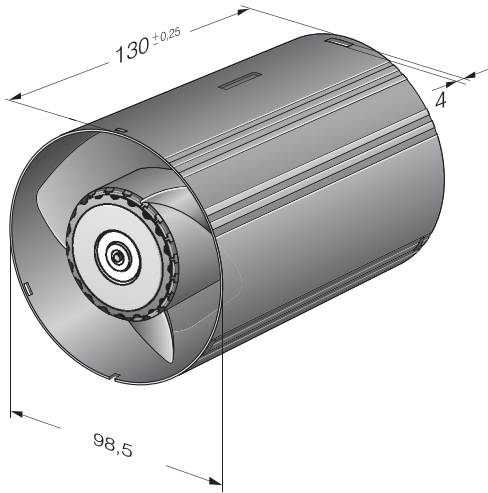
info2@de.ebmpapst.com

www.ebmpapst.com

Technical description

Weight	0.40 kg
Dimensions	98.50 x 130 mm
Airflow direction	Intake over struts
Service life L10 at 40 °C	70000 h
Service life L10 at maximum temperature	50000 h

Product drawing



Curves

