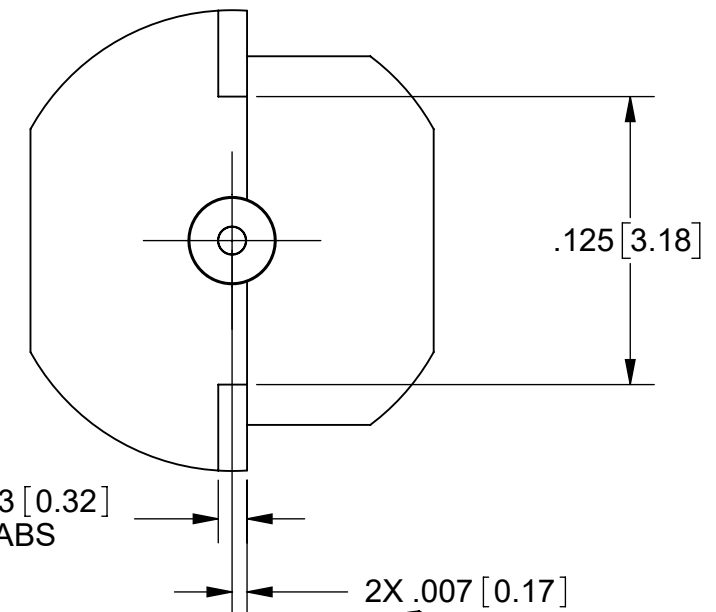
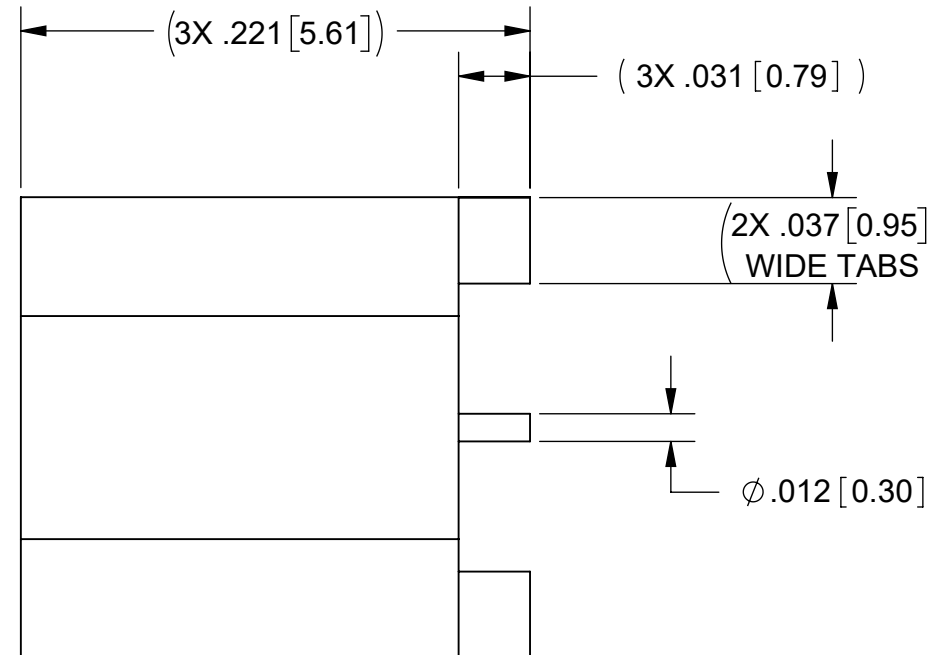
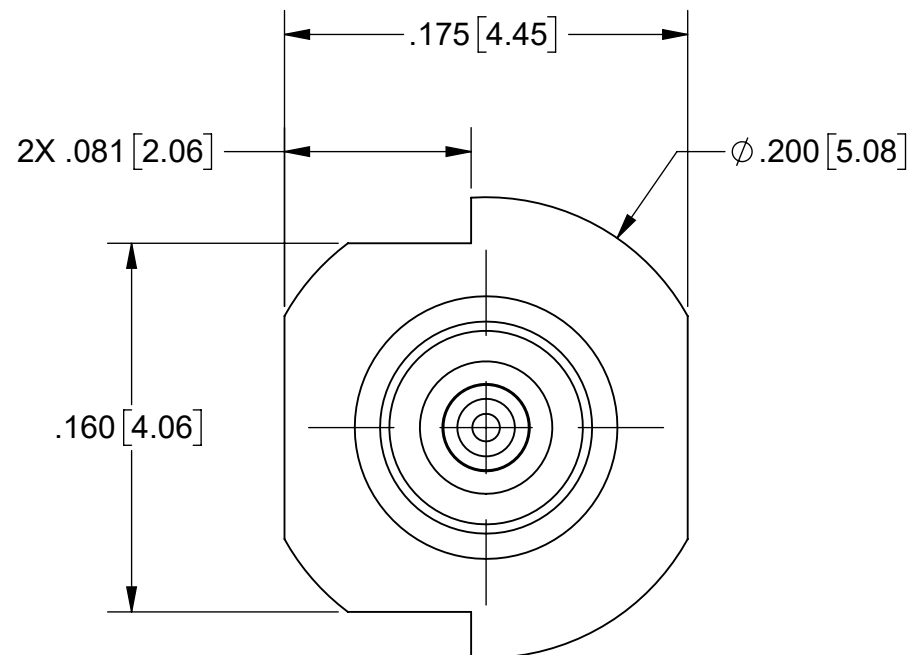
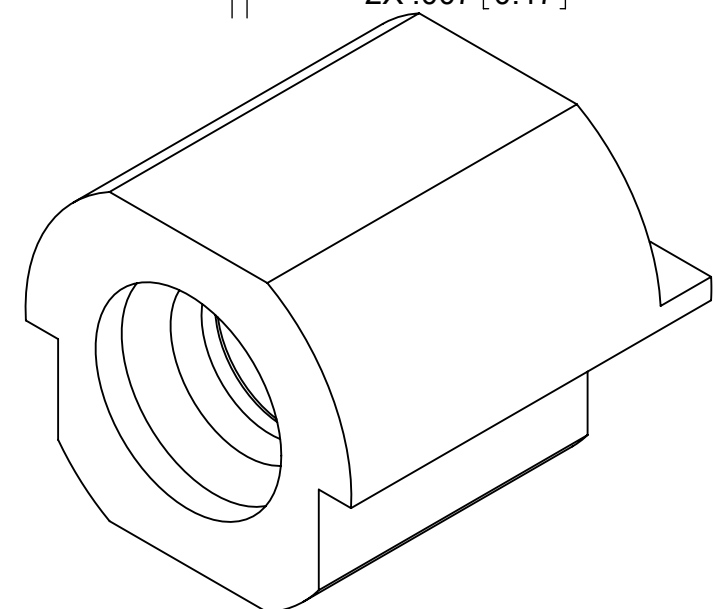
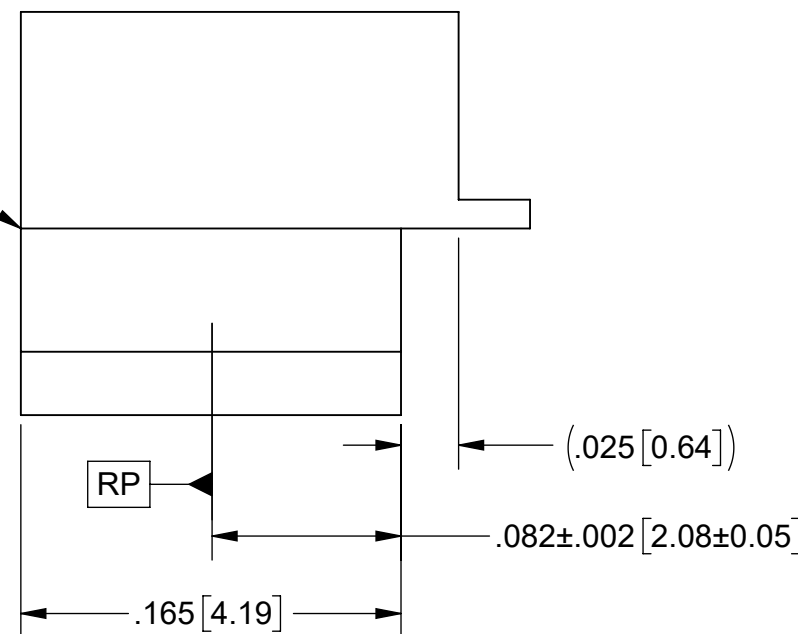


PRODUCT DATA DRAWING

REVISION HISTORY			
REV	DESCRIPTION	DATE	APPROVED
-	DCN 56982	05/25	SEE PDM



INTERFACE PER MIL-STD-348 SEE TABLE



MATERIAL:

BODY: STAINLESS STEEL PER AMS-5640, ALLOY UNS S30300, TYPE 1 OR ASTM A582, TYPE 303, COND. A.

CONTACT: BERYLLIUM COPPER PER ASTM B196, ALLOY No. UNS C17300, TD04

INSULATOR: PTFE PER ASTM D1710, TYPE I, GRADE 1, CLASS B

FINISH:

BODY & CONTACT: GOLD PER ASTM B488, TYPE II, CODE C, CLASS 1.27, OVER NICKEL PER AMS-QQ-N-290, CLASS 1, .00005" MIN.

PERFORMANCE:

IMPEDANCE: 50 OHMS

FREQ. RANGE: DC TO 65 GHz

NOTES:

- THIS PART HAS BEEN OPTIMIZED TO FEATURE AN EXTENDED FLANGE AT THE PCB TRANSITION TO MAINTAIN ELECTRICAL CONTACT IN THE EVENT OF COPPER PULL BACK.

SV P/N	INTERFACE
3211-60493	SMOOTH BORE
3211-60494	FULL DETENT

MATERIAL:	SEE NOTES
FINISH:	SEE NOTES
SURFACE AREA:	N/A
PROPRIETARY	
THE INFORMATION CONTAINED IN THIS DRAWING IS THE SOLE PROPERTY OF SV MICROWAVE, INC. ANY REPRODUCTION IN PART OR AS A WHOLE WITHOUT THE WRITTEN PERMISSION OF SV MICROWAVE, INC IS PROHIBITED.	

DIMENSIONS ARE IN INCHES TOLERANCES:
 FRACTIONAL: ±1/64 ANGULAR: X° ±1'0" X'X' ±15'
 DECIMAL: X ±.030
 .XX ±.010
 .XXX ±.005

INTERPRET DIMENSIONS AND TOLERANCES PER ASME Y14.5M - 1994

UNLESS OTHERWISE SPECIFIED

- ALL DIMENSIONS ARE IN INCHES (MILLIMETERS)
- ALL DIMENSIONS ARE AFTER PLATING.
- BREAK CORNERS & EDGES .005 R. MAX.
- CHAM. 1ST & LAST THREADS.
- SURFACE ROUGHNESS 63-MIL-STD-10.
- DIA: 'S ON COMMON CENTERS TO BE CONCENTRIC WITHIN .005 T.I.R.
- REMOVE ALL BURRS



TITLE:
SMPM MALE EDGE LAUNCH PLUS

SIZE DWG. NO.
B 3211-60493-60494

THIRD ANGLE PROJECTION	DRAWN: ENB 05/01/25
	CHECKED: SEE PDM
	APPROVED: SEE PDM