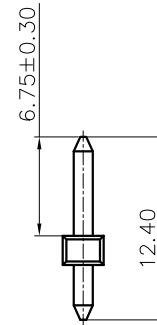
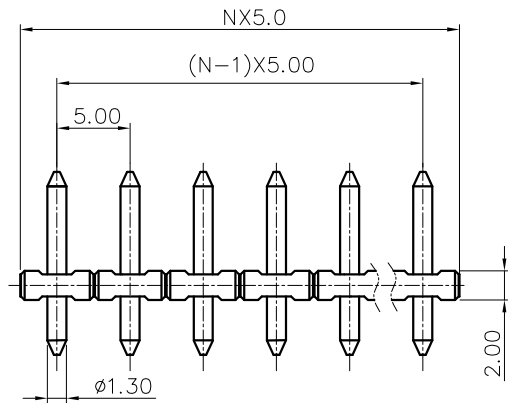


REVISION RECORD

REV	ECN	DESCRIPTION	DRFT	DATE
-----	-----	-------------	------	------



NOTES1:

UL Standard

1.Rated voltage/current : 300V / 10A

IEC Standard

1.Rated voltage/current : 250V / 12A

NOTES2:

1.Dimension shall be interpreted per ASME Y14.5-2009

2.Pitch : 5.0mm, Poles : N=2~24P

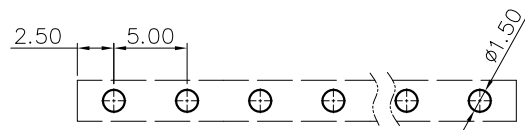
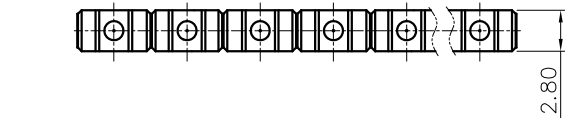
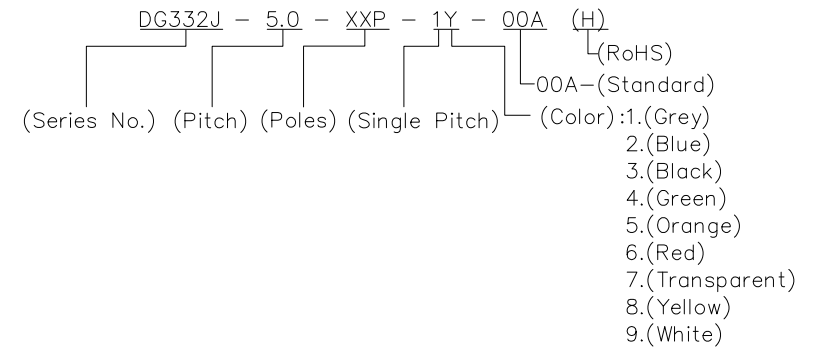
3.Withstanding voltage : AC2000V/1Min

4.Operating temperature: -40°C~+105°C

5.Undimensioned tolerances:

Pitch range in mm		Nominal dimension range in mm					—	∩	∇
TO	Over TO	Over TO	Over TO	Over TO	Over TO	0.1/10			
6	10	24	30	60	100	150			
±0.15	±0.20	±0.30	±0.30	±0.50	±0.70	±1.00	±1.30	±2'	

6.RoHS Compliance



TOP VIEW-LAYOUT

DETACHED LISTS	PART NO.:	宁波高松电子有限公司 NINGBO DEGSON ELECTRICAL CO., LTD			
	APPD:	NAME: DG332J-5.0-XXP-1Y-00A(H)			
	CHKD:	TITLE: CUSTOMER DRAWING			
	DRFT:	DRAWING NO.:		REV	DO
		MM (INCH)	DO NOT SCALE DRAWING	SHEET 1/1	SCALE 1:1