

- Very high 5200 VDC I/O-isolation (5700 Vpk)
- Unregulated outputs
- Dedicated for IGBT applications
- Operating temperature range $-40\text{ }^{\circ}\text{C}$ to $+85\text{ }^{\circ}\text{C}$
- 3-year product warranty



UL 62368-1 IEC 62368-1

The TMV-2HI series is a range of 2 Watt unregulated Dc/DC-converters with very high I/O-isolation of 5700 Vpk. They come in a compact SIP-7 package.

Models

Order Code	Input Voltage Range	Output 1		Output 2		Efficiency typ.
		Vnom	I _{max}	Vnom	I _{max}	
TMV 2-0503SHI	4.5 - 5.5 VDC (5 VDC nom.)	3.3 VDC	500 mA			74 %
TMV 2-0505SHI		5 VDC	400 mA			80 %
TMV 2-0509SHI		9 VDC	222 mA			81 %
TMV 2-0512SHI		12 VDC	168 mA			82 %
TMV 2-0515SHI		15 VDC	132 mA			79 %
TMV 2-0505DHI		+5 VDC	200 mA	-5 VDC	200 mA	78 %
TMV 2-0509DHI		+9 VDC	112 mA	-9 VDC	112 mA	80 %
TMV 2-0512DHI		+12 VDC	84 mA	-12 VDC	84 mA	80 %
TMV 2-0515DHI		+15 VDC	66 mA	-15 VDC	66 mA	79 %
TMV 2-05159HI		+15 VDC	66 mA	-9 VDC	110 mA	80 %
TMV 2-1203SHI		10.8 - 13.2 VDC (12 VDC nom.)	3.3 VDC	500 mA		
TMV 2-1205SHI	5 VDC		400 mA			79 %
TMV 2-1209SHI	9 VDC		222 mA			81 %
TMV 2-1212SHI	12 VDC		168 mA			83 %
TMV 2-1215SHI	15 VDC		132 mA			82 %
TMV 2-1205DHI	+5 VDC		200 mA	-5 VDC	200 mA	79 %
TMV 2-1209DHI	+9 VDC		112 mA	-9 VDC	112 mA	81 %
TMV 2-1212DHI	+12 VDC		84 mA	-12 VDC	84 mA	82 %
TMV 2-1215DHI	+15 VDC		66 mA	-15 VDC	66 mA	83 %
TMV 2-12159HI	+15 VDC		66 mA	-9 VDC	110 mA	81 %
TMV 2-1503SHI	13.5 - 16.5 VDC (15 VDC nom.)		3.3 VDC	500 mA		
TMV 2-1505SHI		5 VDC	400 mA			79 %
TMV 2-1509SHI		9 VDC	222 mA			83 %
TMV 2-1512SHI		12 VDC	168 mA			83 %
TMV 2-1515SHI		15 VDC	132 mA			85 %
TMV 2-1505DHI		+5 VDC	200 mA	-5 VDC	200 mA	81 %
TMV 2-1509DHI		+9 VDC	112 mA	-9 VDC	112 mA	84 %
TMV 2-1512DHI		+12 VDC	84 mA	-12 VDC	84 mA	82 %
TMV 2-1515DHI		+15 VDC	66 mA	-15 VDC	66 mA	82 %
TMV 2-15159HI		+15 VDC	66 mA	-9 VDC	110 mA	83 %
TMV 2-2403SHI		21.6 - 26.4 VDC (24 VDC nom.)	3.3 VDC	500 mA		
TMV 2-2405SHI	5 VDC		400 mA			77 %
TMV 2-2409SHI	9 VDC		222 mA			81 %
TMV 2-2412SHI	12 VDC		168 mA			82 %
TMV 2-2415SHI	15 VDC		132 mA			82 %
TMV 2-2405DHI	+5 VDC		200 mA	-5 VDC	200 mA	77 %
TMV 2-2409DHI	+9 VDC		112 mA	-9 VDC	112 mA	81 %
TMV 2-2412DHI	+12 VDC		84 mA	-12 VDC	84 mA	81 %
TMV 2-2415DHI	+15 VDC		66 mA	-15 VDC	66 mA	80 %
TMV 2-24159HI	+15 VDC		66 mA	-9 VDC	110 mA	81 %

Input Specifications

Input Current	- At no load	5 Vin models: 35 mA typ. 12 Vin models: 17 mA typ. 15 Vin models: 16 mA typ. 24 Vin models: 12 mA typ.
	- At full load	5 Vin models: 500 mA typ. 12 Vin models: 205 mA typ. 15 Vin models: 160 mA typ. 24 Vin models: 105 mA typ.
Surge Voltage		5 Vin models: 9 VDC max. (1 s max.) 12 Vin models: 18 VDC max. (1 s max.) 15 Vin models: 20 VDC max. (1 s max.) 24 Vin models: 30 VDC max. (1 s max.)
Recommended Input Fuse	(The need of an external fuse has to be assessed in the final application.)	
Input Filter	Internal Capacitor	

Output Specifications

Voltage Set Accuracy		±5% max.
Regulation (Unregulated)	- Input Variation (1% Vin step)	single output models: 1.2% max. dual output models: 1.2% max.
	- Load Variation - Voltage Balance (symmetrical load)	See application note: www.tracopower.com/tmv2hi-cc dual output models: 1% max.
Ripple and Noise	- 20 MHz Bandwidth	100 mVp-p max.
Capacitive Load	- single output	3.3 Vout models: 1'650 µF max. 5 Vout models: 940 µF max. 9 Vout models: 940 µF max. 12 Vout models: 440 µF max. 15 Vout models: 440 µF max.
	- dual output	5 / -5 Vout models: 440 / 440 µF max. 9 / -9 Vout models: 440 / 440 µF max. 12 / -12 Vout models: 200 / 200 µF max. 15 / -15 Vout models: 200 / 200 µF max. 15 / -9 Vout models: 200 / 440 µF max.
Minimum Load	See application note: www.tracopower.com/tmv2hi-cc (Operation at lower load will not damage the converter, but it may not meet all specifications)	
Temperature Coefficient		±0.02 %/K max.
Short Circuit Protection		Continuous, Automatic recovery

Safety Specifications

Standards	- IT / Multimedia Equipment	EN 60950-1 EN 62368-1 IEC 60950-1 IEC 62368-1 UL 60950-1 UL 62368-1
	- Certification Documents	www.tracopower.com/tmv2hi-safety-cert
Pollution Degree		PD 2

General Specifications

Relative Humidity	95% max. (non condensing)
-------------------	----------------------------------

All specifications valid at nominal voltage, resistive full load and +25°C after warm-up time, unless otherwise stated.

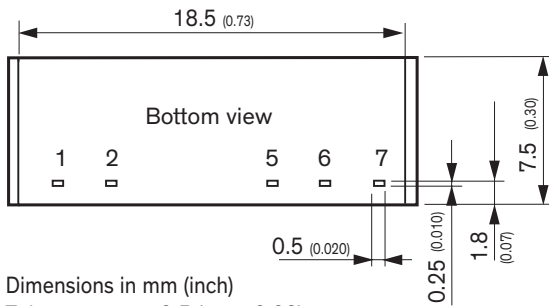
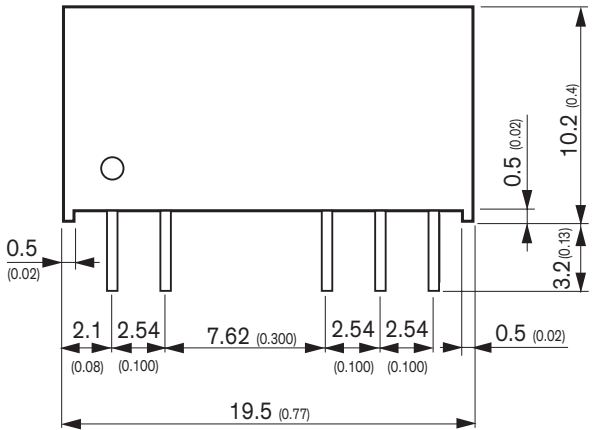
Temperature Ranges	- Operating Temperature - Case Temperature - Storage Temperature	-40°C to +85°C +95°C max. -55°C to +125°C
Power Derating	- High Temperature	6.7 %/K above 80°C
	See application note:	www.tracopower.com/tmv2hi-cc
Cooling System		Natural convection (20 LFM)
Altitude During Operation		6'000 m max.
Switching Frequency		100 kHz min. (PFM)
Insulation System		Functional Insulation
Isolation Test Voltage	- Input to Output, 60 s - Input to Output, 1 s	5'200 VDC 5'700 VDC
Isolation Resistance	- Input to Output, 500 VDC	10'000 MΩ min.
Isolation Capacitance	- Input to Output, 100 kHz, 1 V	7 pF typ.
Common Mode Transient Immunity		15 kV/μs min.
Reliability	- Calculated MTBF	1'110'000 h (MIL-HDBK-217F, ground benign)
Washing Process		According to Cleaning Guideline www.tracopower.com/info/cleaning.pdf
Housing Material		Non-conductive Plastic (UL 94 V-0 rated)
Potting Material		Epoxy (UL 94 V-0 rated)
Pin Material		Nickel-Iron (Alloy 42)
Pin Foundation Plating		Nickel (1 μm min.)
Pin Surface Plating		Tin (3 - 5 μm), matte
Housing Type		Plastic Case
Mounting Type		PCB Mount
Connection Type		THD (Through-Hole Device)
Footprint Type		SIP7
Soldering Profile		Lead-Free Wave Soldering 260°C / 10 s max.
Weight		2.4 g
Environmental Compliance	- REACH Declaration - RoHS Declaration - SCIP Reference Number	www.tracopower.com/info/reach-declaration.pdf REACH SVHC list compliant REACH Annex XVII compliant www.tracopower.com/info/rohs-declaration.pdf Exemptions: 7(a), 7(c)-I (RoHS exemptions refer to the component concentration only, not to the overall concentration in the product (O5A rule).) daccb26-15c2-4a56-a54b-e5283c148595

Additional Information

Supporting Documents	www.tracopower.com/overview/tmv2hi
Frequently Asked Questions	www.tracopower.com/glossary-faq
Glossary	www.tracopower.com/info/glossary.pdf

All specifications valid at nominal voltage, resistive full load and +25°C after warm-up time, unless otherwise stated.

Outline Dimensions

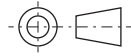


Dimensions in mm (inch)

Tolerances: $x.x \pm 0.5$ ($x.xx \pm 0.02$)

$x.xx \pm 0.25$ ($x.xxx \pm 0.010$)

Pin tolerances: ± 0.05 (± 0.002)



Pinout		
Pin	Single	Dual
1	+Vin (Vcc)	+Vin (Vcc)
2	-Vin (GND)	-Vin (GND)
5	-Vout	-Vout
6	No pin	Common
7	+Vout	+Vout