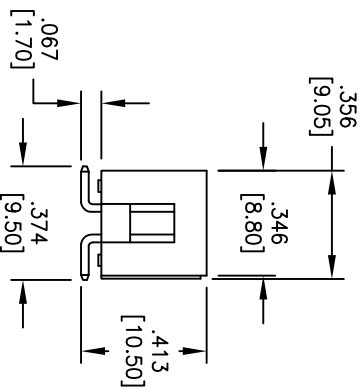
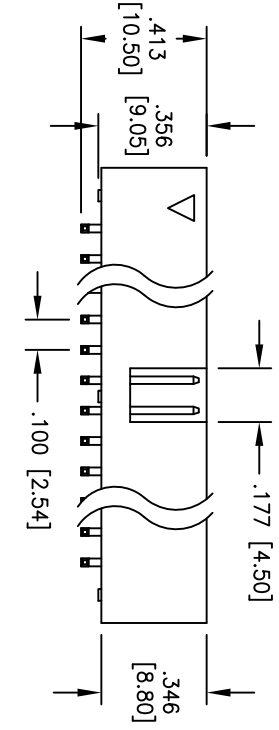
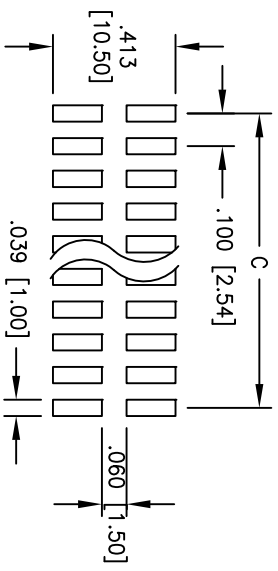
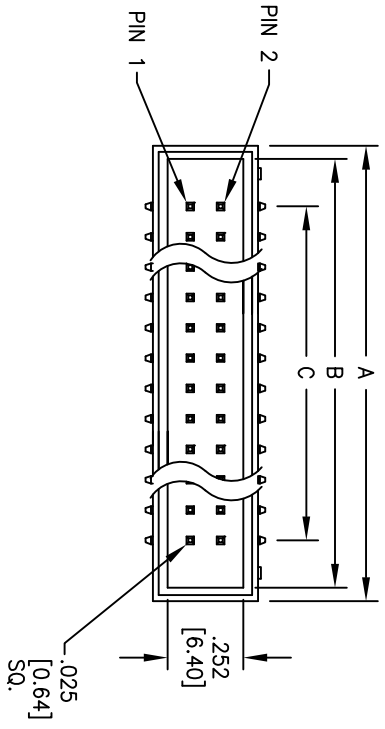


APPROVED: \_\_\_\_\_  
 DATE: \_\_\_\_\_ TITLE: \_\_\_\_\_

Rev	AWO #	Description	Date	Appr
-		RELEASED	7/28/04	
A		ADDED DIM.	1/24/14	AVJ/GC



POSITIONS: 06, 08, 10, 12, 14, 16, 20, 24, 26, 30, 34, 40, 44, 50, 56, 60, 64  
 A = .100 [2.54] X No. of Positions /2 + .299 [7.60]  
 B = .100 [2.54] X No. of Positions /2 + .212 [5.40]

**SPECIFICATIONS:**  
 Material: Insulator: Hi-temp thermoplastic, rated UL 94V-0  
 Insulator color: Black  
 Contacts: Brass  
 Plating: Gold Flash over Nickel underplate on mating area, Tin over Copper underplate on solder tails  
 Electrical: Current rating: 3 Amps max  
 Contact resistance: 20 Mohms max  
 Insulation resistance: 5000 Mohms min @ 500 VDC  
 Dielectric withstanding voltage: 500 VAC for 1 minute  
 Temperature Rating: Operating temperature: -40°C to +105°C  
 Environmental: Lead free, RoHS Compliant

UNLESS OTHERWISE SPECIFIED  
 ALL DIMENSIONS ARE INCHES [MM]  
 TOLERANCES: EXCEPT AS NOTED  
 INCHES: .X ± .10 ØXX ± .015  
 .XX ± .020 ØXXX ± .010  
 .XXX ± .015  
 APPROVALS: DATE

**ADAM TECH**  
 909 Railway Avenue, Union, NJ 07083  
 Phone: 908-687-5000 Fax: 908-687-5710  
 TITLE: BOX HEADER, VERTICAL SURFACE MOUNT,  
 2 ROW, .100 PITCH, SEL GOLD FLASH

DRAWN	SS	7/28/04	SIZE	PART NO.	BHR-XX-VSGA-SMT	REV.	A
CHECKED			X				
APPROVED			REF:	S00059T	SCALE: NTS	SHEET 1 OF 1	