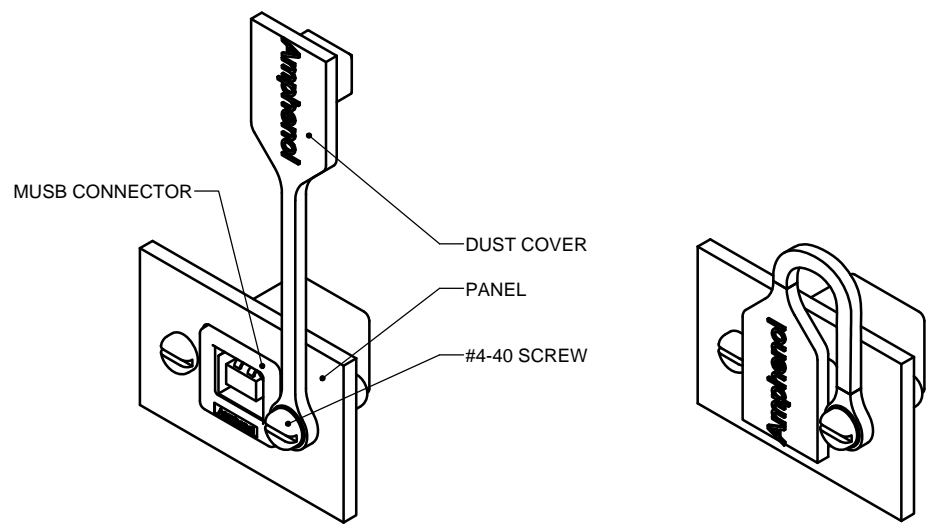
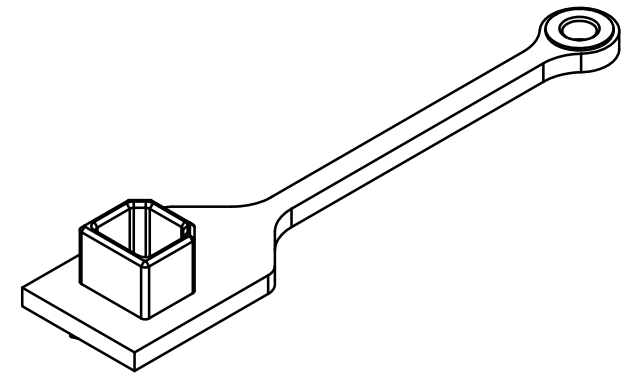
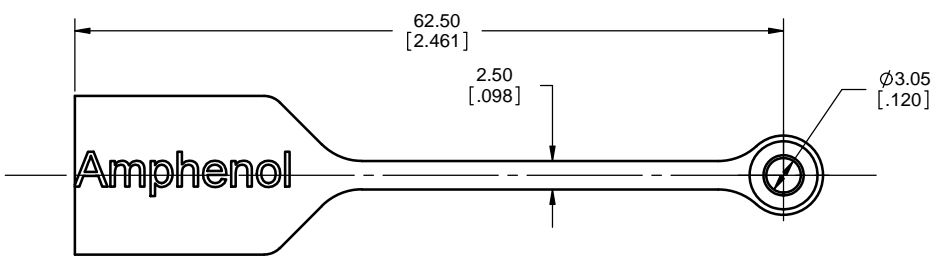
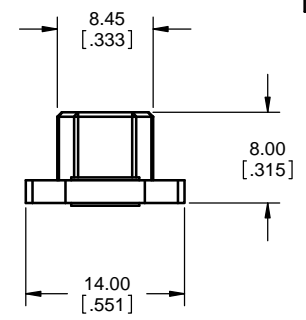
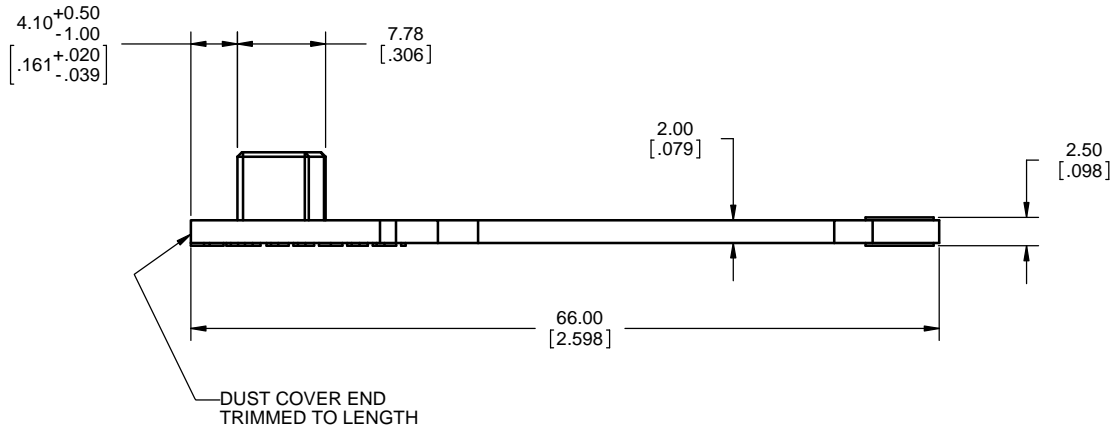


REVISIONS			
REV	DESCRIPTION, ECN, EAR NO.	DATE	APP'D
A	INITIAL RELEASE PER EAR 13953	SEP15/11	K.L



TYPICAL APPLICATION MUSB CONNECTOR WITH DUST COVER
SCALE 2:1

NOTES:

1. MATERIAL:
- DUST COVER - SILICONE RUBBER, COLOR - GREY.
- BUSHING - BRASS, NICKEL PLATED.
2. OPERATING TEMPERATURE: -40°C TO +105°C.
3. PART IS ROHS COMPLIANT PER EU DIRECTIVE 2002/95/EC AND AMENDMENTS.
4. PART SUPPLIED BULK PACKED.

AMPHENOL PART NUMBER: MUSB-2D11-006BP

UNLESS SPECIFIED OTHERWISE	DRAWN T. KEARSE	SEP15/11
PRIMARY UNITS MILLIMETERS	CHECKED K. LAMBIE	SEP15/11
SECONDARY UNITS INCHES	M.E. APP'D	
REFERENCE IN PARENTHESES	Q.A. APP'D	
GENERAL TOLERANCES	DWG APPR.	
1 DECIMAL PLACE	ENG. REL. NO.	
2 DECIMAL PLACES	REF. EAR 13953	
3 DECIMAL PLACES	THIRD ANGLE PROJECTION	DO NOT SCALE DRAWING
ANGULAR DEGREES		

Amphenol Canada Corp.

DUST COVER FOR MUSB TYPE B CONNECTOR, SPECIAL CUT LENGTH, RoHS COMPLIANT

DWG. NO. **P-MUSB-2D11-006BP** REV **A**

CODE ID NO. 03554 DWG SIZE: C SCALE: 3:1 SHEET 1 OF 1