

Potentiometers Rotary Potentiometer (Insulated shaft type)

9mm Size Insulated Shaft Long-life Type RK09Y1 1L Series

Compact design with a rotational life of 1 million cycles.



- Total resistance tolerance: $\pm 30\%$
- Maximum operating voltage: 50V AC, 5V DC
- Rotational torque: 5mN·m max.
- Operating life: 1,000,000 cycles
- Operating temperature range: -10°C to $+70^{\circ}\text{C}$

Applications: Game: Home handheld consoles, Virtual/augmented reality

Product List

Products No.	Number of resistor elements	Control part orientation	Shaft types	Length of the shaft	Detent	Total resistance	Resistance taper	Automotive	Drawing No.
RK09Y11L0001	Single-unit	Horizontal	Flat	12.0mm	Without	10k Ω	Linear	—	1

Note

1. This catalog shows only outline specifications. When using the products, please obtain formal specifications for supply.
2. Please place purchase orders per minimum order unit (integer).

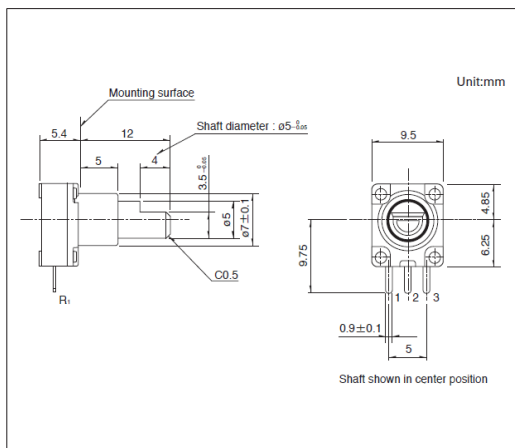
Packing Specifications

Bulk

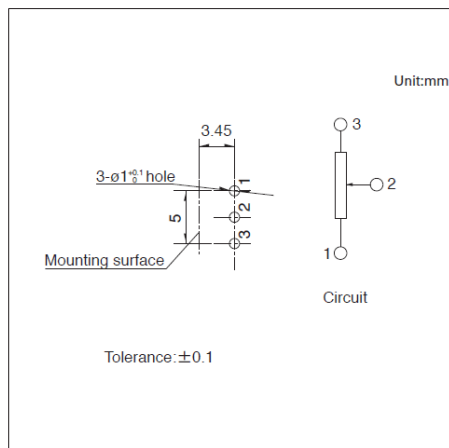
Number of packages (pcs.)		Export package measurements (mm)
1 case / Japan	1 case / export packing	
3,500	7,000	528 x 369 x 178

Drawing No. 1

Dimensions



Mounting Hole Dimensions



Viewed from mounting side.