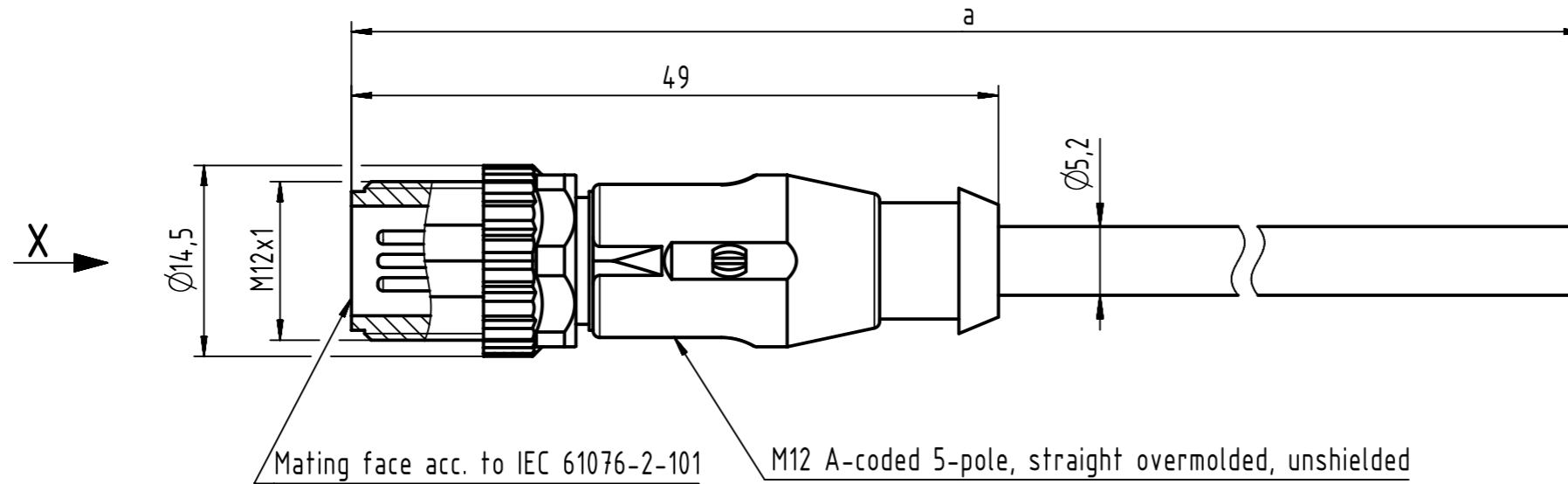
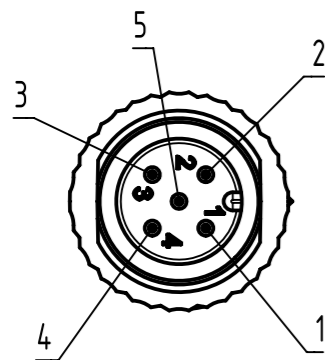


Connector Location A

Connector Location B



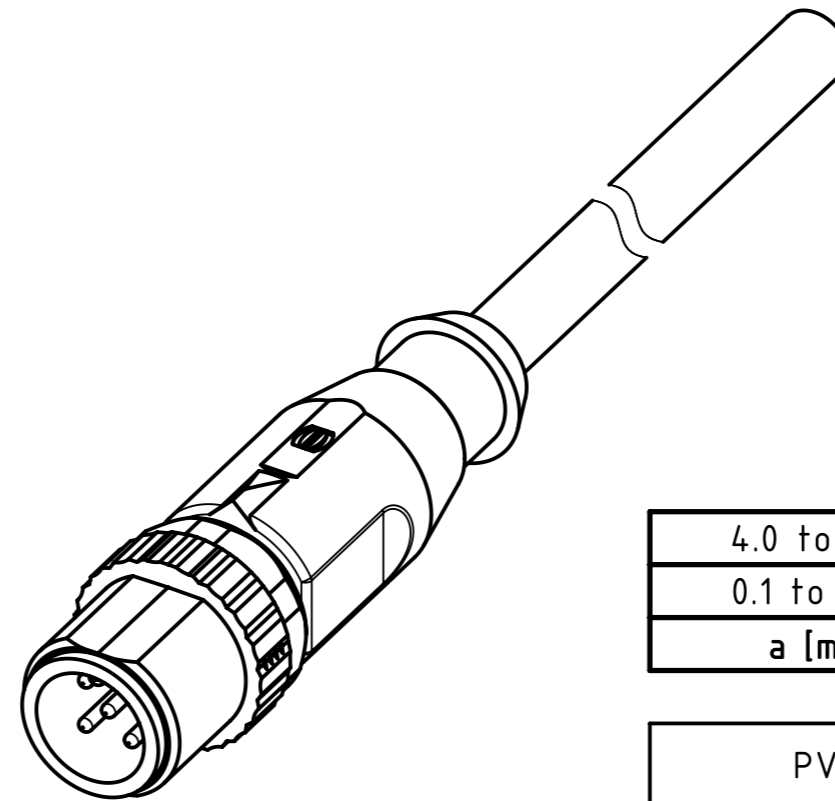
X
male



Loading-Plan:

- 1 brown
- 2 white
- 3 blue
- 4 black
- 5 green-yellow

- Protection level: IP67
- Temperature range: -25°C ... +80°C



| | |
|------------|-----------|
| 4.0 to 40 | ±1% |
| 0.1 to 3.9 | +0.04 |
| a [m] | Tolerance |

| | | |
|-----------------------|-------|---------|
| length in "1m" step | 40 | XXX=40 |
| | 39 | XXX=39 |
| | . | . |
| length in "0.1m" step | 12 | XXX=120 |
| | 11 | XXX=110 |
| | 10 | XXX=100 |
| | 9.9 | XXX=099 |
| | 9.8 | XXX=098 |
| | . | . |
| | . | . |
| Step | a [m] | XXX |

| | |
|---------------------------------|----------------|
| PVC grey, 5x0.34mm ² | 21348400585XXX |
| Type of cable | Part no. |

| | | | | | | | | | | | | |
|--|---------------------|---------|---|-----------------------|--|--|----------------------------------|--|-----------------|--|---------------------|--|
| | All rights reserved | | Created by COSTEA Costea | | Inspected by STOCECIC Stoceci | | Standardisation MUNTEANV Muntean | | Date 2018-12-17 | | State Final Release | |
| | Department HCS - RO | | Title M12 Cable Assembly A-cod st/- m/- | | Doc-Key / ECM-Nr. 100578838/UGD/009/C 500000144899 | | Rev. C | | Page 1/1 | | | |
| HARTING Customised Solutions D-32339 Espelkamp | | Type TB | | Number 21348400585XXX | | | | | | | | |