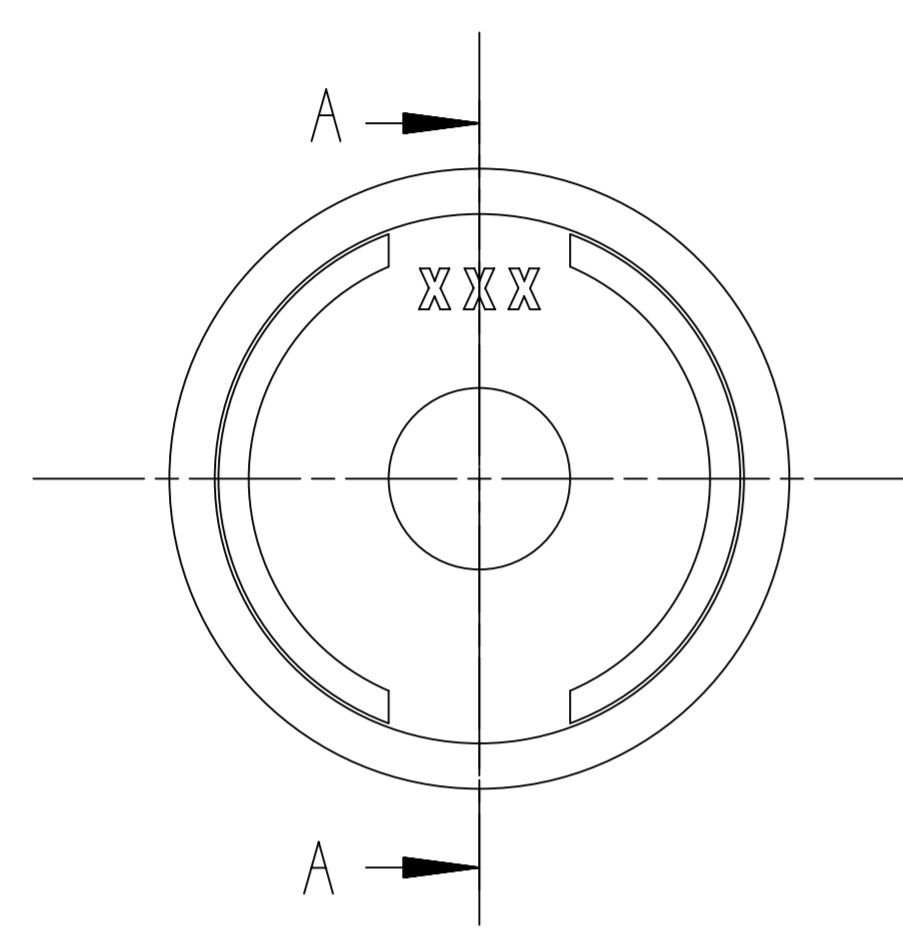
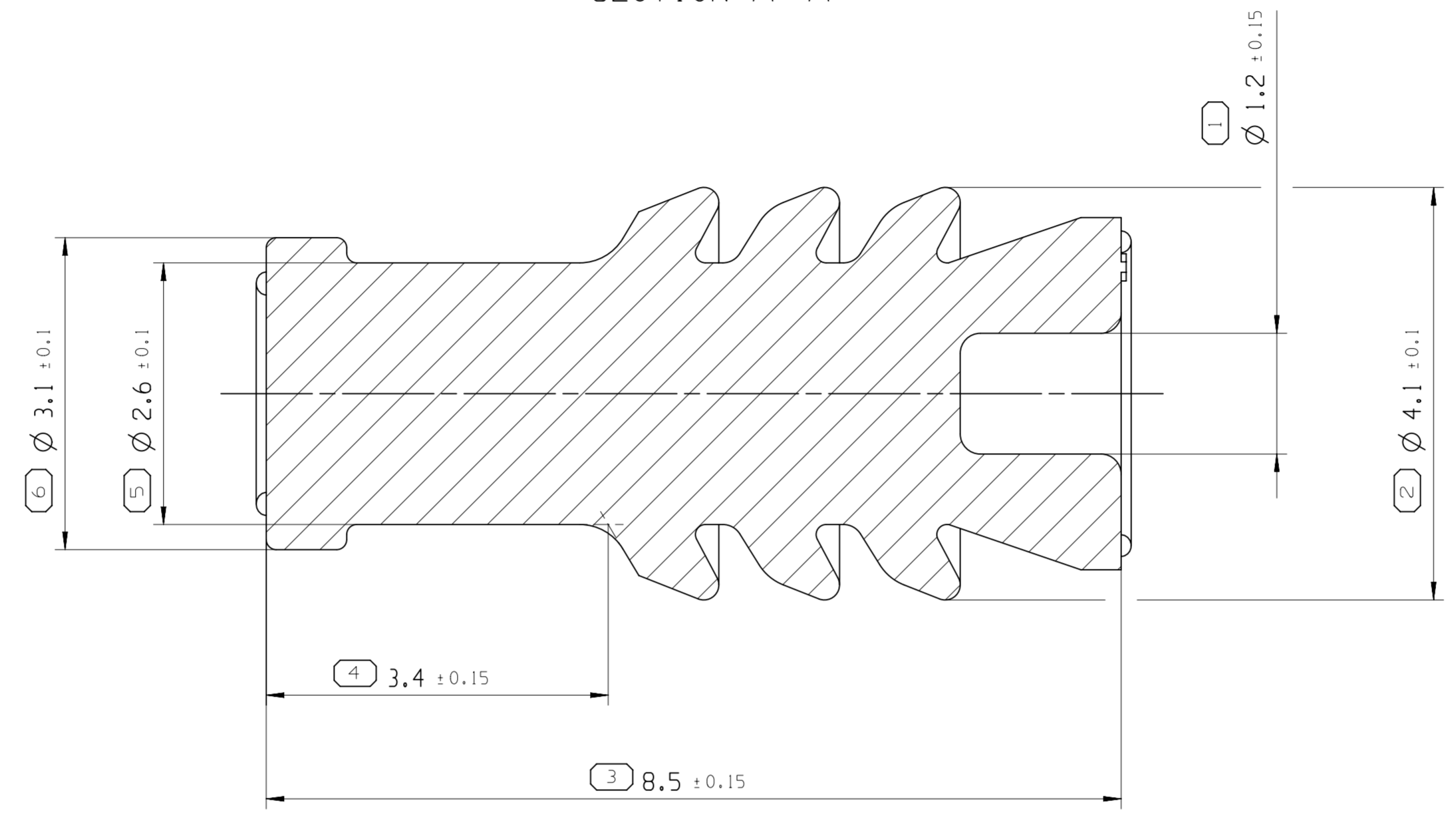


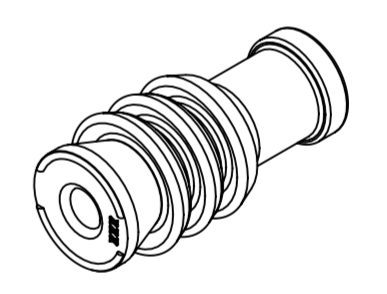
DWG STATUS				REVISION HISTORY				AUTH	DR	APVD 1	APVD 2
DATE	STG	REV	N/P/CHG	ZONE							
24JUN22	R	01							R.SUR	B.TH	B.TH
11OCT22	R	02							R.SUR	B.TH	B.TH



SECTION A - A



SCALE / MASSSTAB:  
5:1

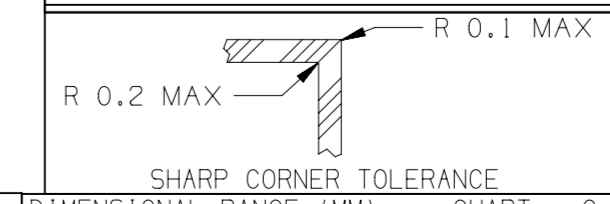


DWG TYP	PART DRAWING
WEIGHT (GR)	SEE TABLE
VOLUME (CM <sup>3</sup> )	SEE TABLE
ROUTING	-
DISTR CODE	D

NOTES	
1	NOT DIMENSIONED GEOMETRY HAS TO BE TAKEN FROM THE CORRESPONDING 3D DATA FILE
2	MATERIAL SPECIFICATION: SILICONE
3	TENSILE STRENGTH : RM MIN 6.2 N/MM <sup>2</sup>
4	ELONGATION : MIN. 375% DIN 53504-S2
5	DUROMETER ORIGINAL: SHORE (A) 60± 5 DIN53505

UNLESS OTHERWISE SPECIFIED  
GENERAL TOLERANCES ACCORDING TO:  
SEE CHART  
GD&T ACCORDING TO:  
ISO 1101

A LINE DRAWN THROUGH A PART NUMBER INDICATES THAT PHYSICAL PARTS ARE NOT AVAILABLE FOR ORDERING.  
PART NUMBERS THAT DO NOT HAVE A LINE PRESENT INDICATE THAT PHYSICAL PARTS ARE AVAILABLE FOR ORDERING.  
CONTACT APTIV SALES TO ASSURE AVAILABILITY OF PARTS.



DIM TO CHECK	FROM	TO	TOLERANCE
( ) DIM FOR HELP	> 0	> 25	> 60
THEORETIC DIM	25	60	80
	±0.3	±0.5	±0.6
			±0.75%
			ANGULAR TOLERANCE ±2°

REFERENCE  
FIRST ANGLE PROJECTION  
DO NOT SCALE  
USE MATH DATA

**• APTIV •**  
CONNECTION SYSTEMS  
Chennai, India  
COPYRIGHT 2022 APTIV. ALL RIGHTS RESERVED.  
THIS DRAWING IS THE PROPERTY OF APTIV AND CONTAINS APTIV CONFIDENTIAL INFORMATION. THE REPRODUCTION, DISTRIBUTION AND UTILIZATION OF THIS DOCUMENT OR ITS RELATED CAD MATH DATA, AS WELL AS COMMUNICATION OF ANY CONTENT TO OTHERS, WITHOUT EXPRESS AUTHORIZATION, IS PROHIBITED.

DR	SURESHKUMAR R	DATE	24JUN22
APVD1	THOMAS B		24JUN22
APVD2	THOMAS B		24JUN22
APVD3			
APVD4			
APVD5			

SUBSTANCES OF CONCERN AND RECYCLED CONTENT PER APTIV 10949001  
MATERIAL  
SEE CHART

DRAWING NAME  
SEAL CBL IW CAVITY PLUG

SIZE	A1	SCALE	20:1	FRAME NO	1 OF 1	SHEET NO	1 OF 1	STG	R	REV	02	N/P	--
------	----	-------	------	----------	--------	----------	--------	-----	---	-----	----	-----	----

SL. NO.	TITLE	CAVITY DIAMETER Ø	PART-NO.	PART-REV	WEIGHT GR	VOLUME CM <sup>3</sup>	MATERIAL	COLOR	SIM.TO RAL	MATERIAL SPEC.
1	CAVITY PLUG	3.6 ± 0.1	13887353	01	0.073	0.065	SILICONE 60 SHORE	BLUE	5005	M5778000
			CAVITY PLUG							