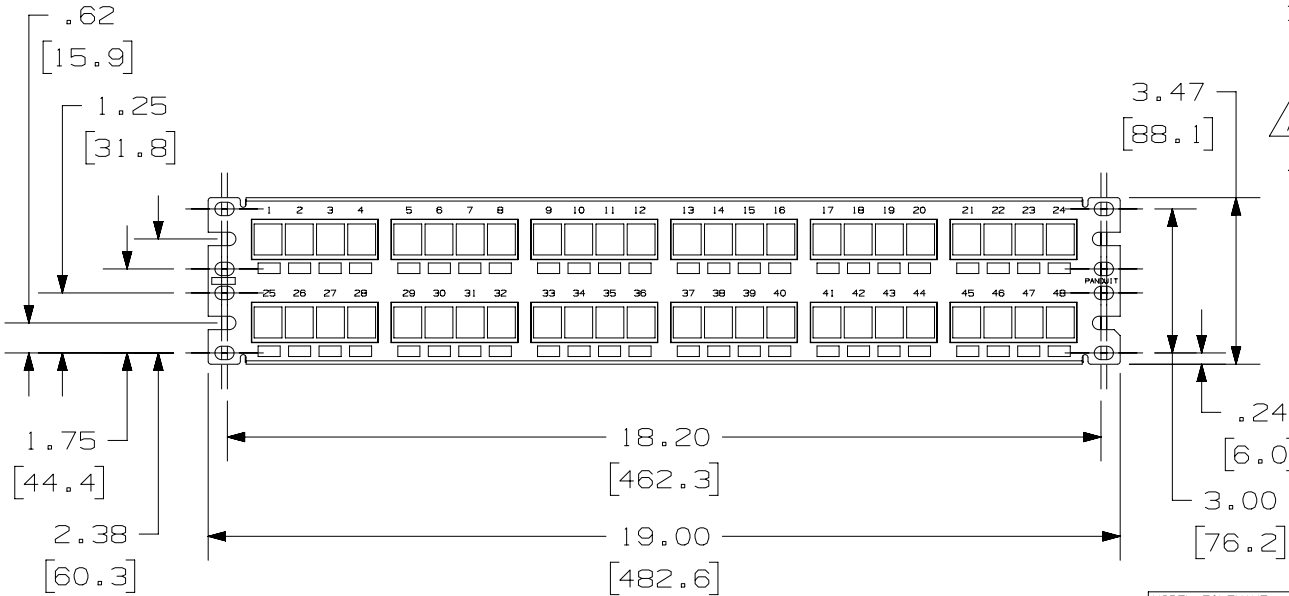
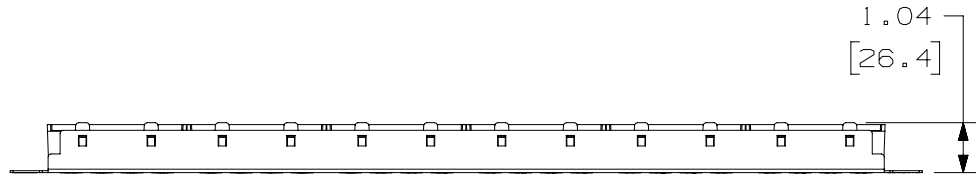
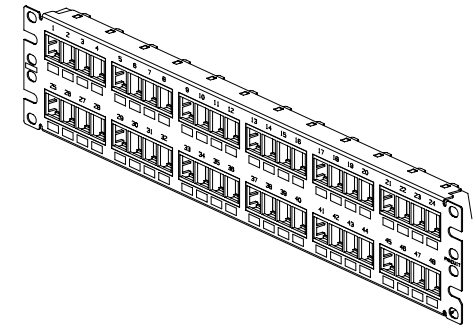


THIS COPY IS PROVIDED ON A RESTRICTED BASIS AND IS NOT TO BE USED IN ANY WAY DETRIMENTAL TO THE INTERESTS OF PANDUIT CORP.

PANDUIT P/N	WEIGHT
NKPP48FMY	11.3 LB/10 PCS (5128.7 g/10 PCS)



- NOTES:
- SEE CURRENT CATALOG FOR VARIOUS APPLICATIONS WITH THIS WIRING SYSTEM.
 - THE FLUSH MOUNT PATCH PANEL IS DESIGNED FOR MOUNTING TO 19" UNIVERSAL RACKS.
 - PACKAGE CONTENTS:
 - (1) -48 PORT STAMPING
 - (6) -8 POSITION FACEPLATE (ASSEMBLED TO PANEL)
 - (1) -SCREW KIT (INCLUDES FOUR #12-24 SCREWS)
 - DIMENSIONS IN PARENTHESIS ARE IN METRIC.



MODEL FILENAME	M02479DS/02.PRT	SIZE	A
DRAWING FILENAME	M02479DS_DC99_02A.PRT		

NETKEY 48 PORT FLUSH MOUNT
MODULAR PATCH PANEL CUSTOMER DRAWING

<p>PANDUITTM CORP. TINLEY PARK, ILL 60477</p>	I.T. NUMBER	N/A
	PRODUCT SPEC	N/A
<p>THIRD ANGLE PROJECTION</p>	WORK INSTRUCTION	N/A
	SCALE	NONE
<p>ALL DIMENSIONS ARE GIVEN IN INCHES, UNLESS OTHERWISE SPECIFIED.</p> <p>DIMENSIONAL TOLERANCES ARE: (.X) ± (.XXX) ± .010(.3) (.XX) ±.03(.8) ANGLES ±</p>	PART NO.	NKPP48FMY
<p>DRAWN BY: JsP</p> <p>DATE: 4-19-06</p> <p>CHK'D</p>	DRAWING NO.	02479-099

REV	DATE	BY	CHK	DESCRIPTION	ECN	R	CUST	SUP	OTH
1	11-8-18	BAME	KRKE	A. REMOVED METRIC SCREWS	02479-099				
R	4-19-06	JsP		RELEASED TO PRODUCTION	02479-099				