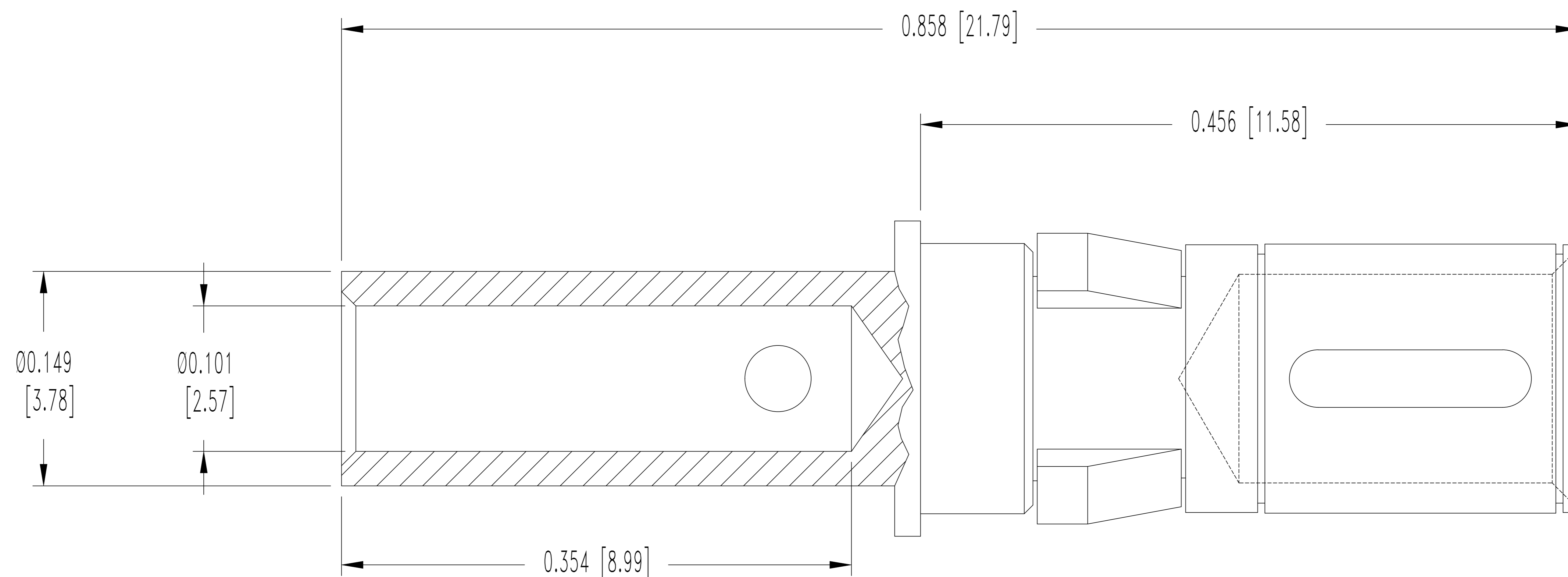


SK5743

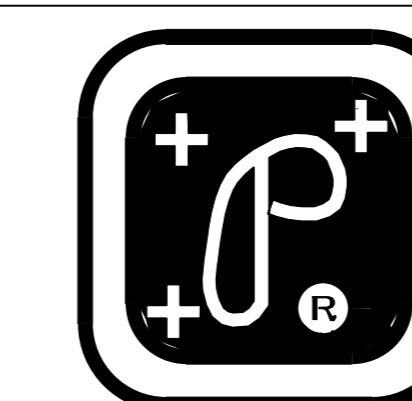
THIS DRAWING CONTAINS INFORMATION PROPRIETARY TO POSITRONIC AND ITS SUBSIDIARIES. POSITRONIC BELIEVES THE DATA ON THIS DRAWING TO BE RELIABLE, SINCE THE TECHNICAL INFORMATION IS GIVEN FREE OF CHARGE, THE USER EMPLOYS SUCH INFORMATION AT HIS OWN DISCRETION AND RISK. POSITRONIC ASSUMES NO RESPONSIBILITY FOR RESULTS OBTAINED OR DAMAGES INCURRED FROM USE OF SUCH INFORMATION IN WHOLE OR IN PART.

DATE	REV	REVISION RECORD	APP	DR	CK
10-15-04	NC	ECO 23140	RW	YK	COLE
3-26-10	A	ECO 32294	COLE	BE	SY



NOTES:

1. MATERIAL AND FINISH: HIGH CONDUCTIVITY COPPER ALLOY, 0.000050 [1.27 μ] GOLD OVER COPPER.
2. DETAILED PRODUCT, ELECTRICAL, AND MECHANICAL INFORMATION IS AVAILABLE IN THE LATEST STANDARD DENSITY COMBO-D PRODUCT PUBLICATION. VISIT CONNECTPOSITRONIC.COM/PRODUCTS/1/STANDARD DENSITY COMBO-D OR CONNECTPOSITRONIC.COM.
3. DIMENSIONS ARE IN INCHES [MILLIMETERS].



POSITRONIC INDUSTRIES INC.
 SPRINGFIELD, MISSOURI 65801

 DECIMAL TOL. $\pm 0.015 [0.38]$	CBD SERIES	SCALE N.T.S.	DRAWN BY YK
	TITLE FC4012M		APPROVED BY RW
 ANGULAR TOL. $\pm N/A$	DATE 10-15-04	DRAWING NUMBER SK5743	REV. A