

4

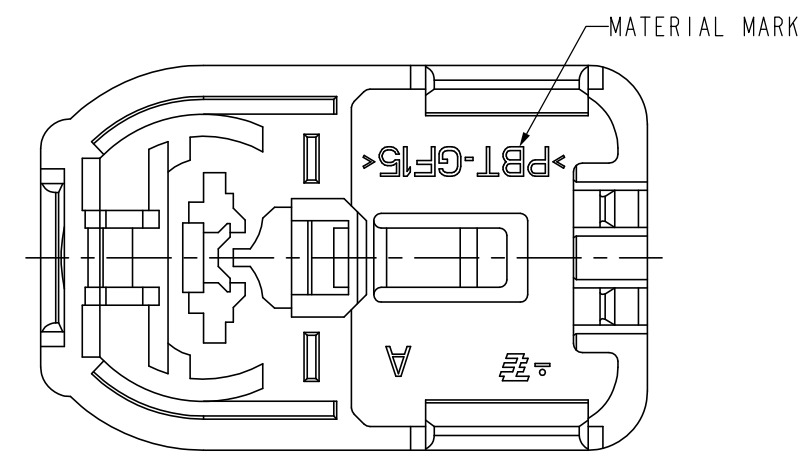
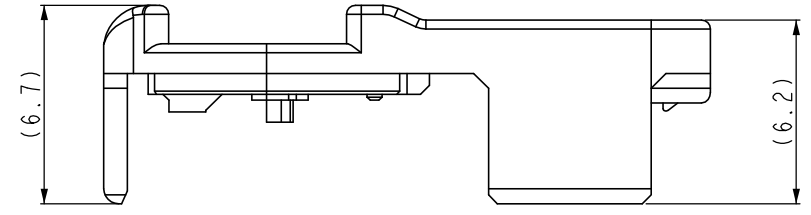
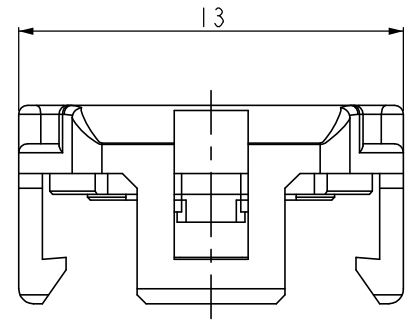
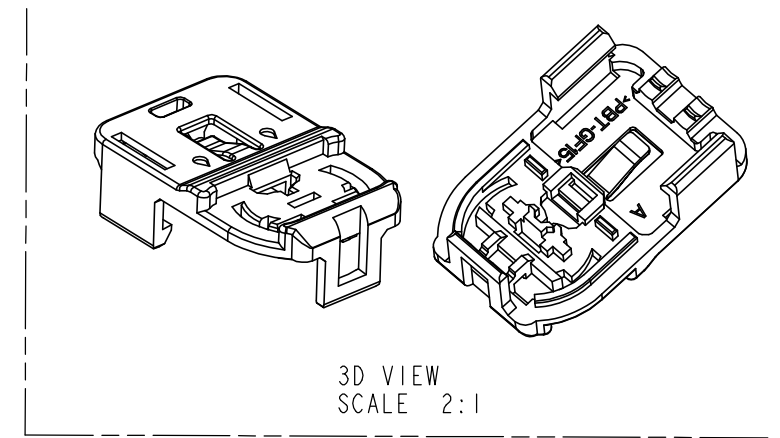
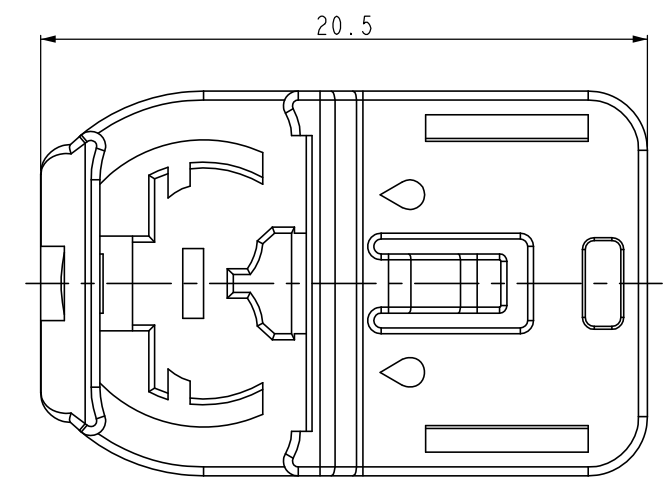
3

2

1

THIS DRAWING IS UNPUBLISHED. RELEASED FOR PUBLICATION
 © COPYRIGHT 19 BY TYCO ELECTRONICS CORPORATION. ALL INTERNATIONAL RIGHTS RESERVED.

LOC	DIST	REVISIONS			
P	LTR	DESCRIPTION	DATE	DWN	APVD
DS	-	A	RELEASED	20.OCT.'10	KT HG



- NOTE
- GENERAL TOLERANCE: ± 0.3 , $\pm 3^\circ$
 - APPLICABLE SQUIB AK-11 PLUG HSG P/N: 2005510-X

YELLOW	PBT-GF15	COVER HSG FOR SQUIB AK-11	2005511-5
COLOR	MATERIAL	DESCRIPTION	P/N

<small>THIS DRAWING IS A CONTROLLED DOCUMENT FOR TYCO ELECTRONICS CORPORATION IT IS SUBJECT TO CHANGE AND THE CONTROLLING ENGINEERING ORGANIZATION SHOULD BE CONTACTED FOR THE LATEST REVISION.</small>		DWN KT JUNG	Tyco Electronics Kyungsan, Korea	
DIMENSIONS: mm		CHK KT LIM	NAME	
		APVD HG CHO	COVER HSG FOR SQUIB AK-11 CONNECTOR	
TOLERANCES UNLESS OTHERWISE SPECIFIED: 0 PLC \pm 1 PLC \pm 2 PLC \pm 3 PLC \pm 4 PLC \pm ANGLES \pm		PRODUCT SPEC -	RESTRICTED TO	
MATERIAL -		APPLICATION SPEC -	SIZE A3	CAGE CODE 00779
FINISH -		WEIGHT -	DRAWING NO C-2005511	REV A
CUSTOMER DRAWING			SCALE 4:1	SHEET 1 OF 1