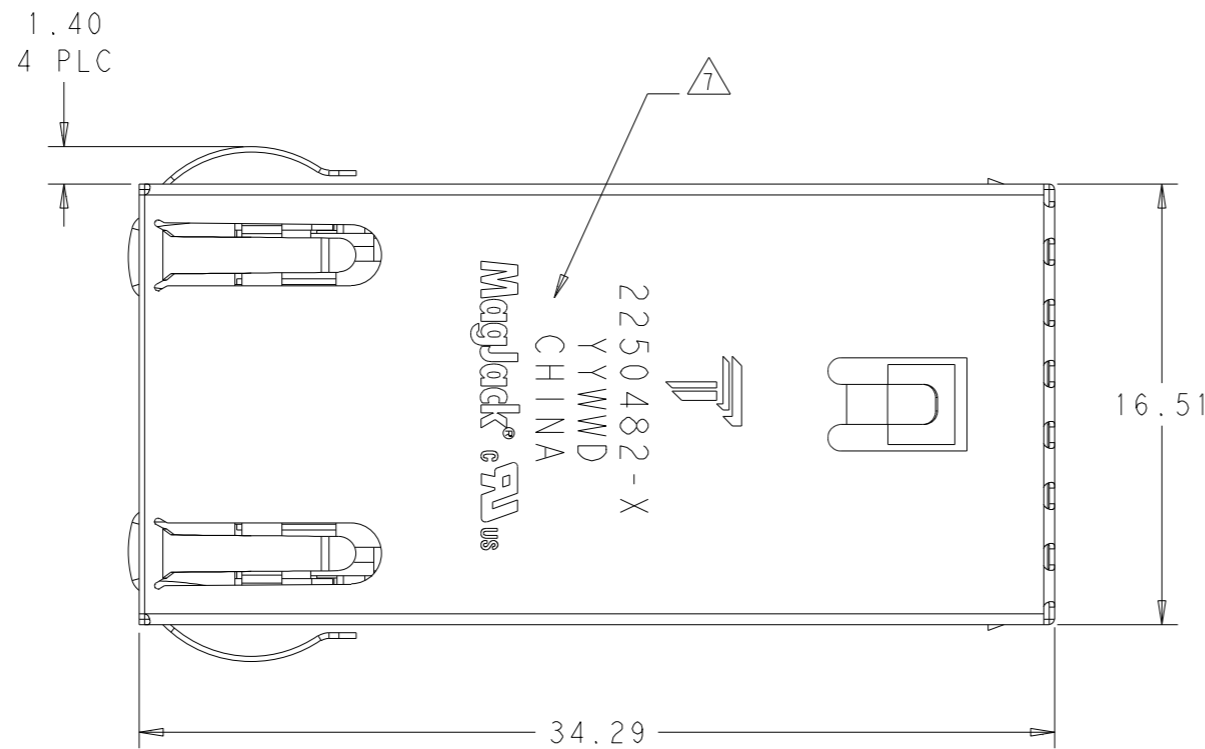
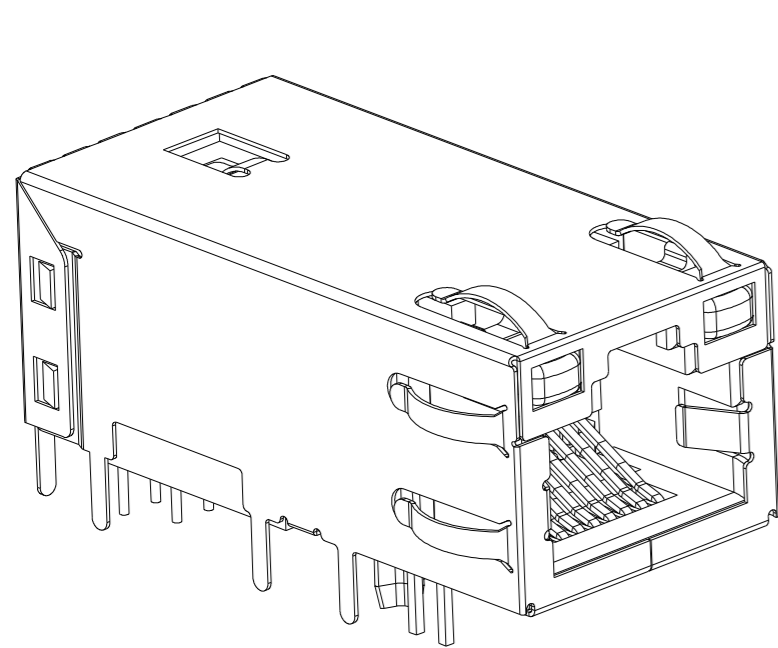


THIS DRAWING AND THE SUBJECT MATTER SHOWN THEREON ARE CONFIDENTIAL AND THE PROPERTY OF BEL/STEWART/TRP CONNECTOR AND SHALL NOT BE REPRODUCED, COPIED, OR USED IN ANY MANNER WITHOUT THE WRITTEN CONSENT OF TRP CONNECTOR.

PRODUCT MAY BE PROTECTED BY ONE OR MORE OF THE FOLLOWING US PATENTS:  
 5736910 5939955 6425781 6428361 6554638 6840817 7123117  
 7429195 7717749 7808751 6217391 6149050 7924130

REVISIONS				
#	LT#	DESCRIPTION	DATE	DWN APVD
1		INITIAL RELEASE	22DEC2016	DP TY



1. MATERIALS:
- HOUSING: THERMOPLASTIC, FLAMMABILITY, RATING UL 94V-0.
  - SHIELD: 0.20mm THICK, COPPER BASE ALLOY PREPLATED WITH 0.76um MIN BRIGHT NICKEL; ALL GROUND LEADS ARE SOLDER DIPPED.
  - MOD JACK CONTACTS: 0.3mm THICK, PHOSPHOR BRONZE, 1.27um MIN OVERALL NICKEL UNDERPLATE, WITH 1.27um MIN LOCALIZED GOLD PLATE AT CONTACT INTERFACE.
  - LIGHT EMITTING DIODE (LED): DIFFUSED EPOXY LENS, 0.5mm X 0.5mm CARBON STEEL WIREFRAME LEADS PREPLATED WITH 2.03um MIN. SILVER PLATE OVER 1.02um MIN. NICKEL OVER 1.02um MIN. COPPER UNDERPLATE; LEADS POST-PLATED WITH 2.54um MIN. MATTE TIN, AND TIP TIN DIPPING.

2. MAGNETICS:
- APPLICATION: 1G/10G BASE-T,
  - IMPEDANCE: 100 OHMS
  - TURNS RATIO (CHIP:CABLE): 1:1 ALL FOUR PAIRS
  - OPEN CIRCUIT INDUCTANCE (OCL): 160uH MIN @ 100kHz, 0.1VRMS FROM 0°C TO 70°C, ALL FOUR PAIRS
  - ALL FOUR PAIRS BI-DIRECTIONAL
  - PERFORMANCE @ 25°C: PLEASE REFER TO SEPERATE SHEET.
  - ISOLATION VOLTAGE: 2250VDC FOR 60 SECONDS WITH A RISE TIME OF 500V/SEC.

3. OPERATING TEMPERATURE: FROM 0°C TO 70°C

4. RJ45 JACK CAVITY CONFORMS TO FCC RULES AND REGULATIONS PART 68, SUB-PART F.

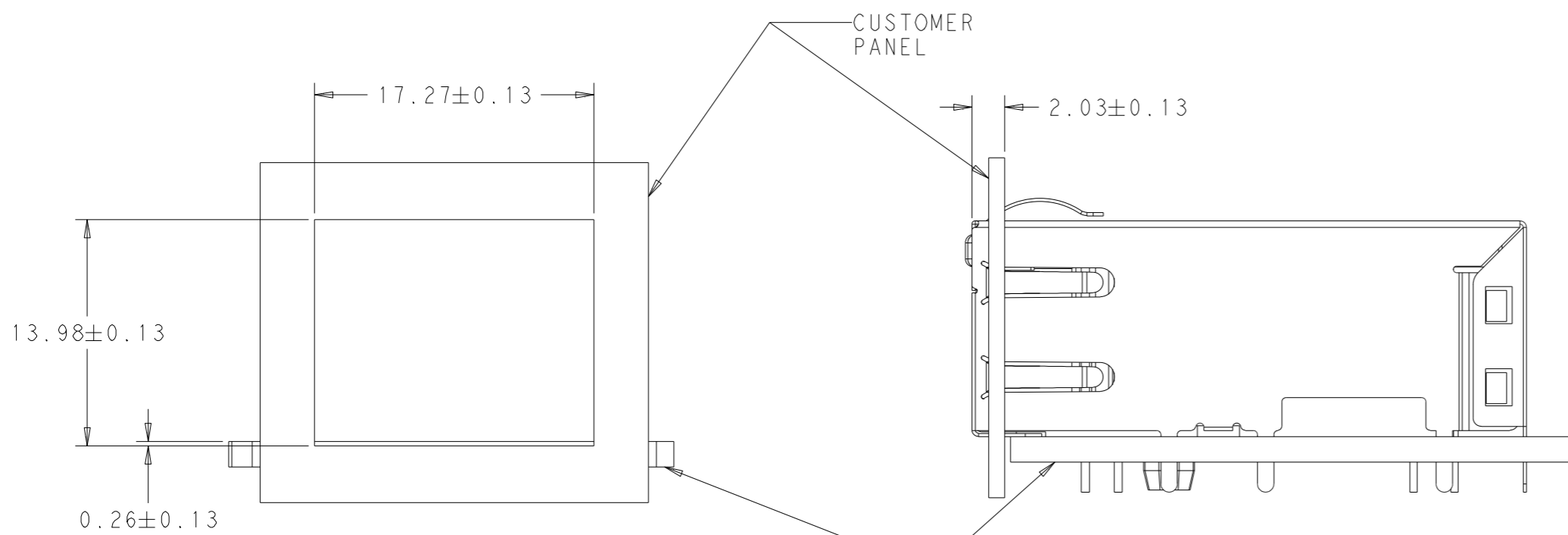
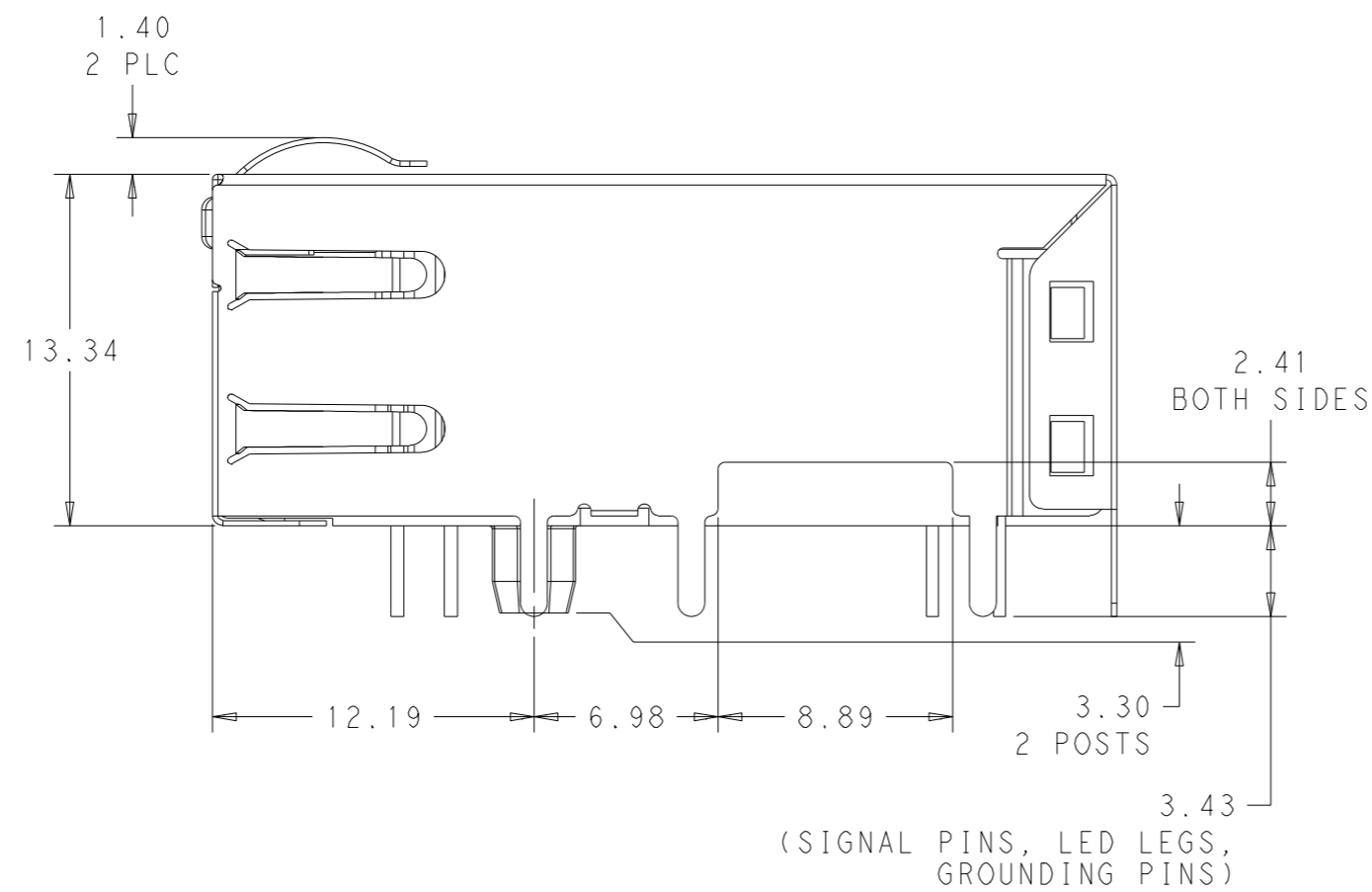
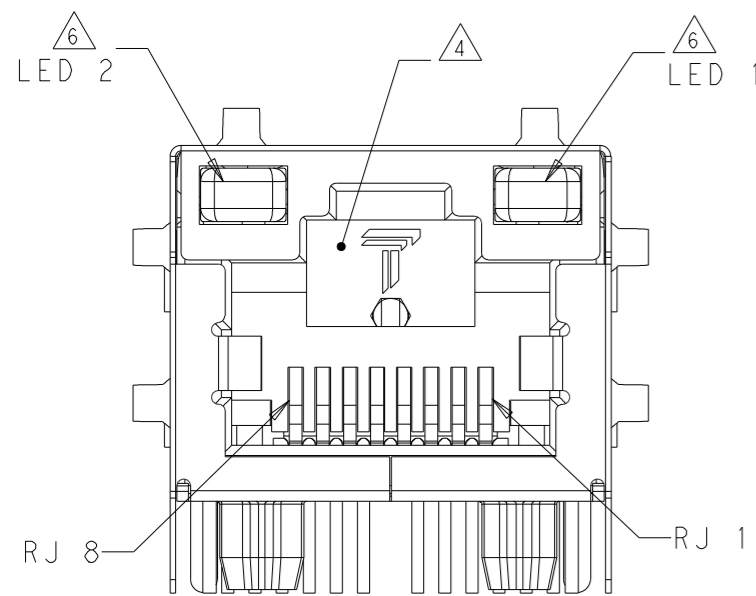
5. ALL DIMENSIONS ARE NOMINAL UNLESS OTHERWISE NOTED.

6. LED IS DRIVEN WITH CONSTANT CURRENT AT APPROX 20mA.  
 LED COLOR: DOMINANT WAVELENGTH (λD): GREEN 568 nm TYP. @ IF=20mA  
 FORWARD VOLTAGE (VF): GREEN 2.2V TYP. @ IF=20mA  
 DOMINANT WAVELENGTH (λD): YELLOW 588 nm TYP. @ IF=20mA  
 FORWARD VOLTAGE (VF): YELLOW 2.1V TYP. @ IF=20mA

7. TRP CONNECTOR LOGO, PART NUMBER, DATE CODE, COUNTRY OF ORIGIN, AND AGENCY APPROVAL MARKING IN APPROXIMATE LOCATION SHOWN, DATE CODE: YYWW WHERE YY IS YEAR, WW IS WORK WEEK, D IS DAY OF WEEK, WITH SUNDAY=1.

8. DATUM Y AND BASIC DIMENSION ESTABLISH BY CUSTOMER.

9. PART SHOULD BE RECOMMENDED FOR WAVE SOLDERING PROCESS, PEAK WAVE SOLDERING TEMPERATURE IS 260°C MAX, 10 SECONDS MAX.




SUGGESTED PANEL CUTOUT

SIDE VIEW, SHOWN WITH CUSTOMER PCB AND PANEL

THIS DRAWING IS A CONTROLLED DOCUMENT. AND COMPLIANT TO ASME Y14.5M		DWN: DALE PAN/ FRANK LIU 22DEC2016	2250482-1
DIMENSIONS: mm		CHK: TOWER YU/ BILL LIU 22DEC2016	LED 2
TOLERANCES UNLESS OTHERWISE SPECIFIED:		APVD: TONY YUAN 22DEC2016	LED 1
0 PLC ±0.25		MODEL NAME	PART NUMBER
1 PLC ±0.25		MAGJACK	
2 PLC ±0.25		DESC	
3 PLC ±0.25		IX1 7TGXXX 10G TAB UP, W/ LEDS	
4 PLC ±		SIZE	
ANGLES ±		CAGE CODE	
APPLICATION SPEC		DRAWING NO	
		RESTRICTED TO	
		SINGLE NON-POE	
		A 1	
		C=2250482	
		CUSTOMER DRAWING	
		SCALE	5:1
		SHEET	1 OF 3
		REV	



2250482					STOCK DISPOSITION			
-					A:CONTINUE AS IS		D:USE OLD FIRST	
REVISION HISTORY					B:REWORK		E:PARTS TO CONFORM	
C:SCRAP					F:OTHER			
DATE	REV	CHANGE	REASON	APPROVAL	INVENTORY (A,B,C,D,E,F)	WORK IN PROCESS (A,B,C,D)	SUPPLIER ORDERS (A,E,F)	OPEN CUST ORDERS (A,E,F)
22DEC2016	1	-	INITIAL RELEASE	TONY YUAN	-	-	-	-

THIS DRAWING IS A CONTROLLED DOCUMENT. AND COMPLIANT TO ASME Y14.5M		DWN 22DEC2016 DALE PAN/ FRANK LIU		 <b>trp</b> CONNECTOR a bel group	DONGGUAN CHINA
DIMENSIONS: mm		CHK 22DEC2016 TOWER YU/ BILL LIU			
TOLERANCES UNLESS OTHERWISE SPECIFIED:		APPROV 22DEC2016 TONY YUAN		MODEL NAME MAGJACK	
0 PLC ±0.25 1 PLC ±0.25 2 PLC ±0.25 3 PLC ±0.25 4 PLC ±0.25 ANGLES ±°		DESC IXI 7TGXXXX 10G TAB UP, W/ LEDS		SIZE CAGE CODE DRAWING NO RESTRICTED TO	
PRODUCT SPEC		APPLICATION SPEC		A 1 ©=2250482	
-		-		CUSTOMER DRAWING SCALE 5:1 SHEET 3 OF 3 REV 1	