

SF-20KP004 - Crimp contact



1607376

<https://www.phoenixcontact.com/us/products/1607376>

Please be informed that the data shown in this PDF document is generated from our online catalog. Please find the complete data in the user documentation. Our general terms of use for downloads are valid.



Crimp contact, Pin, turned, contact diameter: 2 mm, crimp range: 0.75 mm² ... 1.5 mm², Alternative product in accordance with RoHS II without Exemption 6c (Pb < 0.1 %) item no.: 1241953

Your advantages

- Crimping connection: vibration- and temperature-resistant assembly
- High tensile strength of the connection
- Low contact resistance
- Easy production monitoring

Commercial data

Item number	1607376
Packing unit	50 pc
Minimum order quantity	50 pc
Sales key	AB36
Product key	ABREAG
Catalog page	Page 160 (C-2-2019)
GTIN	4046356316187
Weight per piece (including packing)	0.886 g
Weight per piece (excluding packing)	0.886 g
Customs tariff number	85366990
Country of origin	DE

SF-20KP004 - Crimp contact



1607376

<https://www.phoenixcontact.com/us/products/1607376>

Technical data

Product properties

Product type	Crimp contact
Contact material type	turned

Connection data

Connection method	Crimp connection
Contact connection type	Pin
Conductor cross section	0.75 mm ² ... 1.5 mm ²

Material specifications

Contact surface	Nickel-plated (Ni), with gold coating (Au)
Contact material	CuZn

Dimensions

Mechanical characteristics

Contact diameter	2 mm
------------------	------

Mechanical properties

Mechanical data

Insertion/withdrawal cycles	100
-----------------------------	-----

SF-20KP004 - Crimp contact

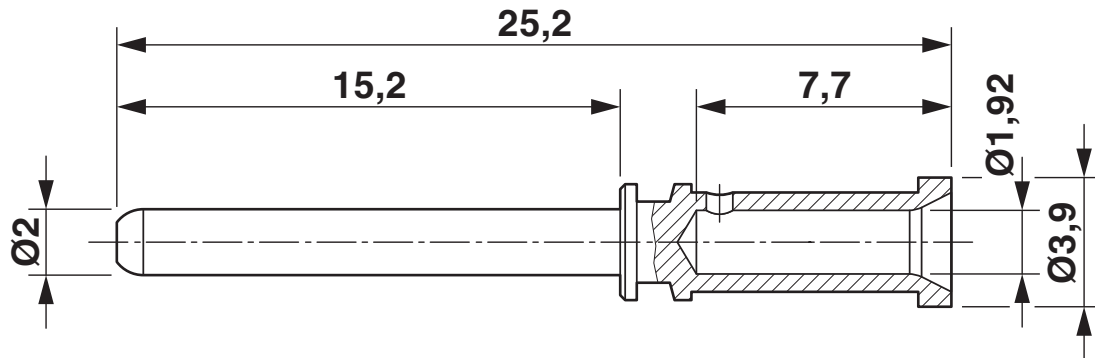
1607376

<https://www.phoenixcontact.com/us/products/1607376>



Drawings

Dimensional drawing



Dimensional drawing

SF-20KP004 - Crimp contact



1607376

<https://www.phoenixcontact.com/us/products/1607376>

Classifications

ECLASS

ECLASS-11.0	27440204
ECLASS-12.0	27440204
ECLASS-13.0	27440204

ETIM

ETIM 9.0	EC000796
----------	----------

UNSPSC

UNSPSC 21.0	39121500
-------------	----------

SF-20KP004 - Crimp contact



1607376

<https://www.phoenixcontact.com/us/products/1607376>

Environmental product compliance

EU RoHS

Fulfills EU RoHS substance requirements	Yes
Exemption	6(c)

China RoHS

Environment friendly use period (EFUP)	EFUP-50
	An article-related China RoHS declaration table can be found in the download area for the respective article under "Manufacturer declaration". For all articles with EFUP-E, no China RoHS declaration table issued and required.

EU REACH SVHC

REACH candidate substance (CAS No.)	Lead(CAS: 7439-92-1)
SCIP	e5eddb90-1455-482e-ae0f-7575787d011a

SF-20KP004 - Crimp contact

1607376

<https://www.phoenixcontact.com/us/products/1607376>



Accessories

CRIMPTOOL-TC/0,08...6,00QMM - Crimping pliers with digital display

1634153

<https://www.phoenixcontact.com/us/products/1634153>



Crimping pliers for turned crimp contacts \varnothing 1 mm/ \varnothing 1.5 mm/ \varnothing 1.6 mm/ \varnothing 2 mm/ \varnothing 3.6 mm, litz wire cross-section: 0.08 mm² ... 6 mm²

Phoenix Contact 2024 © - all rights reserved
<https://www.phoenixcontact.com>

Phoenix Contact USA
586 Fulling Mill Road
Middletown, PA 17057, United States
(+717) 944-1300
info@phoenixcon.com